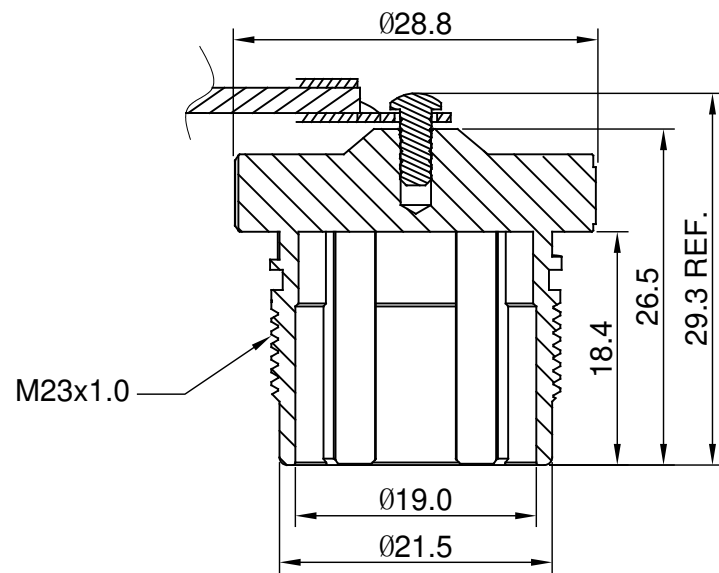
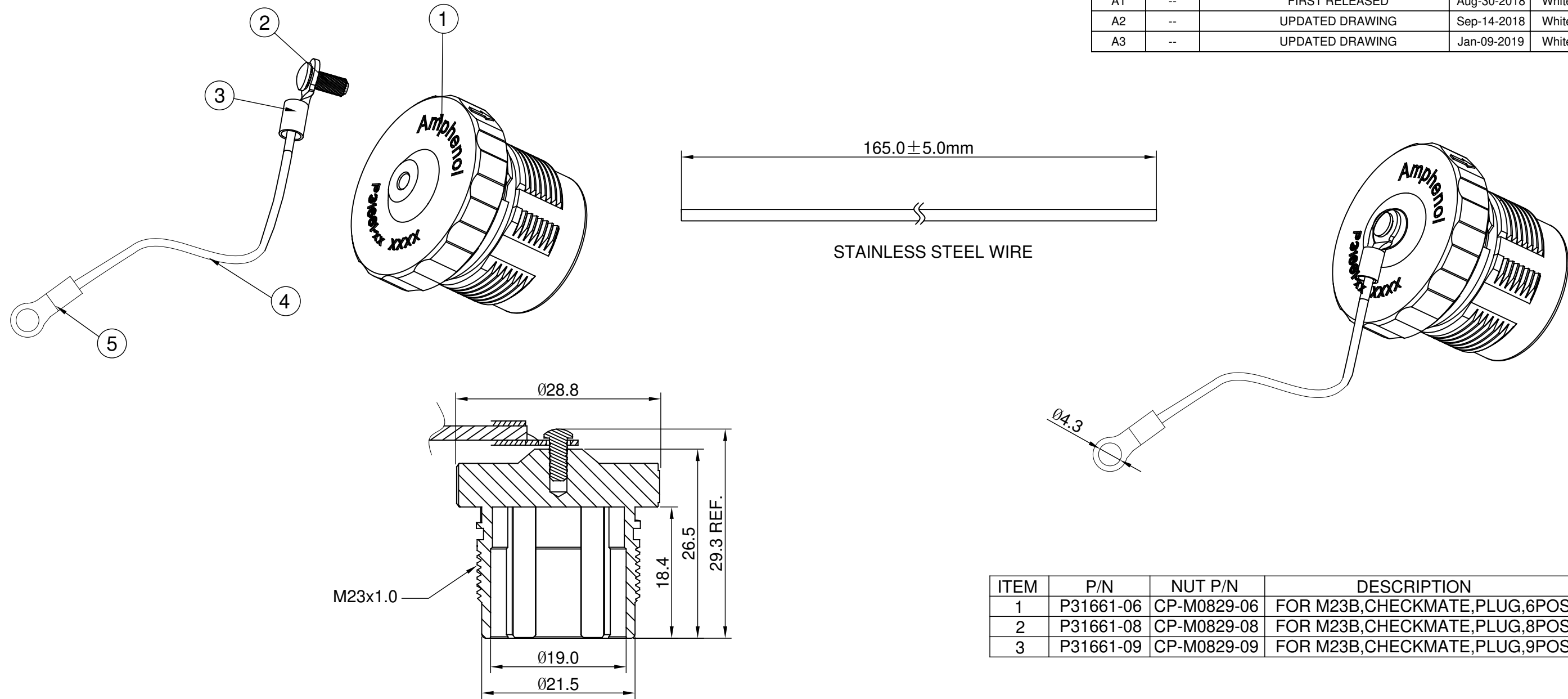


| REVISIONS | | | | | |
|-----------|-----|-----------------|-------------|-------|-------|
| REV | ECO | DESCRIPTION | DATE | BY | APPR |
| A1 | -- | FIRST RELEASED | Aug-30-2018 | White | Tommy |
| A2 | -- | UPDATED DRAWING | Sep-14-2018 | White | Tommy |
| A3 | -- | UPDATED DRAWING | Jan-09-2019 | White | Tommy |



| ITEM | P/N | NUT P/N | DESCRIPTION |
|------|-----------|-------------|------------------------------|
| 1 | P31661-06 | CP-M0829-06 | FOR M23B,CHECKMATE,PLUG,6POS |
| 2 | P31661-08 | CP-M0829-08 | FOR M23B,CHECKMATE,PLUG,8POS |
| 3 | P31661-09 | CP-M0829-09 | FOR M23B,CHECKMATE,PLUG,9POS |

| 1 | RRNBL14 | RING TERMIANL M4 | 5 |
|----------|--------------------|----------------------|------|
| 165mm | RM0061 | STAINLESS STEEL WIRE | 4 |
| 1 | RSC000021 | RING TERMIANL M3 | 3 |
| 1 | RM0084 | RIVET,F2.5*6.35 | 2 |
| 1 | SEE TABLE(NUT P/N) | METAL COUPLING NUT | 1 |
| QUANTITY | PART NUMBER | DESCRIPTION | ITEM |

NOTES : (UNLESS OTHERWISE SPECIFIED)

1. MATERIAL :

NUT : ZINC DIE CAST, NICKEL PLATED.
RIVET : STAINLESS STEEL.
WIRE : STAINLESS STEEL.

2. SPECIFICATIONS :

2.1 MATING CYCLES DURABILITY : 500 CYCLES MIN.
2.2 IP--CLASS : IP67 (IN MATED CONDITION)
2.3 RoHS COMPLIANT.

3. ALL DIMENSIONS ARE FOR REFERENCE USE ONLY.

| MATERIALS LIST | | | |
|--|------|--|-------------|
| UNLESS OTHERWISE SPECIFIED | | SIGNATURES | DATE |
| 1) All dimensions are in metric(mm). 2) Tolerances are as follows: 1 PL DEC ±0.30 2 PL DEC ±0.15 3 PL DEC ±0.08 | | White | Jan-09-2019 |
| 3) Note reference = | | Tod | Jan-09-2019 |
| MATERIAL SPECIFICATIONS: | | ENGINEER: | |
| PROCESS SPECIFICATIONS: | | APPROVAL: Tommy | Jan-09-2019 |
| NEXT ASSY: | | CUSTOMER: | |
| THIS DRAWING IS SUPPLIED FOR INFORMATION ONLY. DESIGN FEATURES, SPECIFICATIONS AND PERFORMANCE DATA SHOWN HEREON ARE THE PROPERTY OF THE AMPHENOL CORPORATION. NO RIGHTS OF REPRODUCTION ARE IMPLIED. ALL DIMENSIONS ARE SUBJECT TO NORMAL MANUFACTURING VARIATIONS. | | <p style="text-align: center;">Amphenol</p> <p>Sine Systems - www.amphenol-sine.com 44724 Morley Drive Clinton Township, MI 48036</p> <p style="text-align: center;">DUST CAP FOR M23B CHECKMATE PLUG</p> | |
| SIZE | TYPE | DWG NO. | REVISION |
| B | C- | P31661-XX | A3 |
| SCALE: | NONE | SHEET | 1 OF 1 |

TITLE: DUST CAP FOR M23B CHECKMATE PLUG

DWG NO:

P31661-XX

REV: A3

SH: 1

OF: 1