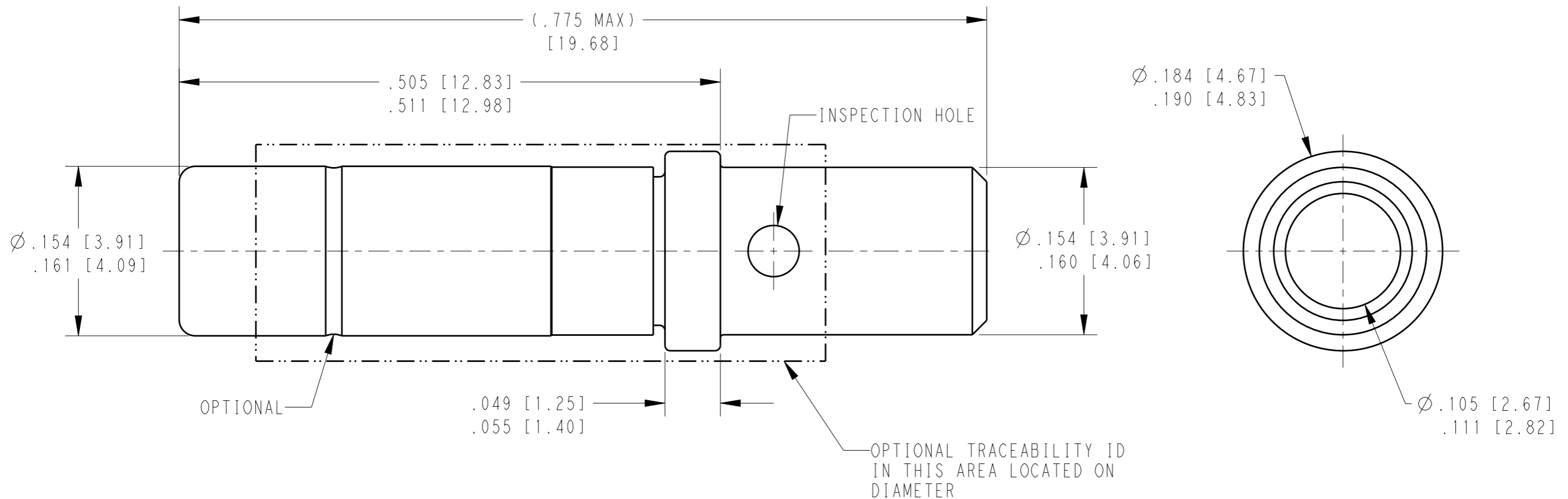



THIS DRAWING IS UNPUBLISHED
 RELEASED FOR PUBLICATION 2018
 © COPYRIGHT 1997 BY TE CONNECTIVITY ALL RIGHTS RESERVED.

REVISIONS					
P	LTR	DESCRIPTION	DATE	DWN	APVD
	NC	NEW RELEASE PER E.O P15504	22FEB2007	-	RDR
	A	NEW RELEASE PER E.O. P20205	04JUN2009	DM	RDR
	B	REVISED PER E-18-001206	24JAN2018	JA	DM
	B1	REVISED PER PCN E-19-018080	19NOV2019	MK	DM



TE INTERNAL PN	DEUTSCH PN	PLATING
0462-203-1231	0462-203-1231	GOLD
0462-203-12141	0462-203-12141	NICKEL

THIS DRAWING IS A CONTROLLED DOCUMENT.		DWN D. MEYER 16DEC1997	 TE Connectivity	
DIMENSIONS: INCHES [mm]		CHK M. GONZALES 03JUN2009		
TOLERANCES UNLESS OTHERWISE SPECIFIED:		APVD R. REED 04JUN2009	NAME CONTACT SOCKET SIZE 12	
0 PLC ± 1 PLC ± 2 PLC ± 3 PLC ± 4 PLC ± ANGLES ±		PRODUCT SPEC 108-151004	RESTRICTED TO	
MATERIAL		APPLICATION SPEC 114-151004	SIZE A3	CAGE CODE 4AFU8
FINISH		WEIGHT 1.27g	DRAWING NO 0462-203-12XX	
		CUSTOMER DRAWING	SCALE 10:1	SHEET 1 OF 1
			REV B1	

(B1) 1. SEE APPLICATION SPECIFICATION 114-151004 FOR CRIMP TOOLS AND WIRE RANGE

NOTES: