

10

9

8

7

6

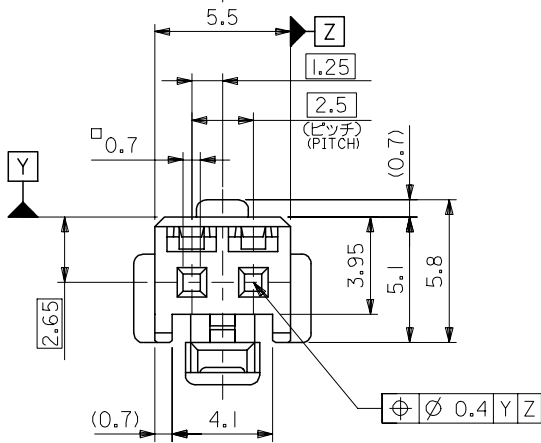
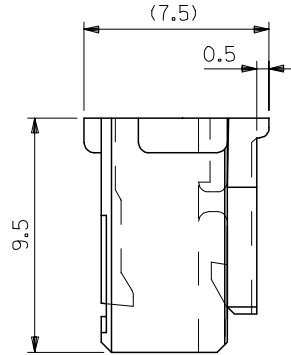
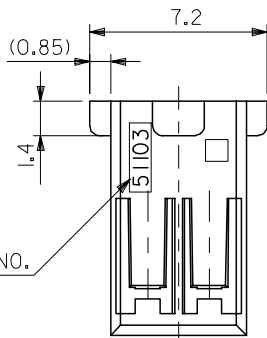
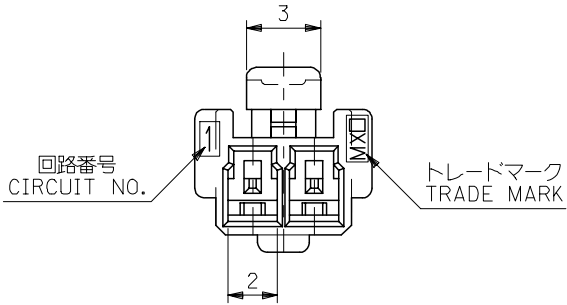
5

4

3

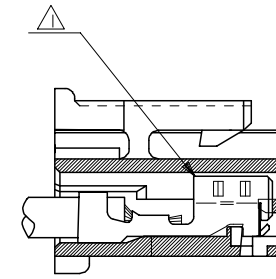
2

1



注記 NOTES

- △ 適合ターミナル：5035I-8*00
APPLICABLE TERMINAL：5035I-8*00
- 2. 嵌合相手：53375,53426 シリーズ
MATE WITH：53375,53426 SERIES
- △ 偶数極の製品に適用。
APPLY EVEN CIRCUIT PRODUCTS.
- 4. 製品型番の下1桁は色を表す。
LAST DIGIT OF PART NUMBER INDICATES COLOR.
0：白 WHITE 1：黒 BLACK 2：赤 RED
3：黄 YELLOW 4：青 BLUE



ターミナル装着状態図
TERMINAL ASSEMBLY DRAWING

2極に適用
FOR 2 CKTS.

| | |
|--------------|---------|
| 51103-020* | 2 |
| MATERIAL NO. | CIRCUIT |

| | | | | | | | | |
|--|---------------------------------------|------------|----------------------------|---|--------------------|--|------------------------|--|
| RELEASED EC NO: J2005-2009 DRAWN: M.UMEDA 2005/02/02 CHKD: K.TOYODA 2005/02/04 APPR: N. UKITA 2005/02/14 REV: 0 | GENERAL TOLERANCES (UNLESS SPECIFIED) | | DIMENSION STYLE MM ONLY | | SCALE --- | DESIGN UNITS METRIC | THIRD ANGLE PROJECTION | |
| | 10 UNDER | ±0.2 | DRAWN BY M.UMEDA | | DATE 2005/01/14 | TITLE 2.5 W/B CONN. HOUSING (POSITIVE LOCK) | | |
| | 10 OVER 30 UNDER | ±0.25 | CHECKED BY K. TOYODA | | DATE 2005/01/14 | MOLEX INCORPORATED | | |
| | 30 OVER | ±0.3 | APPROVED BY N. UKITA | | DATE 2005/01/14 | DOCUMENT NO. SD-51103-021 | | |
| | ANGULAR | ±3 ° | MATERIAL NO. | | SEE CHART | | SHEET NO. 1 OF 2 | |
| DRAFT WHERE APPLICABLE MUST REMAIN WITHIN DIMENSIONS | | SIZE A3 | | THIS DRAWING CONTAINS INFORMATION THAT IS PROPRIETARY TO MOLEX INCORPORATED AND SHOULD NOT BE USED WITHOUT WRITTEN PERMISSION | | | | |

9

8

7

6

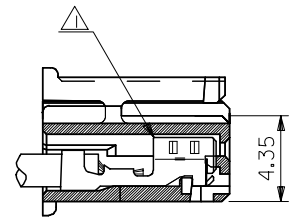
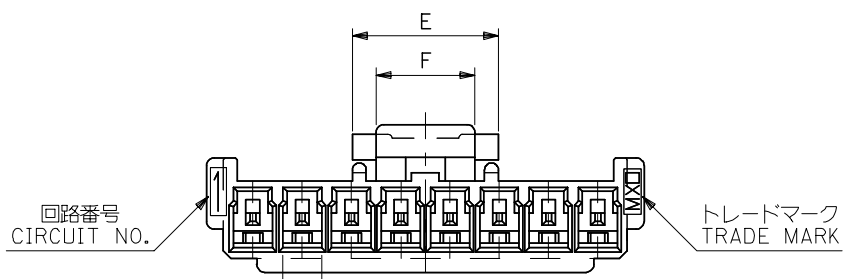
5

4

3

2

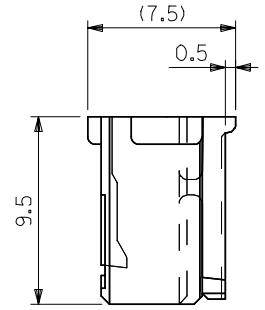
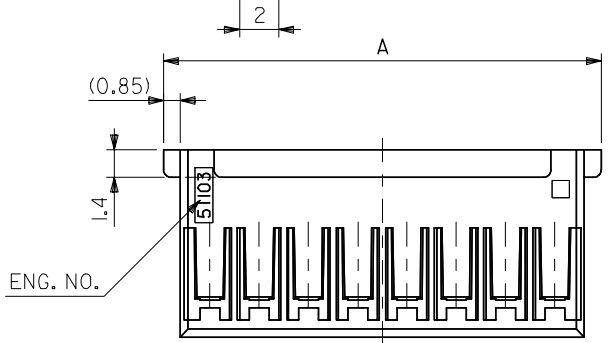
10 9 8 7 6 5 4 3 2 1



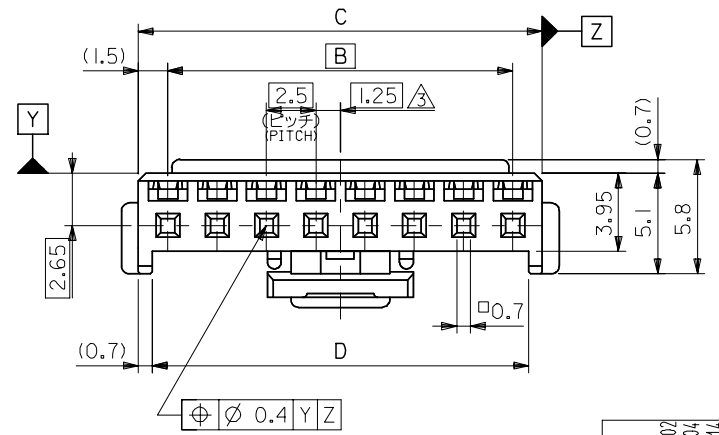
ターミナル装着状態図
TERMINAL ASSEMBLY DRAWING

注記 NOTES

- △ 適合ターミナル：5035I-8*00
APPLICABLE TERMINAL：5035I-8*00
- 2. 嵌合相手：53375,53426 シリーズ
MATE WITH：53375,53426 SERIES
- △ 偶数極の製品に適用。
APPLY EVEN CIRCUIT PRODUCTS.
- 4. 製品型番の下1桁は色を表す。
LAST DIGIT OF PART NUMBER INDICATES COLOR.
0：白 WHITE 1：黒 BLACK 2：赤 RED
3：黄 YELLOW 4：青 BLUE



3-15 極に適用
FOR 3-15 CKTS.



| | | | | | | | |
|---|-----|------|------|------|------|--------------|---------|
| 5 | 7.4 | 36.6 | 38 | 35 | 39.7 | 51103-150* | 15 |
| ↑ | ↑ | 34.1 | 35.5 | 32.5 | 37.2 | ↑ -140* | 14 |
| | | 31.6 | 33 | 30 | 34.7 | ↑ -130* | 13 |
| | | 29.1 | 30.5 | 27.5 | 32.2 | ↑ -120* | 12 |
| | | 26.6 | 28 | 25 | 29.7 | ↑ -110* | 11 |
| | | 24.1 | 25.5 | 22.5 | 27.2 | ↑ -100* | 10 |
| | | 21.6 | 23 | 20 | 24.7 | ↑ -090* | 9 |
| | | 19.1 | 20.5 | 17.5 | 22.2 | ↑ -080* | 8 |
| | | 16.6 | 18 | 15 | 19.7 | ↑ -070* | 7 |
| | | 14.1 | 15.5 | 12.5 | 17.2 | ↑ -060* | 6 |
| | | 11.6 | 13 | 10 | 14.7 | ↑ -050* | 5 |
| 5 | 7.4 | 9.1 | 10.5 | 7.5 | 12.2 | ↓ -040* | 4 |
| 3 | 5 | 6.6 | 8 | 5 | 9.7 | ↓ 51103-030* | 3 |
| F | E | D | C | B | A | MATERIAL NO. | CIRCUIT |

| | | | | | | | |
|--|---------------------------------------|-------|----------------------------|--|--------------------|------------------------|--|
| RELEASED EC NO: J2005-2009 DRAWN: MUMEDA 2005/02/07 CHKD: KTOYODA 2005/02/04 APPR: NUKITA 2005/02/14 | GENERAL TOLERANCES (UNLESS SPECIFIED) | | DIMENSION STYLE MM ONLY | | SCALE --- | DESIGN UNITS METRIC | THIRD ANGLE PROJECTION |
| | 10 UNDER | ±0.2 | DRAWN BY M.UMEDA | | DATE 2005/01/14 | | TITLE 2.5 W/B CONN. HOUSING (POSITIVE LOCK) |
| | 10 OVER 30 UNDER | ±0.25 | CHECKED BY KTOYODA | | DATE 2005/01/14 | | |
| | 30 OVER | ±0.3 | APPROVED BY N. UKITA | | DATE 2005/01/14 | | MOLEX INCORPORATED |
| | ANGULAR | ±3 ° | MATERIAL NO. | | DOCUMENT NO. | | |
| DRAFT WHERE APPLICABLE MUST REMAIN WITHIN DIMENSIONS | | | SEE CHART | | SD-51103-021 | | SHEET NO. 2 OF 2 |