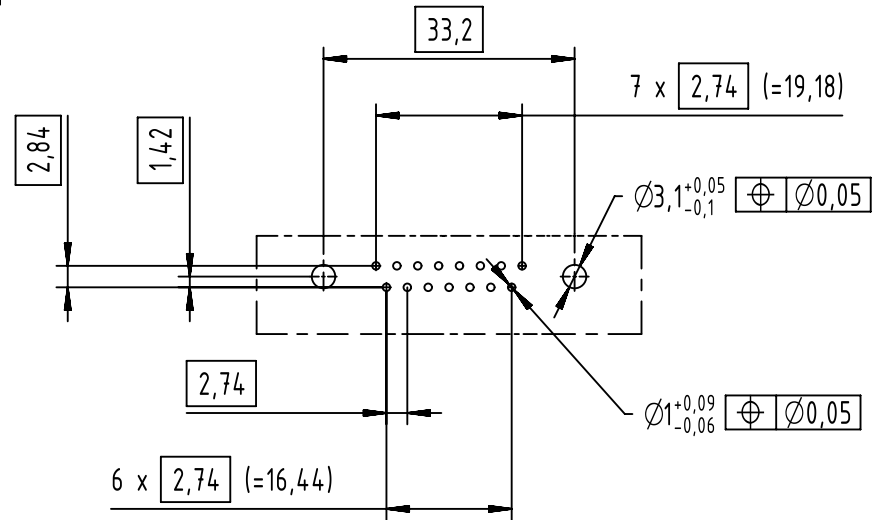
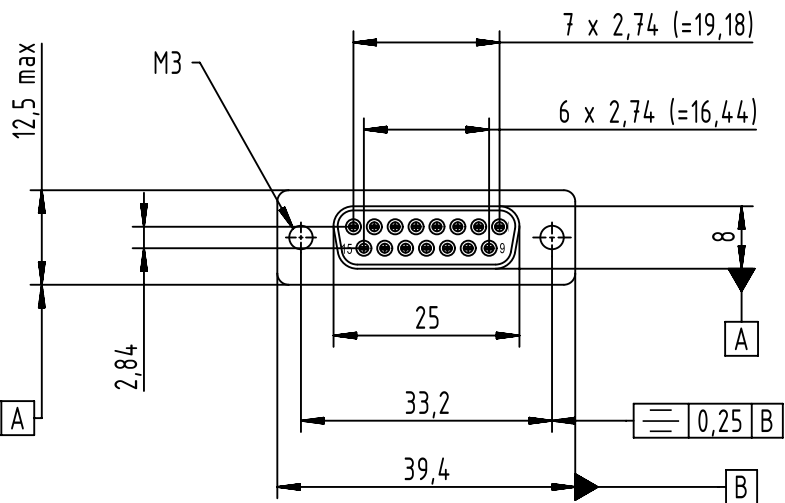


PC-Board layout
view component side
thickness up to 3,2 mm



All Dimensions in mm
Original Size DIN A4

Scale
1:1

Free size tol.

Ref.

Sub.



All rights reserved

Department EC PD - FR

Created by
LAVERGNEC

Inspected by
BAGDIKIAN

Standardisation
HOFFMANN

Date
2014-04-02

State
Final Release

Title
D-Sub 15-pole female straight press-in

Doc-Key / ECM-Nr.
100571794 / UGD/001/A
500000072779

Type
TB

Number
0966214X501

Rev.
A

Page
1/1

09662147501	3	6	4,20
09662146501	2	6	4,20
09662145501	S4 PdNi	6	4,20
Part number	Performance level	A +/- 0,2	B +/- 0,2

HARTING Electronics GmbH
D-32339 Espelkamp