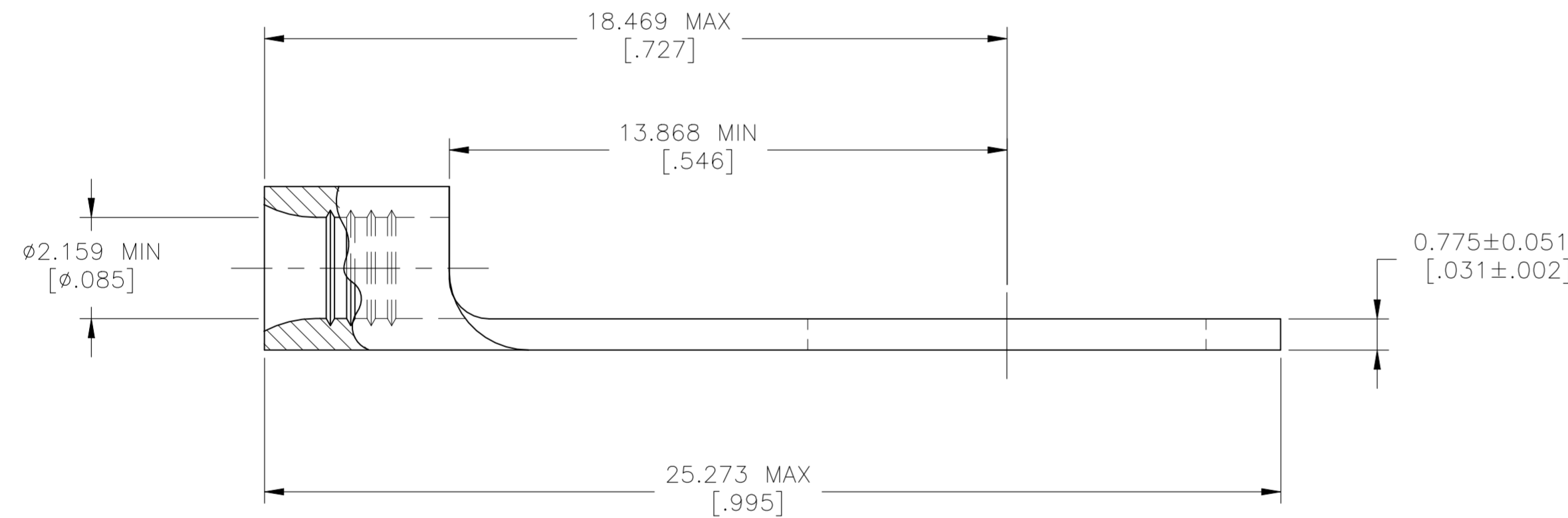
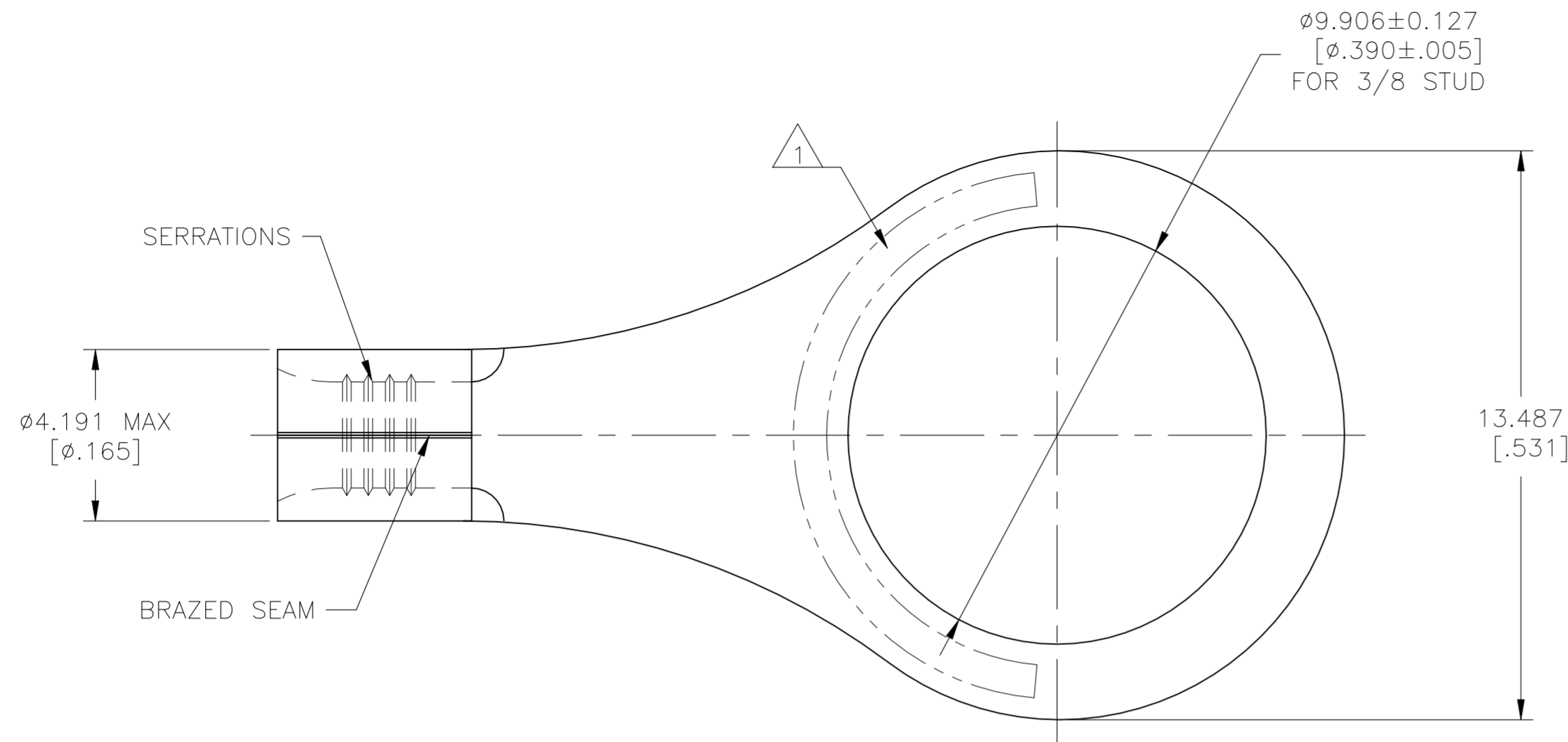


REVISIONS					
P	LTR	DESCRIPTION	DATE	DWN	APVD
	H3	REVISED PER ECN-22-150900	28APR2022	RK	CSD



AMP WIRE RANGE	E13288 Listed
16-14 AWG SOLID OR STRANDED	16-14 AWG SOLID OR STRANDED

LR7189 Certified
16-14 AWG SOLID OR STRANDED

- 1 STAMP AMP 16-14* APPROX AS SHOWN
- 2 TIN PLATE 0.00254 [.000100] MIN THK PER ASTM B-545.
- 3 NOTE DELETED
- 4 NOTE DELETED
- 5 UL 486 A-B

AMP INCORPORATED CUSTOMER SERVICE SYSTEMS

MAX RECOMMENDED OPERATING TEMPERATURE:
170° C [338°F] MAX

FOR ADDITIONAL PRODUCT INFORMATION OR COPIES OF DRAWINGS AND TECHNICAL DOCUMENTS

FOR APPLICATION TOOLING INFORMATION

FOR ORDER ENTRY

PRODUCT INFORMATION CENTER
1-800-522-6752

TOOLING ASSISTANCE CENTER
1-800-722-1111

1-800-526-5142

VOLTAGE RATING:
NOT APPLICABLE

WIRE CROSS SECTIONAL AREA RANGE:
1.04-2.62mm² [2,050-5,180] CIR MILS
SOLID OR STRANDED

THIS DRAWING IS A CONTROLLED DOCUMENT FOR AMP INCORPORATED. IT IS SUBJECT TO CHANGE AND THE CONTROLLING ENGINEERING ORGANIZATION SHOULD BE CONTACTED FOR THE LATEST REVISION.

FINISH	QUANTITY	PACKAGING TYPE	PART NO
2	100	LOOSE PIECE, BOX	8-34126-1
2	5000	ON TAPE	2-34126-2
2	1000	LOOSE PIECE	34126

THIS DRAWING IS A CONTROLLED DOCUMENT.		DWN TA BRINKMAN 3-17-93	TE Connectivity™	
		CHK DA PATTERSON 3-17-93		
		APVD DE MILLER 3-17-93		
		PRODUCT SPEC 5		
DIMENSIONS: mm [INCHES]		TOLERANCES UNLESS OTHERWISE SPECIFIED: 0 PLC ± - 1 PLC ± - 2 PLC ± - 3 PLC ± 0.127[.005] 4 PLC ± - ANGLES ± -		NAME TERMINAL, RING TONGUE, SOLISTRAND 16-14 AWG
MATERIAL COPPER PER ASTM B-152 ANNEALED		FINISH SEE TABLE		SIZE A2
		WEIGHT -		CAGE CODE 00779
		CUSTOMER DRAWING		DRAWING NO C=34126
		SCALE 8:1		SHEET 1 OF 1
		REV H3		RESTRICTED TO -