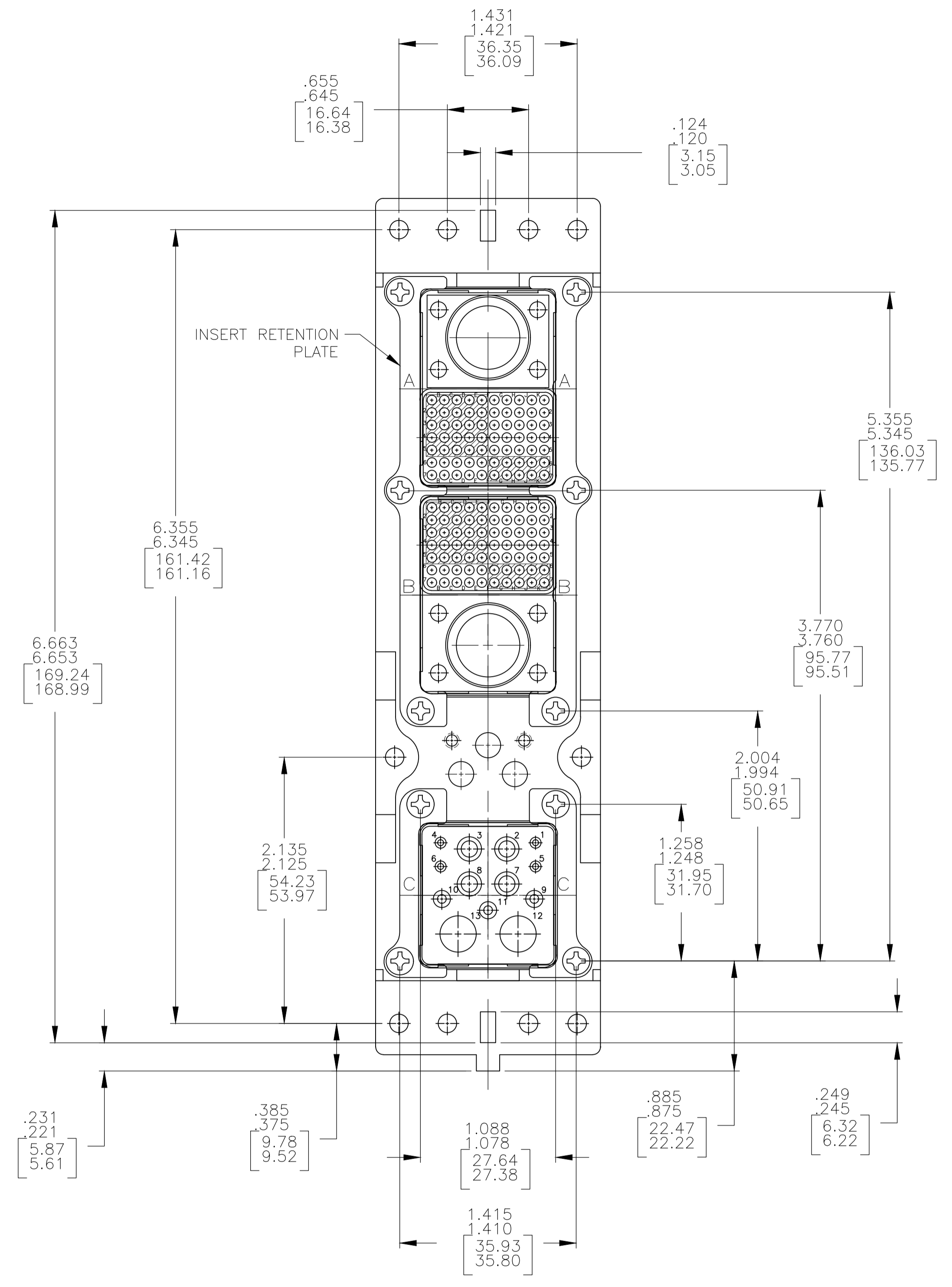
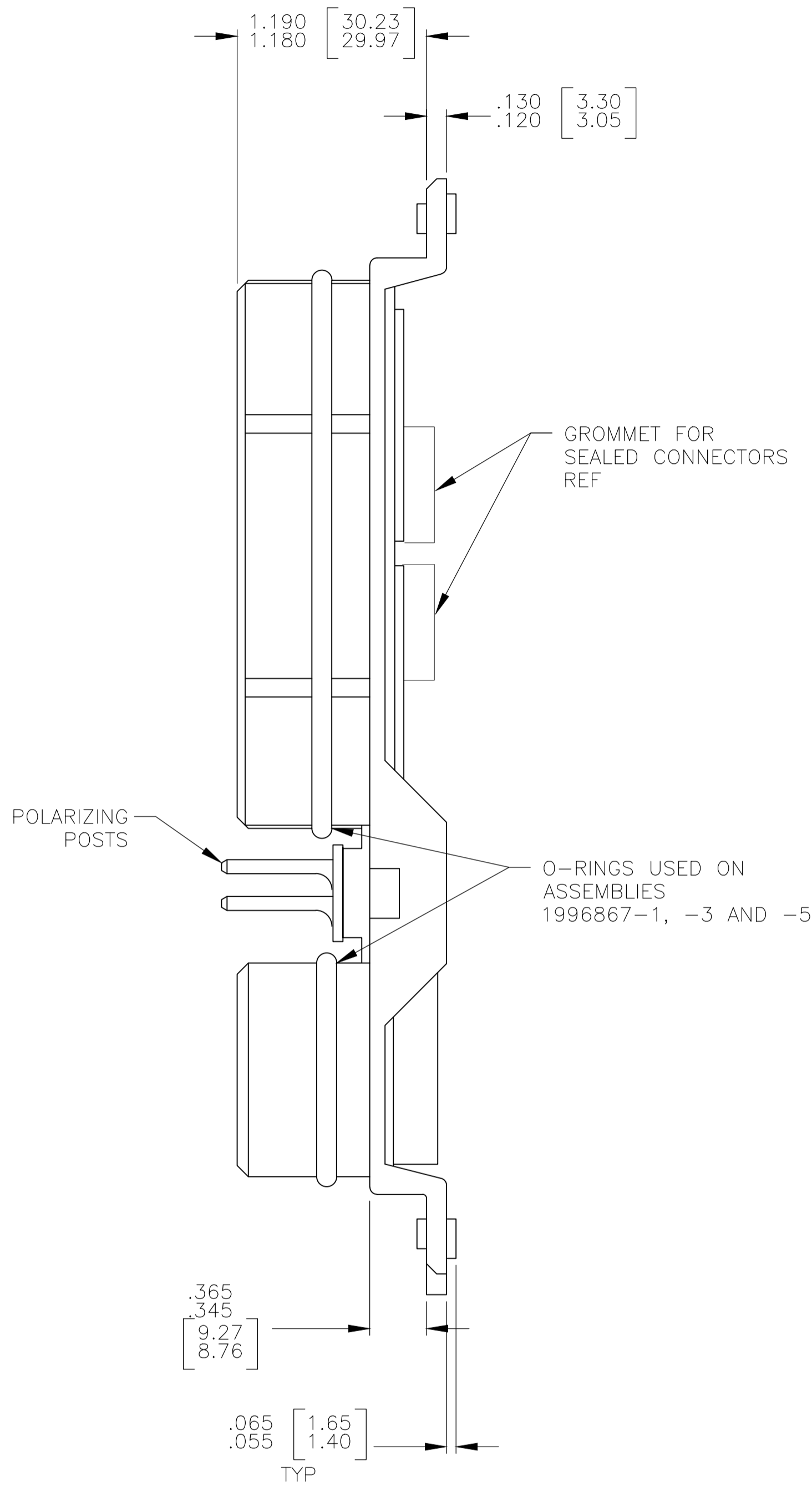
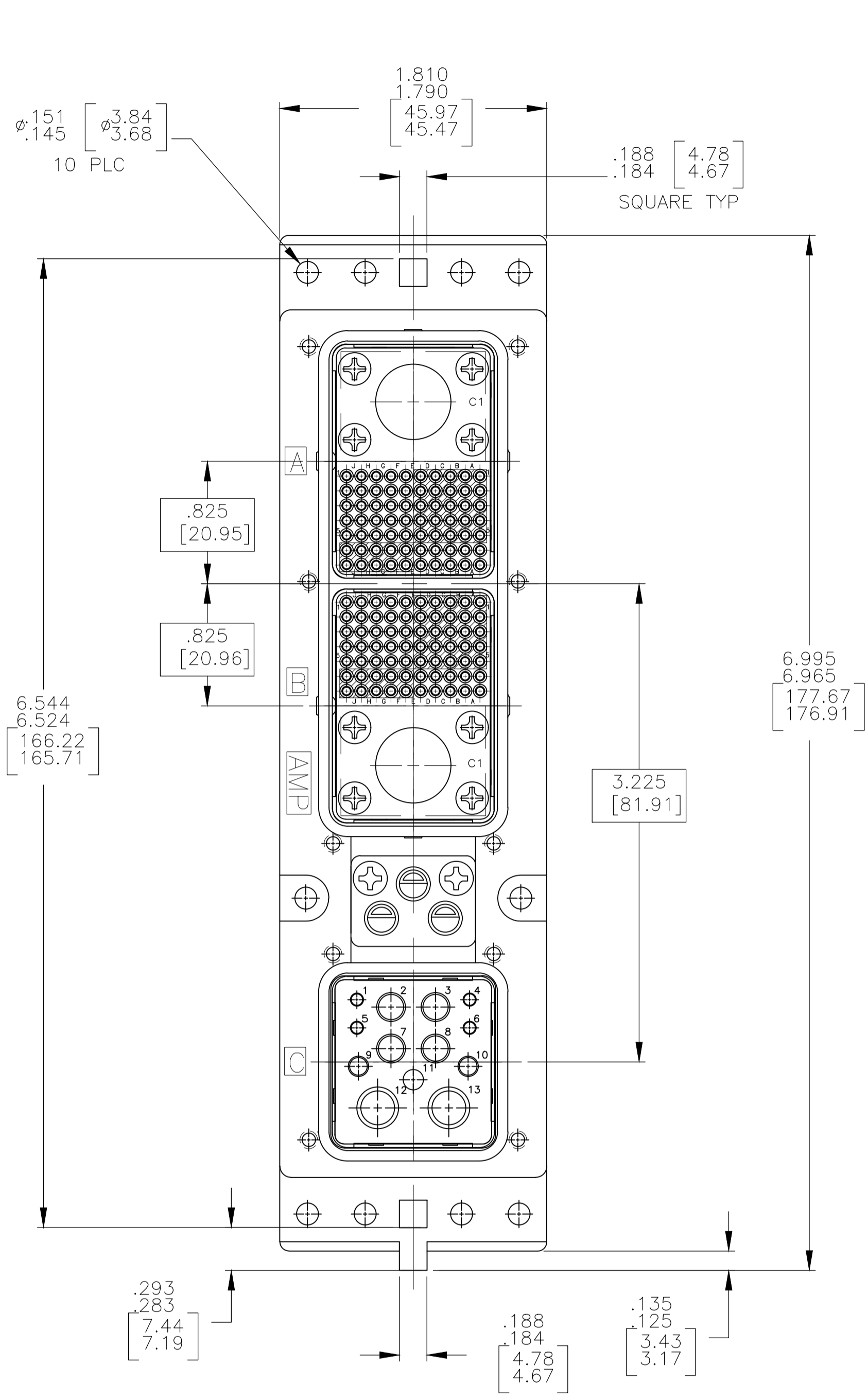


REVISIONS				
REV	DATE	BY	APPV	DESCRIPTION
E	19JAN2018	PHM	CT	REVISED PER ECO-17-018523



- CONNECTOR DIMENSIONS ARE PER ARINC 600 SPECIFICATION
- DUST COVER IS INCLUDED AND INSTALLED FOR SHIPPING. (NOT SHOWN)
- KEYING SHOWN IN POSITION "01" FOR REFERENCE ONLY. SEE TABLE FOR KEYING POSITION. FOR POSITION "00" KEYING SHIPPED UNASSEMBLED.

COMPONENT	MATERIAL	FINISH		
SHELL	DIE CAST ALUMINUM PER ASTM-B-85	CHROMATE CONVERSION PER MIL-C-5541, TYPE II, CLASS 3	NIC66H20B00AA1	SEALED 00 1996867-5
RETENTION PLATES	ALUMINUM ALLOY PER ASTM-B-209	CHROMATE CONVERSION PER MIL-C-5541, TYPE II, CLASS 3	NIC66H20A08AA1	UNSEALED 08 1996867-4
SCREWS	STEEL OR STAINLESS STEEL	STAINLESS STEEL OR PASSIVATED	NIC66H20B08AA1	SEALED 08 1996867-3
POLARIZING POSTS	ZINC ALLOY PER ASTM-B-86	ELECTROLESS NICKEL PER MIL-C-26074 CLASS 4, GRADE B	NIC66H20A18AA1	UNSEALED 18 1996867-2
POLARIZING POST RETAINING PLATE	ALUMINUM ALLOY PER ASTM-B-209	BLUE ANODIZED PER MIL-A-8625	NIC66H20B18AA1	SEALED 18 1996867-1
ALL INSERTS	THERMOSET	-		

NIC NUMBER	DESCRIPTION	KEYING POSITION	PART NUMBER
NIC66H20B00AA1	SEALED	00	1996867-5
NIC66H20A08AA1	UNSEALED	08	1996867-4
NIC66H20B08AA1	SEALED	08	1996867-3
NIC66H20A18AA1	UNSEALED	18	1996867-2
NIC66H20B18AA1	SEALED	18	1996867-1

THIS DRAWING IS A CONTROLLED DOCUMENT. DIMENSIONING AND TOLERANCING PER ASME Y14.5M (ISO STANDARDS)		DIN C.C.THOMAS 7-17-08	TE Connectivity Ltd.
DIMENSIONS: INCHES		CHK K.THACKSTON 7-17-08	
TOLERANCES UNLESS OTHERWISE SPECIFIED:		APPV K.THACKSTON 7-17-08	
0 PLC ± .005	1 PLC ± .005	NAME	PLUG ASSY, SIZE 2, ARINC 600, (71C1A/71C1/13C2)
2 PLC ± .005	3 PLC ± .005	APPLICATION SPEC	
4 PLC ± .005	ANGLES ± .005	SIZE	A1
MATERIAL SEE TABLE	FINISH SEE TABLE	WEIGHT	00779 1996867
		CUSTOMER DRAWING	SCALE 3:2 SHEET 1 OF 1 REV E