

6

5

4

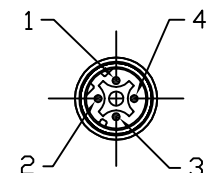
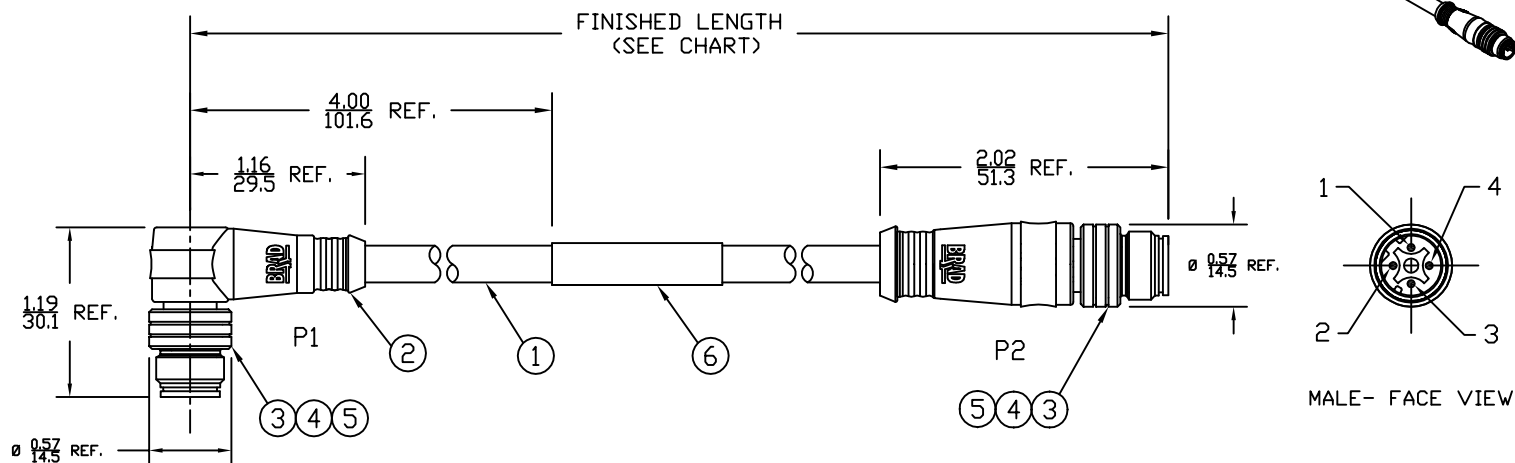
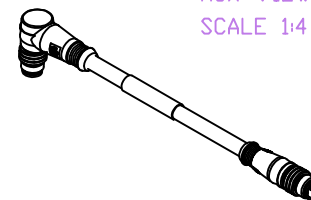
3

2

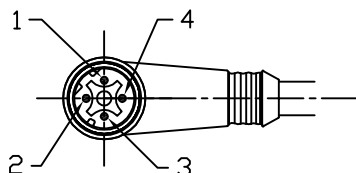
1

| PART NUMBER | ENGINEERING NO. | LENGTH ± TOLERANCE                   |
|-------------|-----------------|--------------------------------------|
| 1300480137  | E11A06203M010   | 3' 3" +2.19"/-0" [ 1M +55.6/-0 mm ]  |
| 1300480139  | E11A06203M050   | 16' 4" +6.5"/-0" [ 5M +165.0/-0 mm ] |

AUX VIEW  
SCALE 1:4



MALE-FACE VIEW



MALE-FACE VIEW

| P1 |            | P2 |  |
|----|------------|----|--|
| 1  | ORANGE     | 1  |  |
| 2  | BLUE       | 2  |  |
| 3  | ORG/WHITE  | 3  |  |
| 4  | BLUE/WHITE | 4  |  |

WIRING DIAGRAM

NOTES:

- 1) MATERIAL: SEE TABLE
- 2) FINISHES: SEE TABLE
- 3) CABLE: #24/4 UNSHIELDED PVC
- 4) ELECTRICAL DATA:  
ACCORDING TO CAT5e ETHERNET STANDARD  
MAX. VOLTAGE: 30V  
MAX. CURRENT 1.5A
- 5) ENVIRONMENTAL:  
PROTECTION IP67  
TEMPERATURE RANGE: -20°C TO 75°C
- 6) WRAP LABEL IS MARKED WITH P/N, DATE CODE,  
VOLTAGE & AMPERAGE.
- 7) ASSEMBLY IS RoHS COMPLIANT.

| ITEM | QTY. | DESCRIPTION          | MATERIAL     | FINISH       |
|------|------|----------------------|--------------|--------------|
| 6    | 1    | LABEL                | PLASTIC FILM | BLACK/YELLOW |
| 5    | 2    | INSERT               | PUR          | BLACK        |
| 4    | 8    | PIN CONTACT          | COPPER ALLOY | GOLD PLATED  |
| 3    | 2    | M12 COUPLING NUT     | BRASS        | NICKEL       |
| 2    | 2    | OVERMOLD             | PUR          | BLACK        |
| 1    | 1    | ETHERNET CABLE-CAT5E | PVC JACKET   | TEAL         |

|                                                                                                          |                 |             |
|----------------------------------------------------------------------------------------------------------|-----------------|-------------|
| SD RELEASE<br>EC NO: WEL2010-0005<br>7/13/09<br>DRWN: VOU<br>CHKD: BWOODMAN<br>APPR: JFMURPHY 2009/07/20 | QUALITY SYMBOLS | DESCRIPTION |
|                                                                                                          | ▽=0             |             |
|                                                                                                          | ▽C=0            |             |
|                                                                                                          | 1               |             |

|                                                                     | GENERAL TOLERANCES (UNLESS SPECIFIED) |       |
|---------------------------------------------------------------------|---------------------------------------|-------|
|                                                                     | mm                                    | INCH  |
| 4 PLACES                                                            | ±----                                 | ±---- |
| 3 PLACES                                                            | ±----                                 | ±.005 |
| 2 PLACES                                                            | ±----                                 | ±.010 |
| 1 PLACE                                                             | ±----                                 | ±.020 |
| ANGULAR ± 1/2°                                                      |                                       |       |
| <b>DRAFT WHERE APPLICABLE<br/>MUST REMAIN<br/>WITHIN DIMENSIONS</b> |                                       |       |

| DIMENSION STYLE |            |
|-----------------|------------|
| IN/MM           |            |
| DRAWN BY        | DATE       |
| VOU             | 2009/07/06 |
| CHECKED BY      | DATE       |
| BWOODMAN        | 2009/07/31 |
| APPROVED BY     | DATE       |
| ---             | ---        |
| MATERIAL NO.    |            |
| SEE CHART       |            |
| SIZE            |            |
| A               |            |

| SCALE                                                                                                                         | DESIGN UNITS | THIRD ANGLE PROJECTION |
|-------------------------------------------------------------------------------------------------------------------------------|--------------|------------------------|
| 3:4                                                                                                                           | INCH         | THIRD ANGLE PROJECTION |
| TITLE                                                                                                                         |              |                        |
| MICRO-CHANGE CABLE ASSY<br>4P M/MP ST/90 D-CODE<br>#24/4 UNSHIELDED PVC                                                       |              |                        |
| MOLEX INCORPORATED                                                                                                            |              |                        |
| DOCUMENT NO.                                                                                                                  |              | SHEET NO.              |
| SD-120108-021                                                                                                                 |              | 1 OF 1                 |
| THIS DRAWING CONTAINS INFORMATION THAT IS PROPRIETARY TO MOLEX INCORPORATED AND SHOULD NOT BE USED WITHOUT WRITTEN PERMISSION |              |                        |

6

5

4

3

2

1