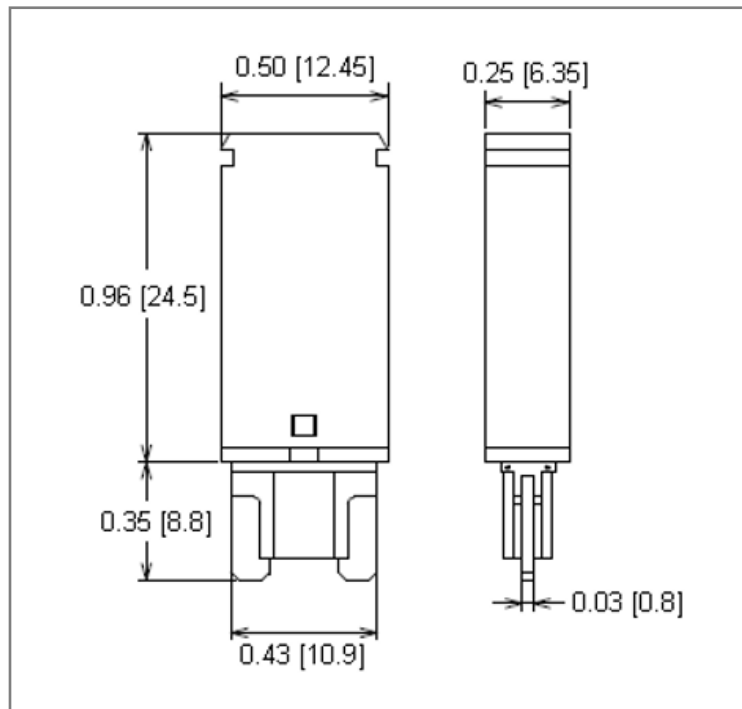


# Low Profile, Miniature Blade Circuit Breaker

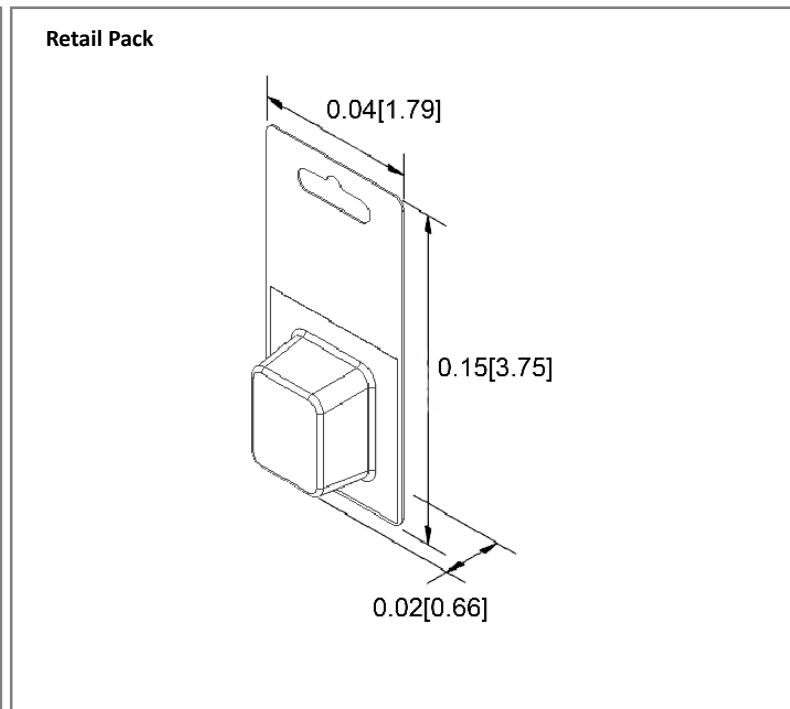
## ACBP4-PS



### Mechanical Dimensions: Inches [mm]



### Retail Pack: Inches [mm]



### Part Numbers Information

Amperage	Body Color	Bulk Part #	Retail Pack # Blister Card	Pack Size
5A	Tan	ACBP4-PS-5A	ACBP4-PS-5A-BP	1
7.5A	Brown	ACBP4-PS-7.5A	ACBP4-PS-7.5A-BP	1
10A	Red	ACBP4-PS-10A	ACBP4-PS-10A-BP	1
15A	Blue	ACBP4-PS-15A	ACBP4-PS-15A-BP	1
20A	Yellow	ACBP4-PS-20A	ACBP4-PS-20A-BP	1
25A	White	ACBP4-PS-25A	ACBP4-PS-25A-BP	1
30A	Green	ACBP4-PS-30A	ACBP4-PS-30A-BP	1

### Electrical Specifications

<b>Voltage Rating</b>	58VDC
<b>Reset Type</b>	Type I - Auto Reset
<b>Operation Temperature</b>	-40°C ~ 85°C
<b>Storage Temperature</b>	-40°C ~ 125°C
<b>Testing</b>	SAE J553 Type I, IEC 60934

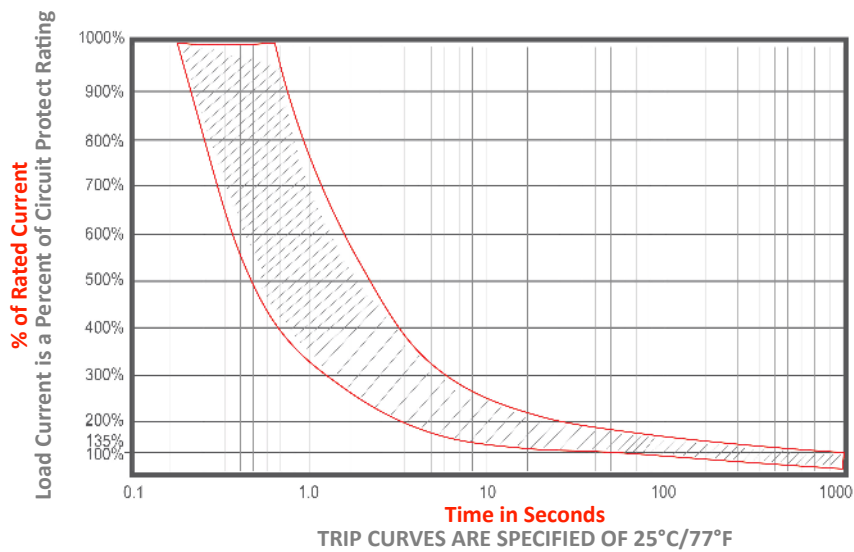
### Material Specifications

Low Profile, Miniature Blade Circuit Breaker	
<b>Body</b>	Thermoplastic – (UL Rated 94-V-0)
<b>Terminals</b>	Tin plated Copper Alloy

## Interrupt Rating

Ampere Rated	Interrupt Rating
5A-10A version	100A @ 58 VDC
15A version	150A @ 58 VDC
20A version	200A @ 58 VDC
25A-30A version	300A @ 58 VDC

## Time vs. Percent of Rated Current



### Rev Date of issue Revision Notes

### Designed Approved

A	05-30-2023	Initial Drawing	RC	OF
---	------------	-----------------	----	----