

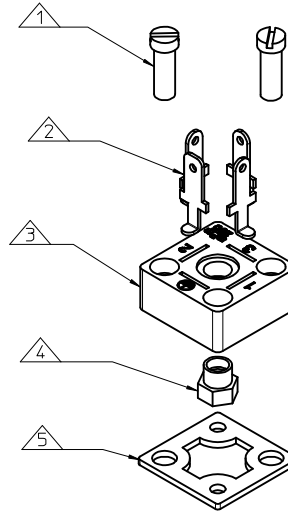
B293000N2**

SERIES _____
 B29= FORM C MICRO
 POLES _____
 2= 2 POLE & 3= 3 POLE
 CURVED BASE DIAMETER _____
 000= FLAT BASE 040= Ø40, 045= Ø45, 050= Ø50,
 060= Ø60, 080= Ø80, 100= Ø100, 160= Ø160.
 MATERIAL AND HOUSING COLOUR _____
 G= PA6 GREY, N= PA6 BLACK, W= PA6 BLACK V0
 SCREW AND GASKET _____
 2= NBR FLAT GASKET & SCREWS
 4= SILICON FLAT GASKET & SCREWS
 9= NO GASKET, NO SCREW
 NON STANDARD COMPONENTS _____
 5H= DOUBLE BARBED TERMINAL

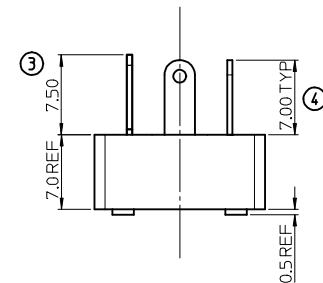
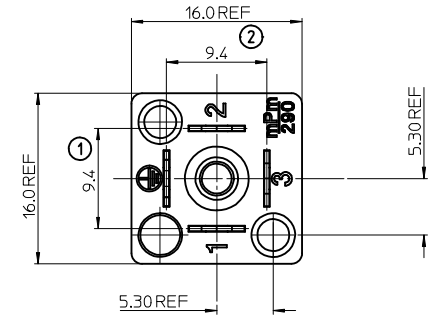
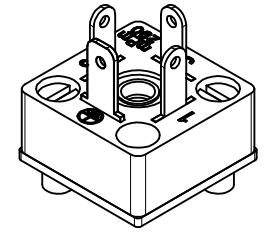
NOTES

- PLEASE SEE TABLE FOR CURRENTLY CONFIGURED PART NUMBERS. FOR SPECIFIC PART NUMBERS PLEASE CONTACT SALES OR CONSULT THE INTELLIGENT PART NUMBERS IN THE TABLE ATTACHED.
- FOR PACKAGING SEE PACKAGING SPEC PK-121013-B29
- PRODUCT SPEC: SEE PS-121201-001
- TERMINALS BENT AFTER INSERTION FOR BEND ANGLE SEE TABLE
- 3P+T BASE SHOWN IN DRAWING

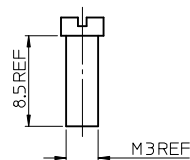
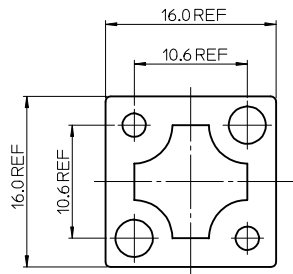
LAST INSPECTION NUMBER 4



ITEM	DESCRIPTION
1	SCREWS
2	TERMINALS
3	HOUSING
4	INSERT
5	GASKET



PART No.	mPm PART No.	DESCRIPTION	TERMINAL BEND ANGLE (°)
1210120102	B292000N2	TYPE C MICRO 2P BLACK, NBR FLAT GASKET & SCREWS	90
1210120104	B292000W4	TYPE C MICRO 2P BLACK V0, SILICON FLAT GASKET & SCREWS	90
1210120105	B292020N2	TYPE C MICRO 2P BLACK, Ø20 NBR FLAT GASKET & SCREWS	90
1210120106	B293000G2	TYPE C MICRO 3P GREY, NBR FLAT GASKET & SCREWS	90
1210120107	B293000N2	TYPE C MICRO 3P BLACK, NBR FLAT GASKET & SCREWS	90
1210120108	B293000N4	TYPE C MICRO 3P BLACK, SILICON FLAT GASKET & SCREWS	90
1210120109	B293000N9	TYPE C MICRO 3P BLACK, NO GASKET, NO SCREW	90
1210120133	B292000N4	TYPE C MICRO 2P BLACK, SILICON FLAT GASKET & SCREWS	90
1210130093	B292000N95H	TYPE C MICRO 2P BLACK, NO GASKET, NO SCREW, BARBED TERMINALS	90
1210130088	B292000N20Z17	TYPE C MICRO 2P BLACK, NBR FLAT GASKET & SCREWS	55



REV	DESCRIPTION	QUALITY SYMBOLS	GENERAL TOLERANCES (UNLESS SPECIFIED)		DIMENSION STYLE MM ONLY	SCALE 3:1	DESIGN UNITS METRIC	THIRD ANGLE PROJECTION
			mm	INCH				
0	UPDATED DESIGN EC NO: IPG2015-1844 2015/03/12 DRAWN:DMAHER 2015/04/15 CHKD:DMAHER APPR:STIGRIFLIN 2015/08/11	▼=0 ▽=0	4 PLACES ± ---	± ---	DRAWN BY JOCONNOR	DATE 2011/06/23	TITLE B29 SERIES BASE	MOLEX INCORPORATED SD-121012-007 SHEET NO. 1 OF 1
			3 PLACES ± ---	± ---	CHECKED BY DMAHER	DATE 2011/06/23		
			2 PLACES ± 0.10	± ---	APPROVED BY EFOLAN	DATE 2011/07/06		
			1 PLACE ± 0.20	± ---	MATERIAL NO.	DOCUMENT NO.		
			ANGULAR ± 2 °		SEE CHART			
			DRAFT WHERE APPLICABLE MUST REMAIN WITHIN DIMENSIONS		THIS DRAWING CONTAINS INFORMATION THAT IS PROPRIETARY TO MOLEX INCORPORATED AND SHOULD NOT BE USED WITHOUT WRITTEN PERMISSION			