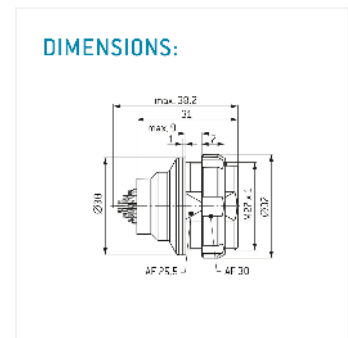
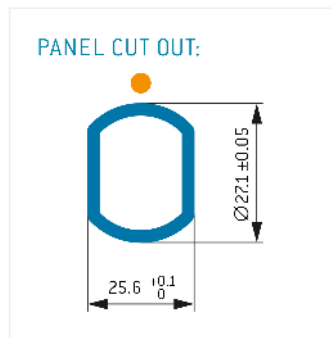
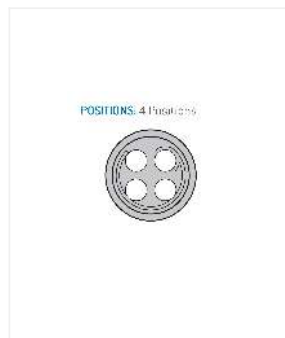
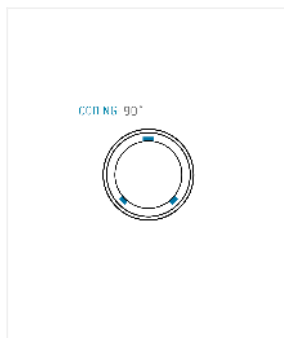


GXBMSG-P04LTS0-0001 medi_snap, type_gd



General information

Part number	GXBMSG-P04LTS0-0001
Termination	solder
Size	3,5
Locking principle	push
Coding	f_key_medi



Contact insert description

Number of contacts	4	
Contact type	sockets	
Contact diameter	20mm	
Insulator material	peek	
Wire cross section	14_awg	
Termination	solder	
Termination diameter	24mm	

Technical information

Max. creepage and air clearance distance	14_mm	
Nominal current single contact	24_a	iec_60512_5_2
Nominal current insert	24 A	vde_0298_4
Test voltage	165_kv_ac	eia_364_20f

safety_text

Mechanical and environmental data

Degree of protection*	ip68	
Operating temperature	50_120_c	
Mating cycles	5000	

mated_unmated

Insulator materials MEDI-SNAP®

pei_peek_size_b

Material and surface treatments

Housing	pei_gray
Color option	gray
Contact	cu_alloy_gold

data_text

safety_text_2

data_text

ul_text

illustrative_text