



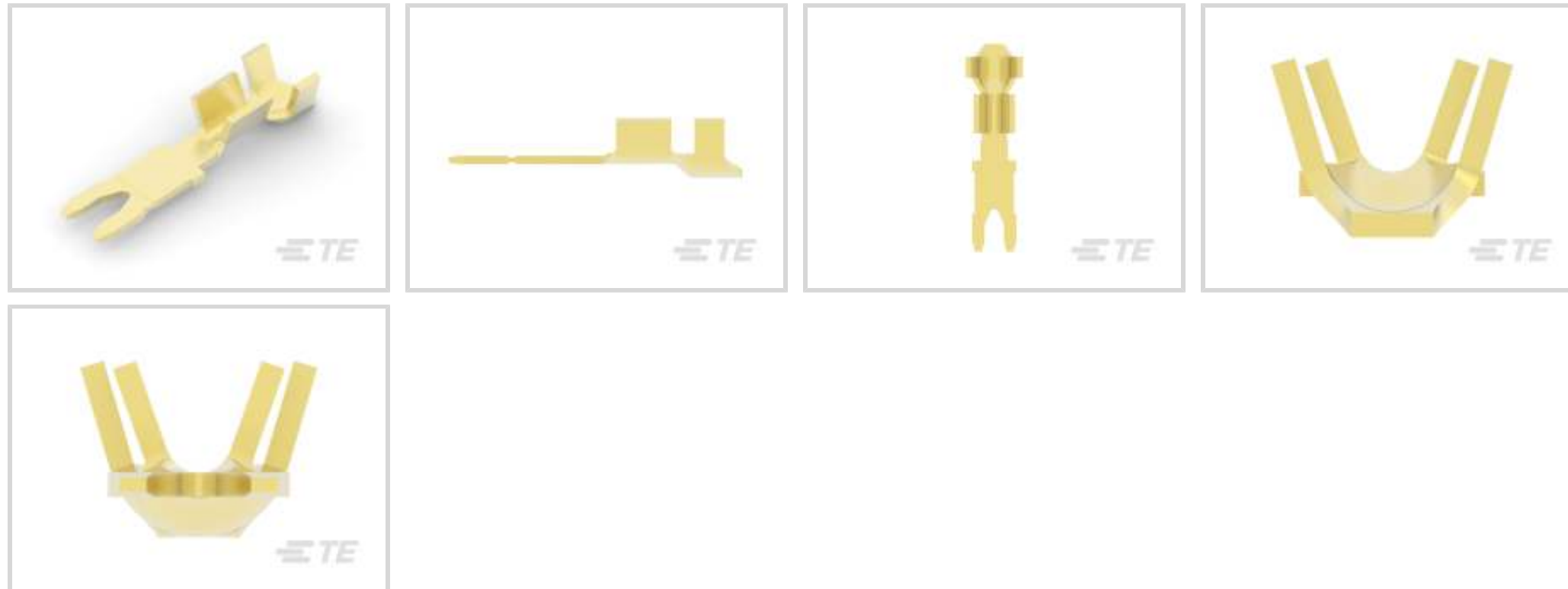
MAG-MATE

TE Internal #: 881257-3

Magnet Wire Terminals, Tab, Mating Tab Width .133 in [3.4 mm],
Lead Wire Size 22 – 18 AWG, Lead Wire Size .32 – .82 mm², Crimp,
MAG-MATE

[View on TE.com >](#)

Terminals & Splices > Magnet Wire Terminals



Magnet Wire Terminal Type: **Tab**

Mating Tab Width: **3.4 mm [.133 in]**

Mating Tab Thickness: **.46 mm [.018 in]**

Compatible Insulation Diameter (Max): **2.54 mm [.1 in]**

Compatible Insulation Diameter Range: **1.52 – 2.54 mm [.06 – .1 in]**

Features

Product Type Features

Compatible With Discrete Wire Type	Solid, Stranded
------------------------------------	-----------------

Contact Features

Magnet Wire Terminal Type	Tab
Mating Tab Width	3.4 mm[.133 in]
Mating Tab Thickness	.46 mm[.018 in]
Terminal Plating Material	Unplated
Terminal Orientation	Straight

Termination Features

Termination Method to Wire & Cable	Crimp
Crimp Area Length	5.97 mm[.235 in]

Mechanical Attachment

Mating Retention Type	Barbs
Wire Insulation Support	With



Dimensions

Terminal Height	7 mm[.275 in]
Compatible Insulation Diameter (Max)	2.54 mm[.1 in]
Compatible Insulation Diameter Range	1.52 – 2.54 mm[.06 – .1 in]
Lead Wire Size	.32 – .82 mm ²
Product Length	19.5 mm[.767 in]

Usage Conditions

Insulation Option	Uninsulated
-------------------	-------------

Operation/Application

Compatible With Wire Base Material	Copper
------------------------------------	--------

Industry Standards

Agency/Standard	RU (UL Component Program)
-----------------	---------------------------

Packaging Features

Packaging Quantity	7000
Packaging Method	Reel, Reel/Carton

Product Compliance

[For compliance documentation, visit the product page on TE.com>](#)

EU RoHS Directive 2011/65/EU	Compliant
EU ELV Directive 2000/53/EC	Compliant
China RoHS 2 Directive MIIT Order No 32, 2016	No Restricted Materials Above Threshold
EU REACH Regulation (EC) No. 1907/2006	Current ECHA Candidate List: JUNE 2023 (235) Candidate List Declared Against: JUNE 2022 (224) Does not contain REACH SVHC
Halogen Content	Low Halogen - Br, Cl, F, I < 900 ppm per homogenous material. Also BFR/CFR/PVC Free
Solder Process Capability	Not applicable for solder process capability

Product Compliance Disclaimer

This information is provided based on reasonable inquiry of our suppliers and represents our current actual knowledge based on the information they provided. This information is subject to change. The part numbers that TE has identified as EU RoHS compliant have a maximum concentration of 0.1% by weight in homogenous materials for lead, hexavalent chromium, mercury, PBB, PBDE, DBP, BBP, DEHP, DIBP, and 0.01% for cadmium, or qualify for an exemption to these limits as defined in the Annexes of Directive 2011/65/EU (RoHS2). Finished electrical and electronic equipment products will be CE marked as required by Directive 2011/65/EU. Components may not be CE marked. Additionally, the part

numbers that TE has identified as EU ELV compliant have a maximum concentration of 0.1% by weight in homogenous materials for lead, hexavalent chromium, and mercury, and 0.01% for cadmium, or qualify for an exemption to these limits as defined in the Annexes of Directive 2000/53/EC (ELV). Regarding the REACH Regulation, the information TE provides on SVHC in articles for this part number is based on the latest European Chemicals Agency (ECHA) 'Guidance on requirements for substances in articles' posted at this URL: <https://echa.europa.eu/guidance-documents/guidance-on-reach>

Compatible Parts



TE Part # 2305570-1
Strip Terminal Cutter-Side Feed-No Crimp



TE Part # 1599986-1
MAG MATE POKE-IN DUAL TAB



TE Part # 1217470-1
TAB MAG-MATE POKE-IN 22-18



TE Part # 2-2266269-1
OCEAN_2.0_Applicator-S-F090140F



TE Part # 2-2266269-2
OCEAN_2.0_Applicator-S-F090140F



TE Part # 2266269-1
OCEAN_2.0_Applicator-S-F090140F



TE Part # 2266269-2
OCEAN_2.0_Applicator-S-F090140F




TE Part # 2312000-1
TAB,POKE-IN,MAG-MATE



KIT
TE Part # 7-2266269-7
OCEAN_2.0_SPARE_PART_KIT-F090140F


Also in the Series | MAG-MATE



Insertion & Extraction Tools(7)

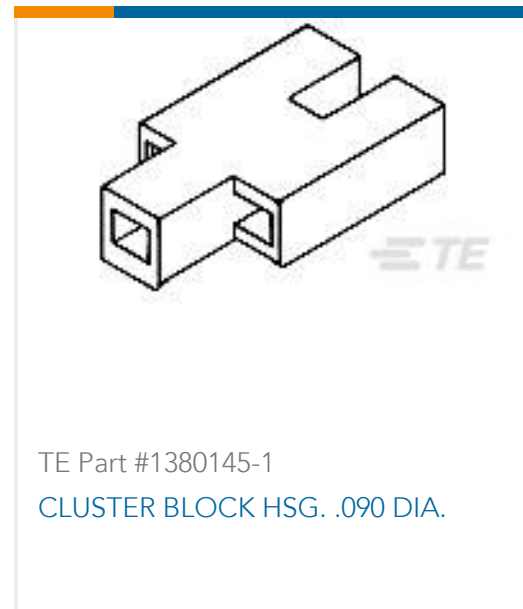
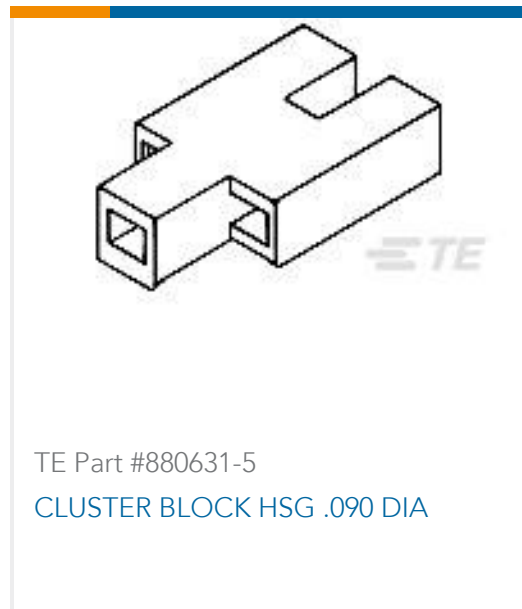
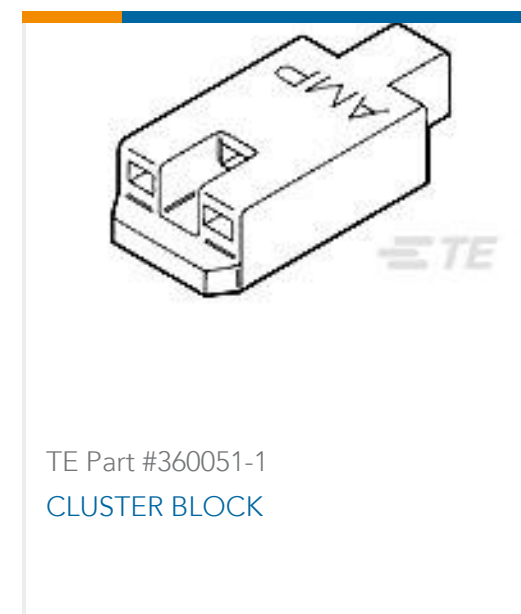
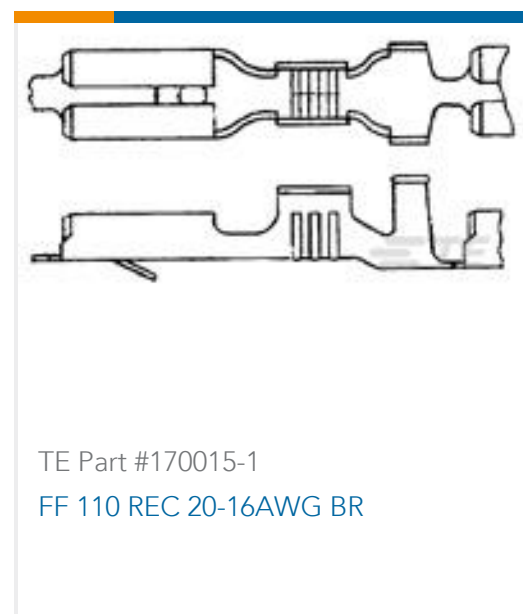


Magnet Wire Terminals(435)



PCB Terminals(1)

Customers Also Bought



Documents

Product Drawings

MAG-MATE TERMINAL

English

CAD Files

3D PDF

3D

Customer View Model

[ENG_CVM_CVM_881257-3_C_c-881257-3-c.2d_dxf.zip](#)

English

Customer View Model

[ENG_CVM_CVM_881257-3_C_c-881257-3-c.3d_igs.zip](#)

English

Customer View Model

[ENG_CVM_CVM_881257-3_C_c-881257-3-c.3d_stp.zip](#)

English

By downloading the CAD file I accept and agree to the [Terms and Conditions](#) of use.

Datasheets & Catalog Pages



Magnet Wire Terminals & Splices

English

Product Environmental Compliance

[MD_881257-3_0702201499_dmtec](#)

English

[MD_881257-3_0702201499_dmtec](#)

English