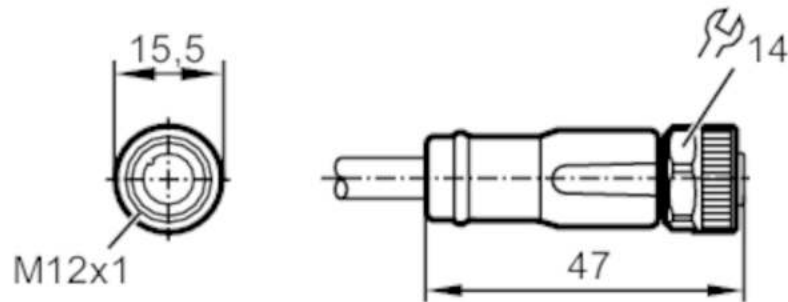




## Connecting cable with socket

ADOGH040MSP0020H04



Application	
Special feature	Free from silicone; Halogen-free; Gold-plated contacts; Drag chain suitability
Free from silicone	yes
Electrical data	
Operating voltage [V]	< 250 AC / < 300 DC
Protection class	II
Max. current load total [A]	4
Operating conditions	
Ambient temperature [°C]	-25...90
Ambient temperature (moving) [°C]	-25...90
Storage temperature [°C]	-25...55
Storage humidity [%]	10...100
Other climatic conditions for storage according to stated class	1K22/ DIN 60721-3-1
Protection	IP 65; IP 67; IP 68; IP 69K
Mechanical data	
Weight [g]	1316
Dimensions [mm]	15.5 x 15.5 x 47
Materials	housing: TPU orange; Sealing: FKM
Material nut	brass, nickel-plated
Drag chain suitability	yes

# EVC709



## Connecting cable with socket

ADOGH040MSP0020H04

Drag chain suitability	bending radius for flexible use	min. 10 x cable diameter
	travel speed	max. 3.3 m/s for a horizontal travel length of 5 m and max. acceleration of 5 m/s <sup>2</sup>
	bending cycles	> 5 Mio.
	torsional strain	± 180 °/m

### Remarks

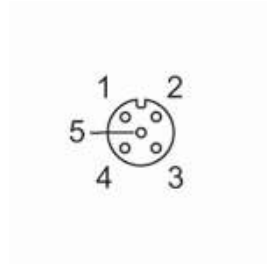
Pack quantity	1 pcs.
---------------	--------

### Electrical connection

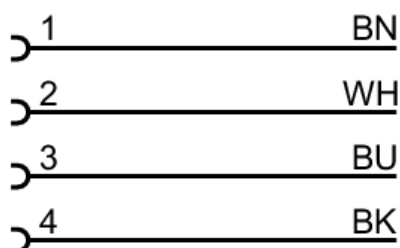
Cable: 20 m, PUR, Halogen-free, black, Ø 6.2 mm; 4 x 1.00 mm<sup>2</sup> (32 x Ø 0.2 mm )

### Electrical connection - socket

Connector: 1 x M12, straight; coding: A; Locking: brass, nickel-plated; Contacts: gold-plated; Tightening torque: 0.6...1.5 Nm



### Connection



Core colours :  
BK = black  
BN = brown  
BU = blue  
WH = white