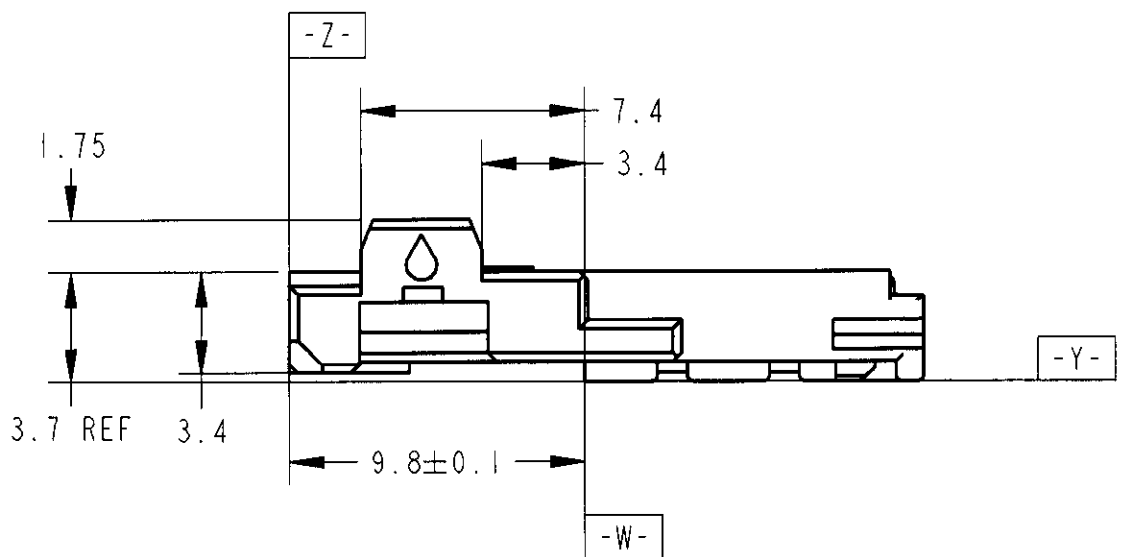
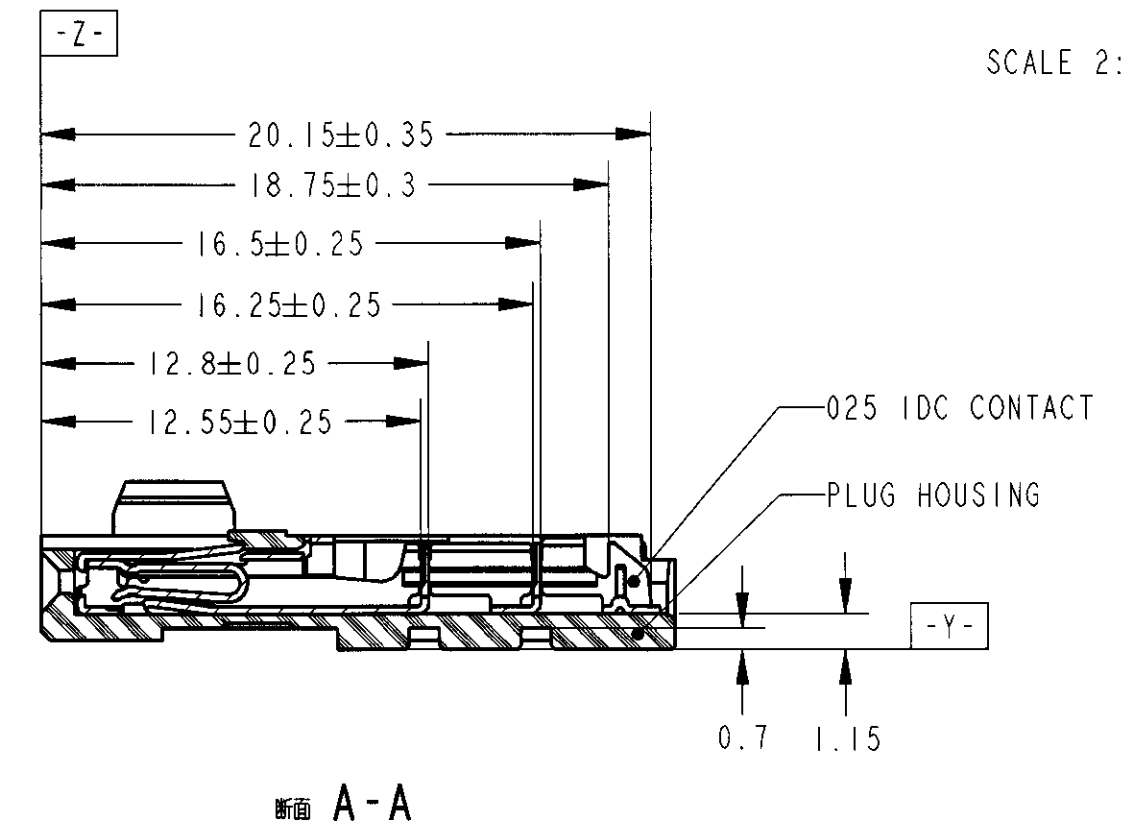
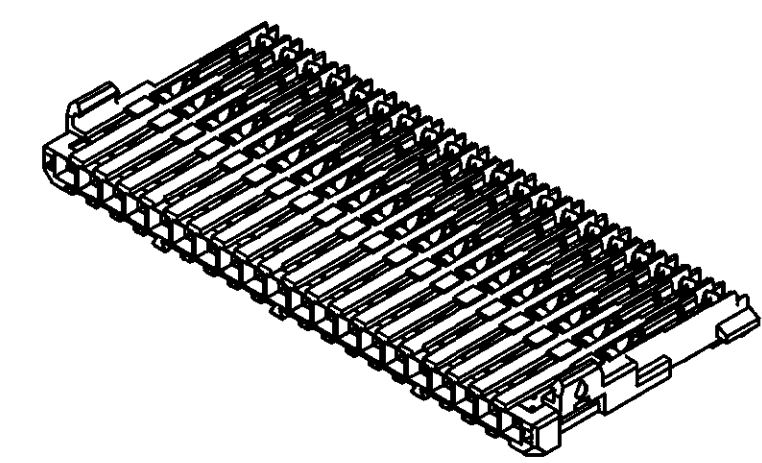
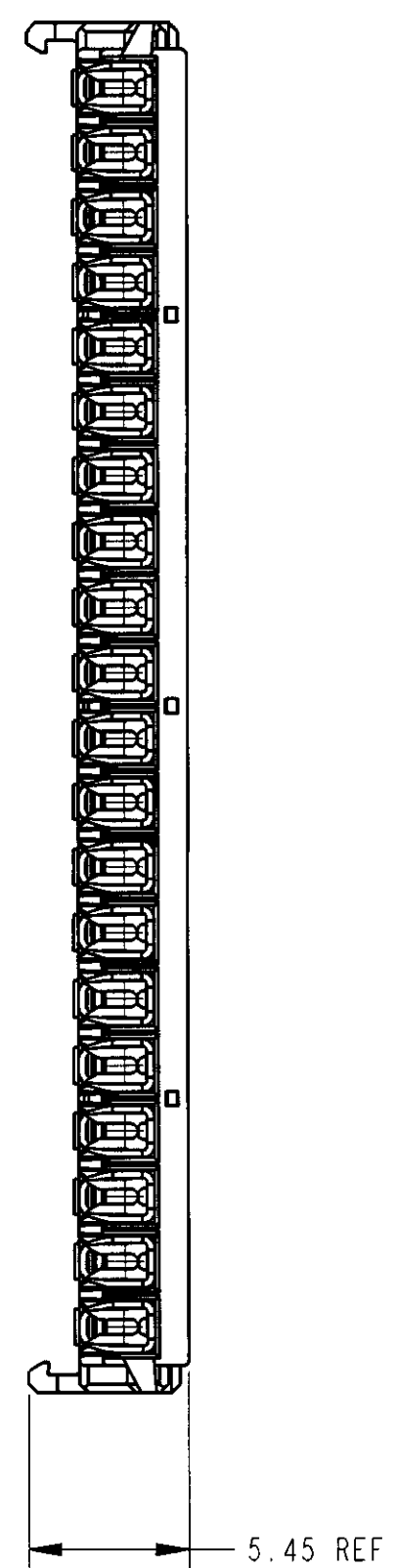
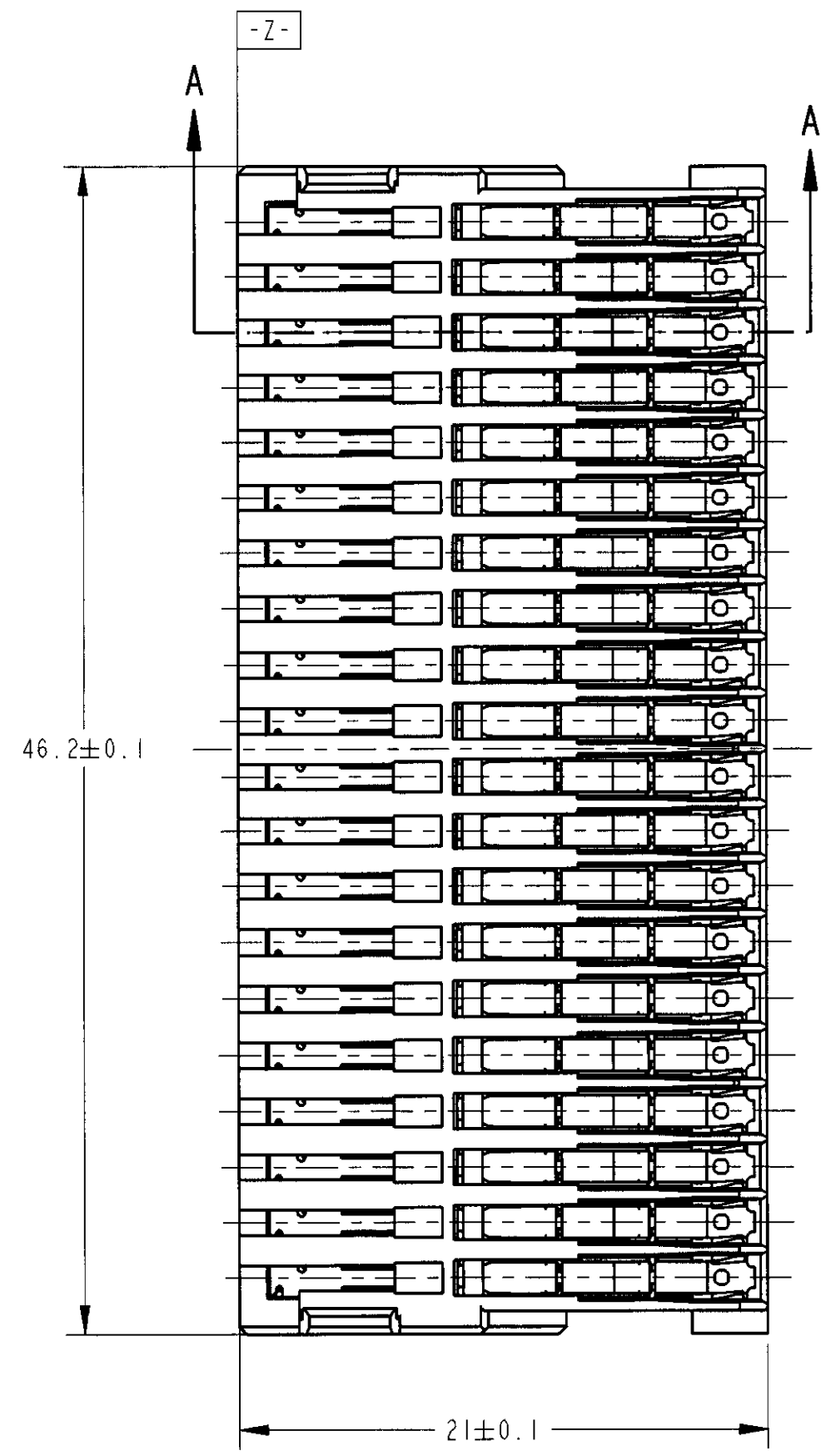
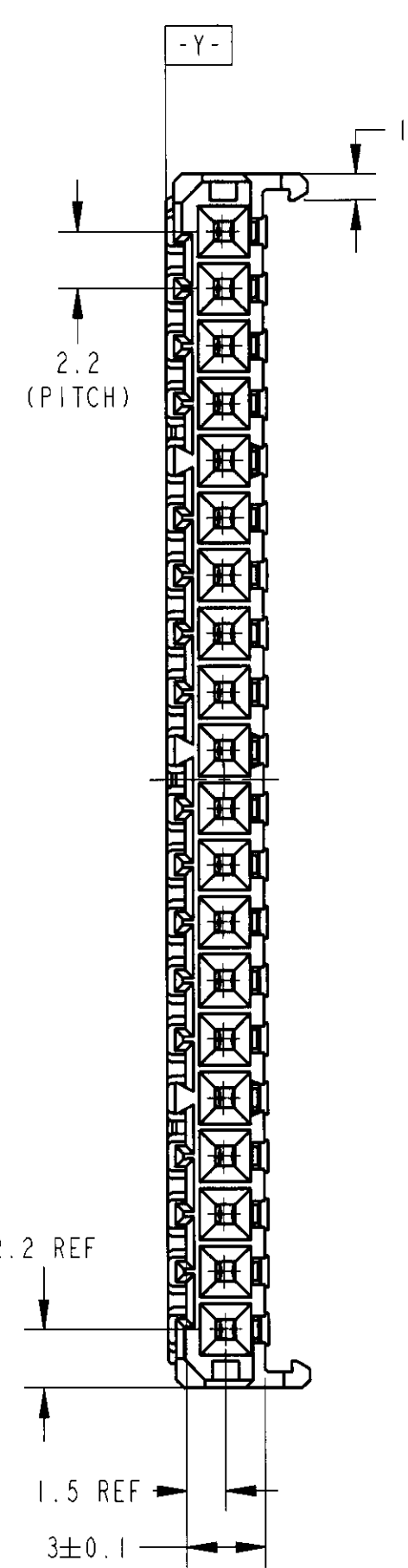


THIS DRAWING IS UNPUBLISHED. RELEASED FOR PUBLICATION  
 BY AMP INCORPORATED. ALL RIGHTS RESERVED.

LOC		DIST		REVISIONS			
P	LTR	DESCRIPTION		DATE	DWN	APVD	
	O	作成 RELEASED (FJ00-0314-00)		22FEB00	S.A	N.S	



- 取扱説明書: 411-5912
  - 本品はロックハウジング型番 1318695を装着して使用する。
  - 嵌合相手型番: 1318384
- INSTRUCTION SHEET: 411-5912
  - PLUG HOUSING MUST BE USED WITH LOCK HOUSING  
P/N: 1318695
  - PART NUMBER OF HOUSINGS TO BE MATED: 1318384

NATURAL	1318691-1
HOUSING COLOR	PART NUMBER

THIS DRAWING IS A CONTROLLED DOCUMENT FOR AMP INCORPORATED. IF IT IS SUBJECT TO CHANGE, AND THE CONTROLLING ENGINEERING ORGANIZATION SHOULD BE CONTACTED FOR THE LATEST REVISION.		DWN S. AMEMIYA 22FEB00	Tyco Electronics AMP K.K. Kawasaki, Japan												
DIMENSIONS: 単位: ㎜		CHK N. SAI 22FEB00													
TOLERANCES UNLESS OTHERWISE SPECIFIED: 一般公差 = ±0.3		APVD N. SAI 22FEB00													
<table border="1"> <tr><td>0-PLC</td><td>±</td></tr> <tr><td>1-PLC</td><td>±</td></tr> <tr><td>2-PLC</td><td>±</td></tr> <tr><td>3-PLC</td><td>±</td></tr> <tr><td>4-PLC</td><td>±</td></tr> <tr><td>ANGLES</td><td>±3°</td></tr> </table>		0-PLC	±	1-PLC	±	2-PLC	±	3-PLC	±	4-PLC	±	ANGLES	±3°	PRODUCT SPEC 108-5660	<b>20 POSITION PLUG ASSEMBLY</b> <b>025 IDC CONNECTOR</b>
0-PLC	±														
1-PLC	±														
2-PLC	±														
3-PLC	±														
4-PLC	±														
ANGLES	±3°														
MATERIAL FORM HSG: PBT CONT: Cu Alloy		APPLICATION SPEC 取付用規格 114-5276													
FINISH HSG: SEE TABLE CONT: POST TIN		WEIGHT 6.1g	<table border="1"> <tr> <td>SIZE A2</td> <td>CAGE CODE 00779</td> <td>DRAWING NO C-1318691</td> </tr> </table>	SIZE A2	CAGE CODE 00779	DRAWING NO C-1318691									
SIZE A2	CAGE CODE 00779	DRAWING NO C-1318691													
CUSTOMER DRAWING			<table border="1"> <tr> <td>SCALE 4:1</td> <td>SHEET 1</td> <td>OF 1</td> <td>REV 0</td> </tr> </table>	SCALE 4:1	SHEET 1	OF 1	REV 0								
SCALE 4:1	SHEET 1	OF 1	REV 0												