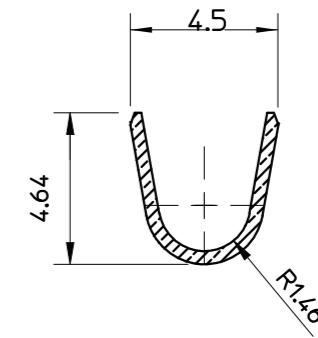
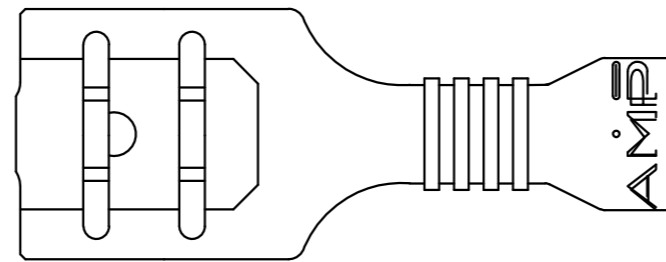


SECTION A-A



SECTION B-B



NOTE:
 1. INITIAL INSERTION FORCE:
 P/Nos 190538-1 & -2: 60N MAX
 P/Nos 190538-4, -7 : 80N MAX

	-	PRE TIN	BRASS	190538-7
SUPERSEDED BY -7	-	TIN PLATED	BRASS	190538-4
	-	-	NICKEL SILVER	190538-2
	-	-	BRASS	190538-1
	REMARKS	FINISH	MATERIAL	PART No

WIRE RANGE: 0.5-1.5 sq mm				REMARKS				FINISH				MATERIAL				PART No			
INSULATION RANGE: Ø2.29-3.3 mm				DATE				23/3/94				CHK W RIEDE				APP -			
SIZE				DR H THAI				NAME				RECEPTACLE, FASTON, 0.250				LOC CODE			
D1				ECR-09-014312 P/N -8 REMOVED				WR				24 JUN 09				APP -			
D				ECR-09-006384 P/N -8 ADDED				WR				19 MAR 09				U			
C				ECR-05-016592				WR				29/11/05				U			
B				ECN FA 00 0003 95				BL				17/5/95				U			
A				ECN 94009				BL				22/2/94				U			
P	F	LTR	REVISION RECORD	APP	DATE	SCALE	AS	SIZE	DWG No.	SHEET	REV								
						4:1	or SHOWN	A3	C-190538	1 OF 1	D1								

THIS INFORMATION IS CONFIDENTIAL AND DISCLOSED TO YOU ON CONDITION THAT NO FURTHER DISCLOSURE IS MADE BY YOU TO OTHER THAN AMP PERSONNEL WITHOUT WRITTEN AUTHORIZATION FROM AUSTRALIAN AMP