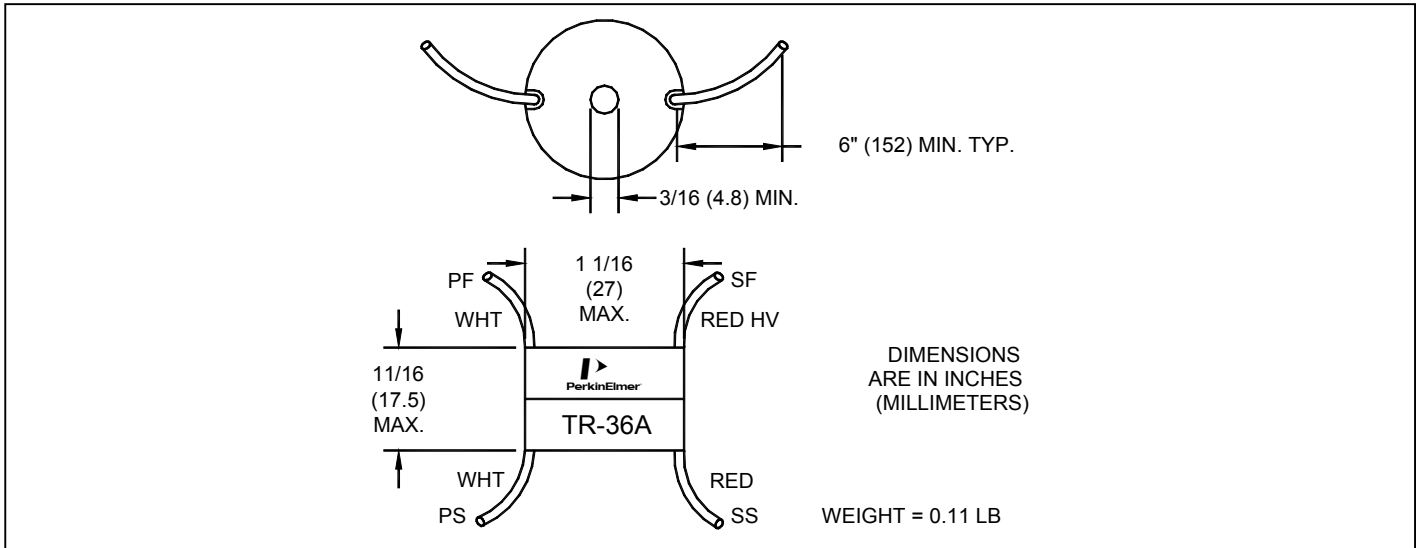


TR-36A EXTERNAL TRIGGER TRANSFORMER

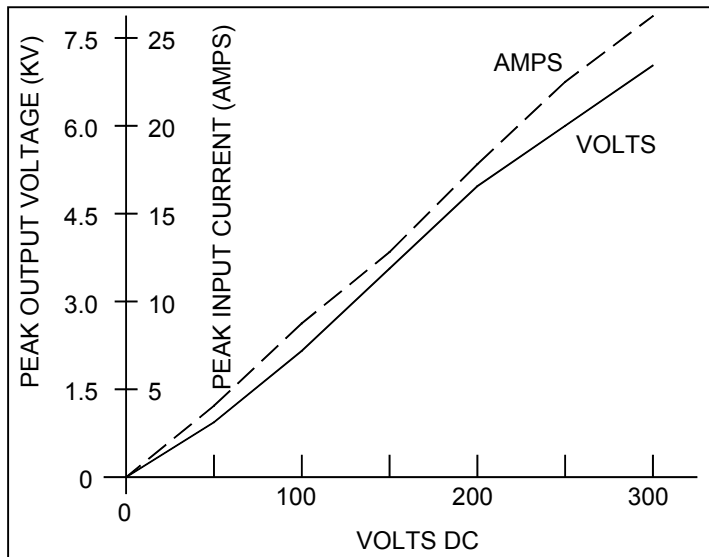


OUTLINE & MOUNTING DIMENSIONS

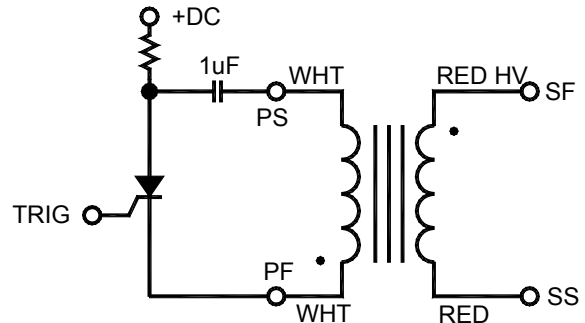
SPECIFICATIONS

Maximum DC input	250 Volts
Primary peak current	25 Amps
Turns ratio (secondary to primary)	15:1
Hold-off voltage (secondary to primary)	500 VDC

Output voltage	5 KV
Rise time 10%-90%	1.0 uSec max.
Pulse width 50% amplitude	5.0 uSec min.



INPUT VS. OUTPUT



TYPICAL CIRCUIT

For more information e-mail us at opto@perkinelmer.com or visit our website at optoelectronics.perkinelmer.com
All values are nominal; specification subject to change without notice.

Worldwide Headquarters
PerkinElmer Optoelectronics
44370 Christy Street
Fremont, CA 94538
Telephone: +1 510-979-6500
Toll Free (North America): +1 800-775-OPTO (6786)
Fax: +510-687-1140
Email: opto@perkinelmer.com

Europe Headquarters
PerkinElmer Optoelectronics
Wenzel-Jaksch-Str. 31
D-65199 Wiesbaden, Germany
Telephone: +49 611 492 430
Fax: +49 611 492 165
Email: opto.Europe@perkinelmer.com

Asia Headquarters
PerkinElmer Optoelectronics
47 Ayer Rajah Crescent #06-12
Singapore 139947
Telephone: +65 6770 2022
Fax: +65 6775 1008
Email: opto.Asia@perkinelmer.com

