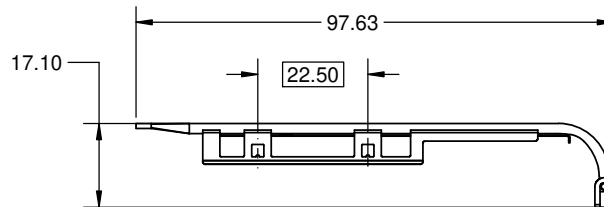
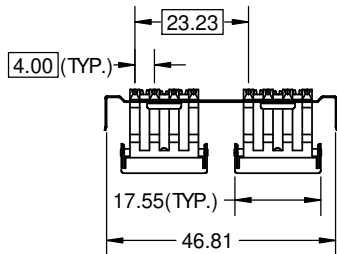
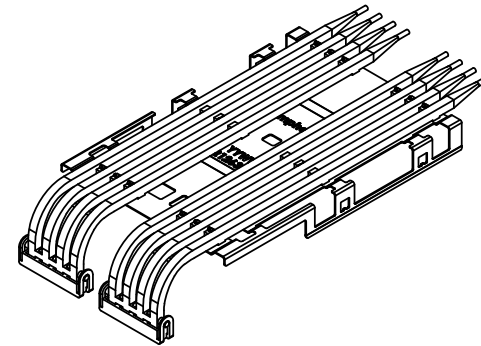
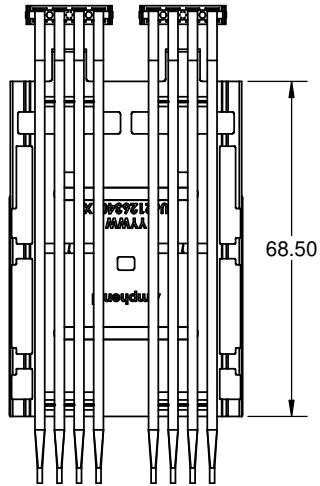


8 7 6 5 4 3 2 1

REVISIONS				
REV.	ECN	DESCRIPTION	DATE	APPROVED
A		PROPOSAL	02-MAR-20	J.S



NOTES:

- MATERIAL:  
LIGHT PIPE: CLEAR POLYCARBONATE  
  
LIGHT PIPE COVER: HIGH TEMP PLASTIC UL94-V0  
  
LIGHT PIPE BRACKET: CLIP: STAINLESS STEEL
- PACKAGING: TRAY PACKAGING.
- AMPHENOL PART NUMBER: U62-1263-4012P



DO NOT SCALE DRAWING

THIS DOCUMENT CONTAINS PROPRIETARY INFORMATION AND SUCH INFORMATION MAY NOT BE DISCLOSED TO OTHERS FOR ANY PURPOSE OR USED FOR MANUFACTURING PURPOSES WITHOUT PERMISSION FROM AMPHENOL CANADA CORP.

UNLESS OTHERWISE SPECIFIED DIMENSIONS ARE IN MILLIMETERS TOLERANCES ARE:		APPROVALS	DATE	Amphenol High Speed Interconnects A Division of Amphenol Corp. www.amphenol-hihspeed.com	
DECIMALS	ANGLES	DRAWN	Galen.L	02-MAR-20	TITLE
XX ± 0.35	± 0.5°	DESIGNED			1X4 OSP LP AND COVER AND BRACKET ASSY
X.XX ± 0.25		CHECKED	Chigow.X	02-MAR-20	
MATERIAL AND FINISH		QA APPD			
SEE NOTE 1					
REF.	EA/PPD			SIZE	DWG. NO.
				A3	P-U62-1263-4012P
CODE IDENT NO.	03554	DWG APPD	J.S	SCALE	1:1
			02-MAR-20	PROJECT	UE62
				SHEET	1 OF 1

8 7 6 5 4 3 2 1