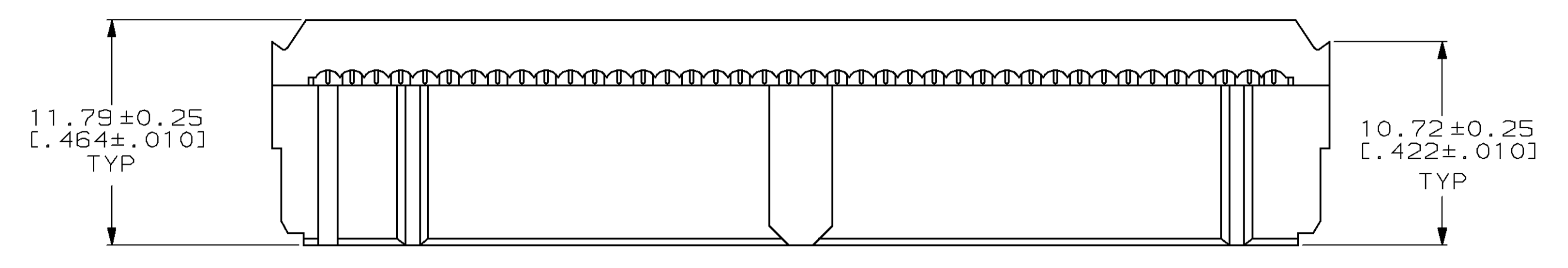
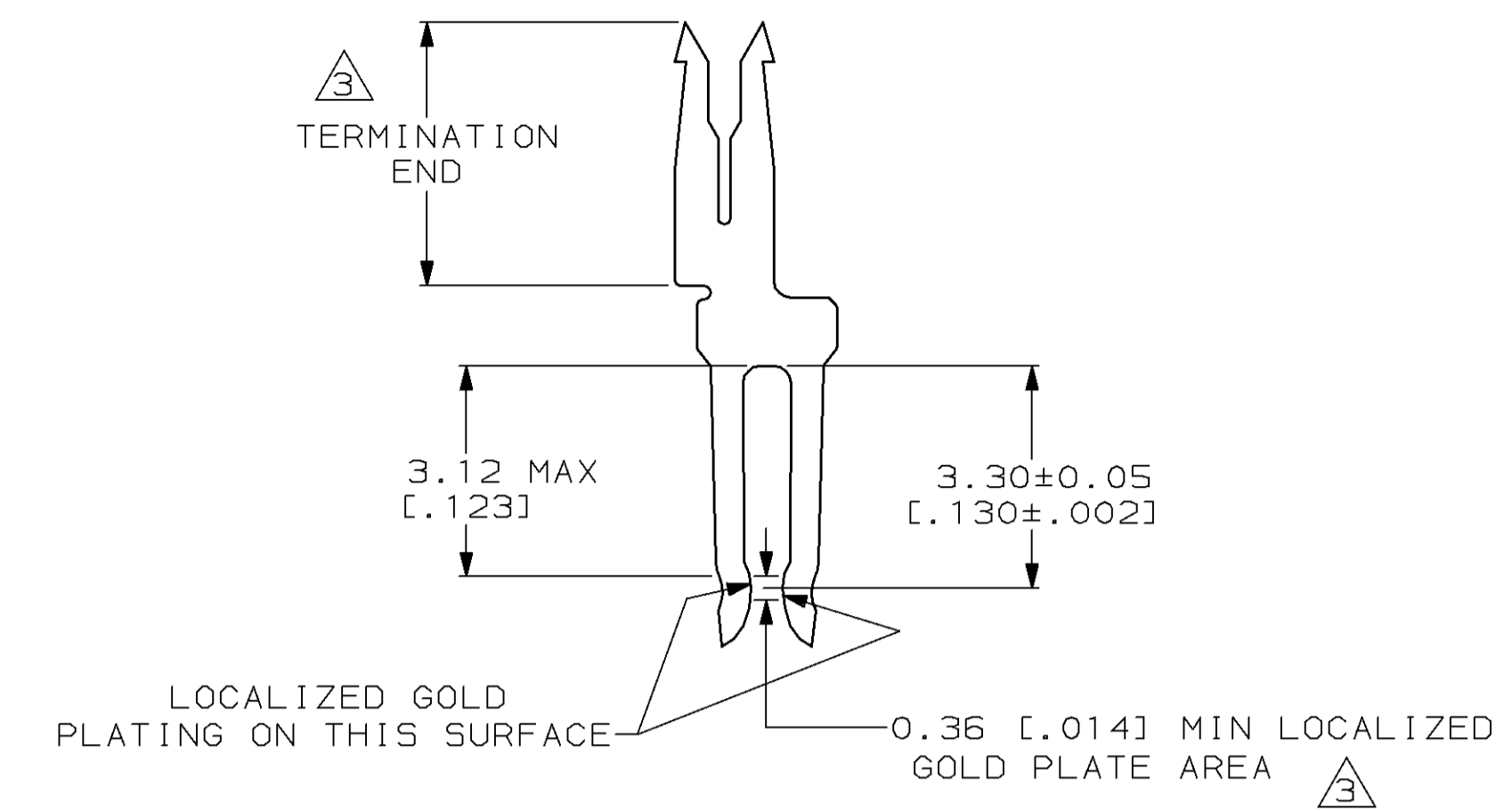


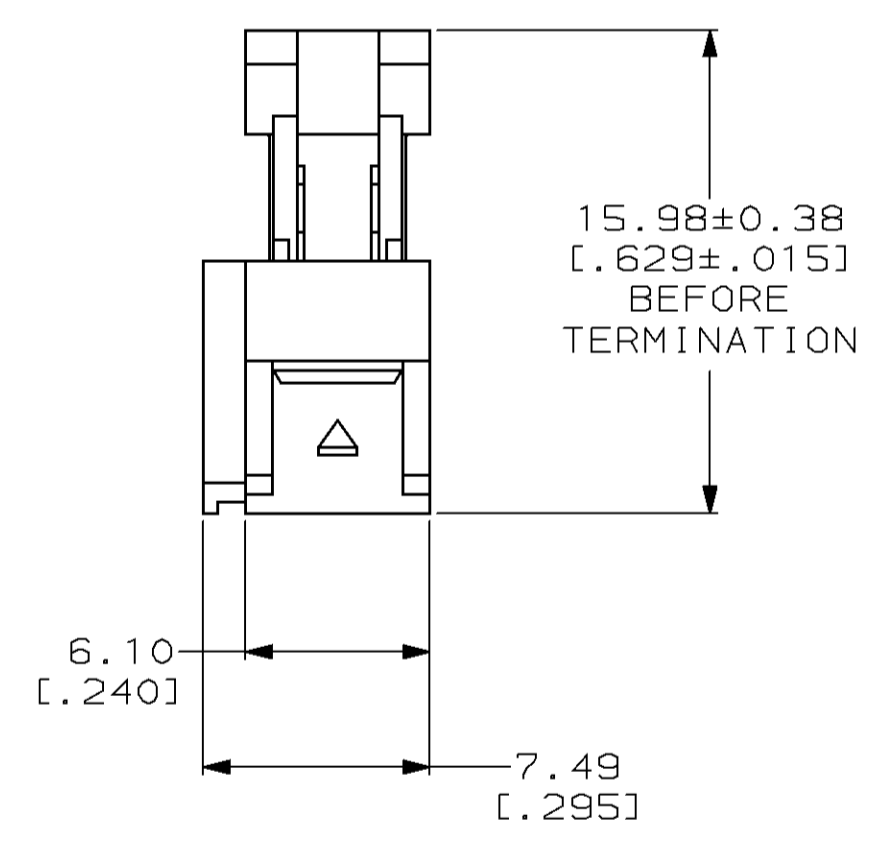
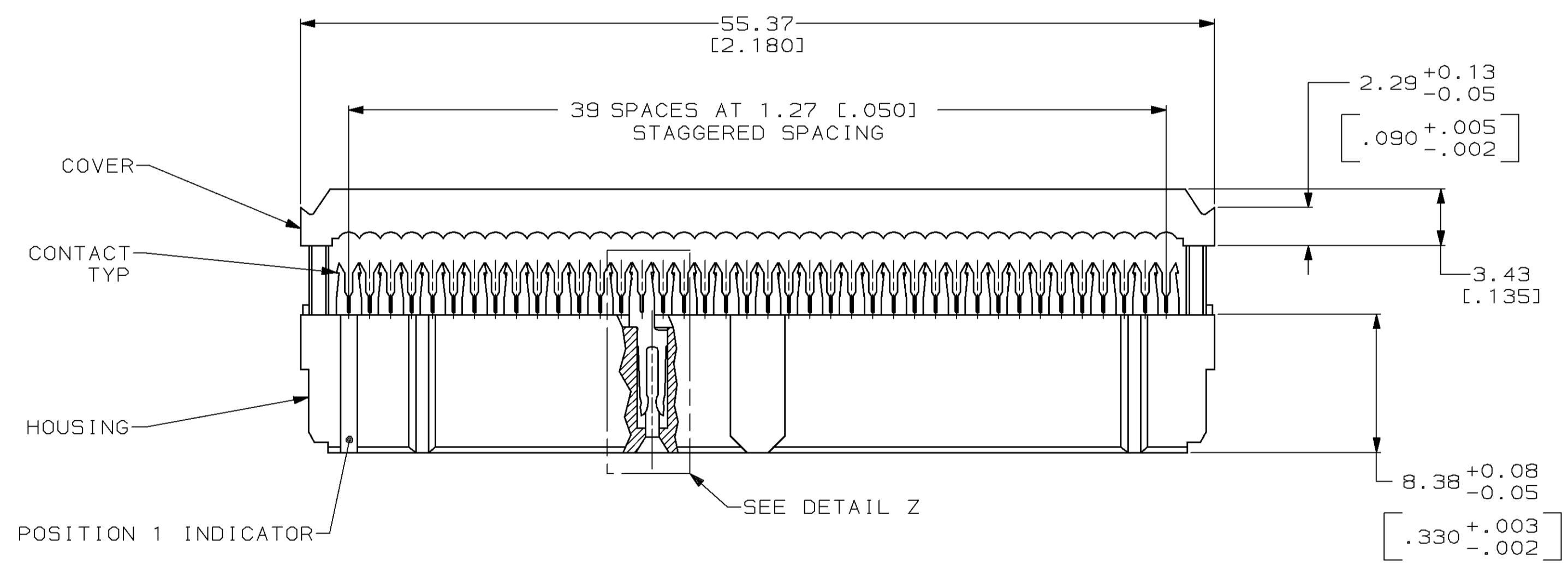
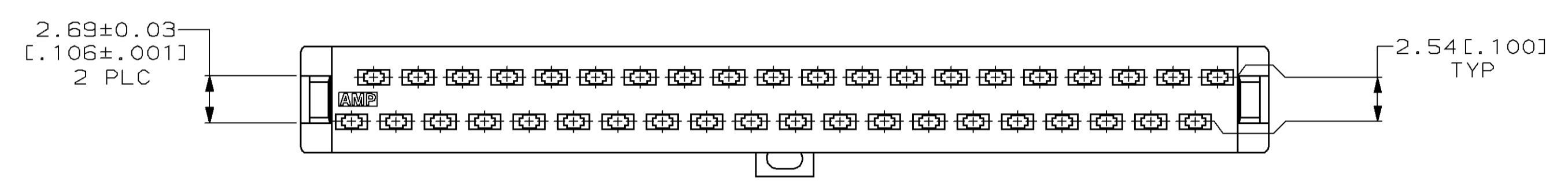
LOC		REVIS		REVISIONS		
AR	35	P	F	ZONE	LTR	DATE
				0		10/07/94
				DESCRIPTION		APPD
				RLSE PER NPR 5206		-



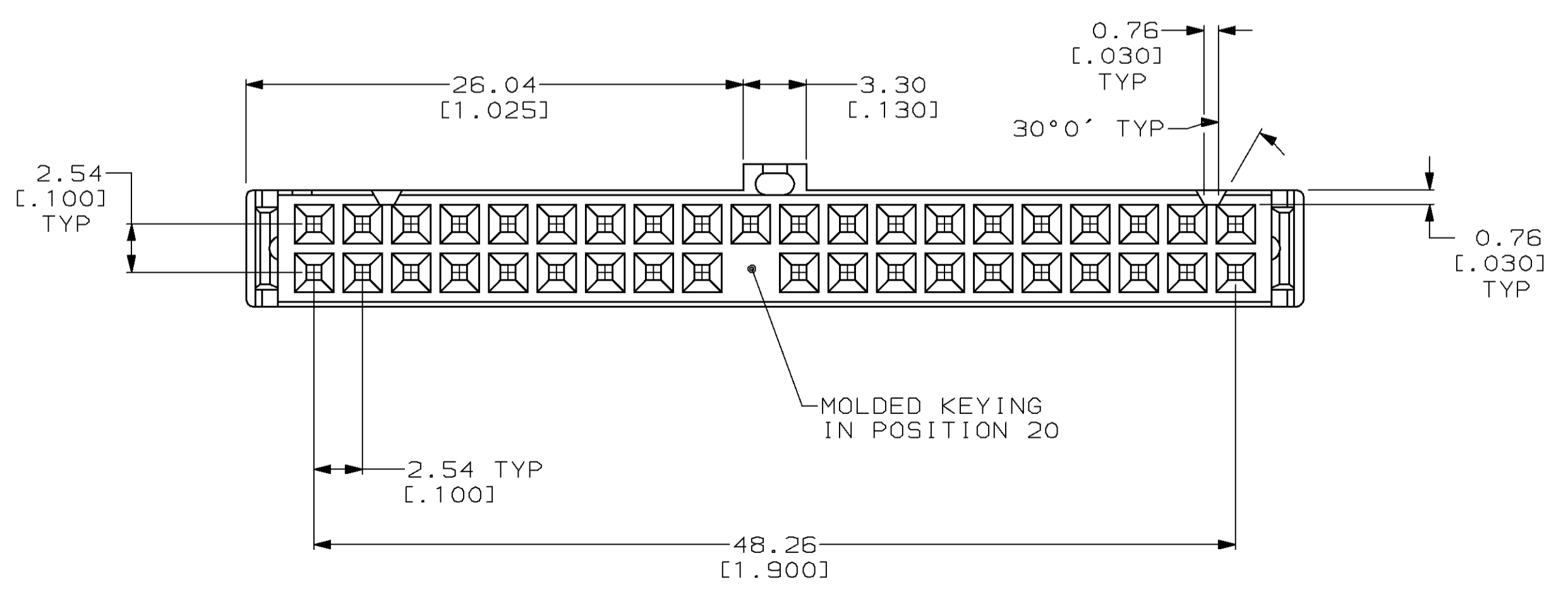
TERMINATED VIEW



DETAIL Z
 SCALE 10:1
 TYPICAL



- 1 POLYESTER, BLACK, UL RATED 94V-0.
- 2 PHOSPHOR BRONZE PER QQ-B-750.
- 3 0.38µm [0.000015] MIN GOLD ON LOCALIZED GOLD PLATE AREA, 2.54µm [0.000100] MIN TIN-LEAD ON TERMINATION END, ALL OVER 1.27µm [0.000050] MIN NICKEL ON ENTIRE CONTACT.



40	111877-1
NO OF POSN	PART NUMBER

DO NOT SCALE PRINT. UNLESS SPECIFIED DIMENSIONS IN mm [INCHES] TOLERANCES: ON: 2 PLC DEC ± 0.13 [0.005] 3 PLC DEC ± - ANGLES ± 0°30'		DR 10/07/94 K.FOLTZ		AMP Incorporated Harrisburg, PA 17105-3608	
MOLDED PARTS: 1 CONTACTS: 2		CHK 10/07/94 R.STONE			
FINISH CONTACTS: 3		APPD 10/10/94 D.KELLER		NAME	
		APPD 10/12/94 D.HOFFMAN		RECEPTACLE KIT, FULL COVER, CENTER & MILITARY POLARIZATION, NOV0, AMP-LATCH™	
		PRODUCT SPEC 108-40000		SIZE	
		APPLICATION SPEC 114-40005		CAGE CODE 00779	
		WEIGHT -		DRAWING NO C-111877	
				SCALE 4:1	
				SHEET 1 OF 1	

THIS DRAWING IS A CONTROLLED DOCUMENT FOR AMP INCORPORATED. IT IS SUBJECT TO CHANGE AND THE CONTROLLING ENGINEERING ORGANIZATION SHOULD BE CONTACTED FOR THE LATEST REVISION.