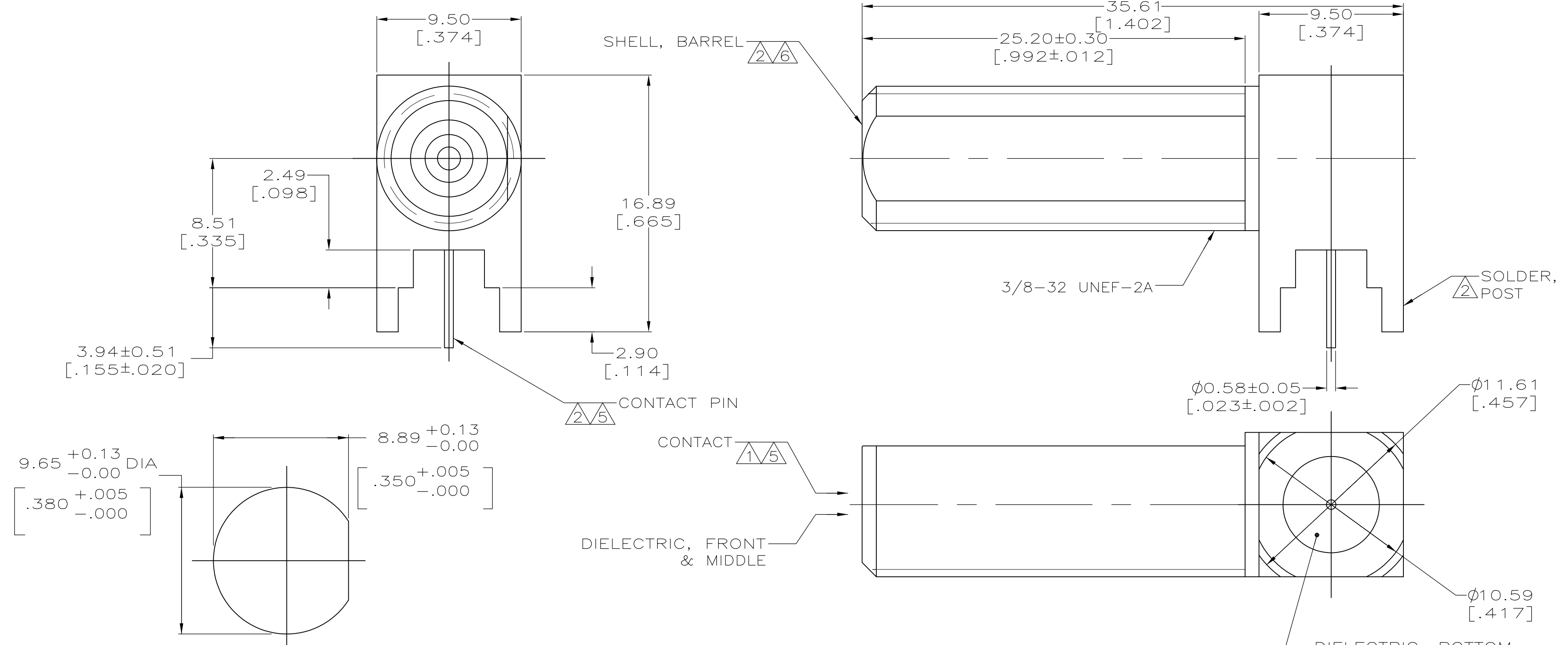
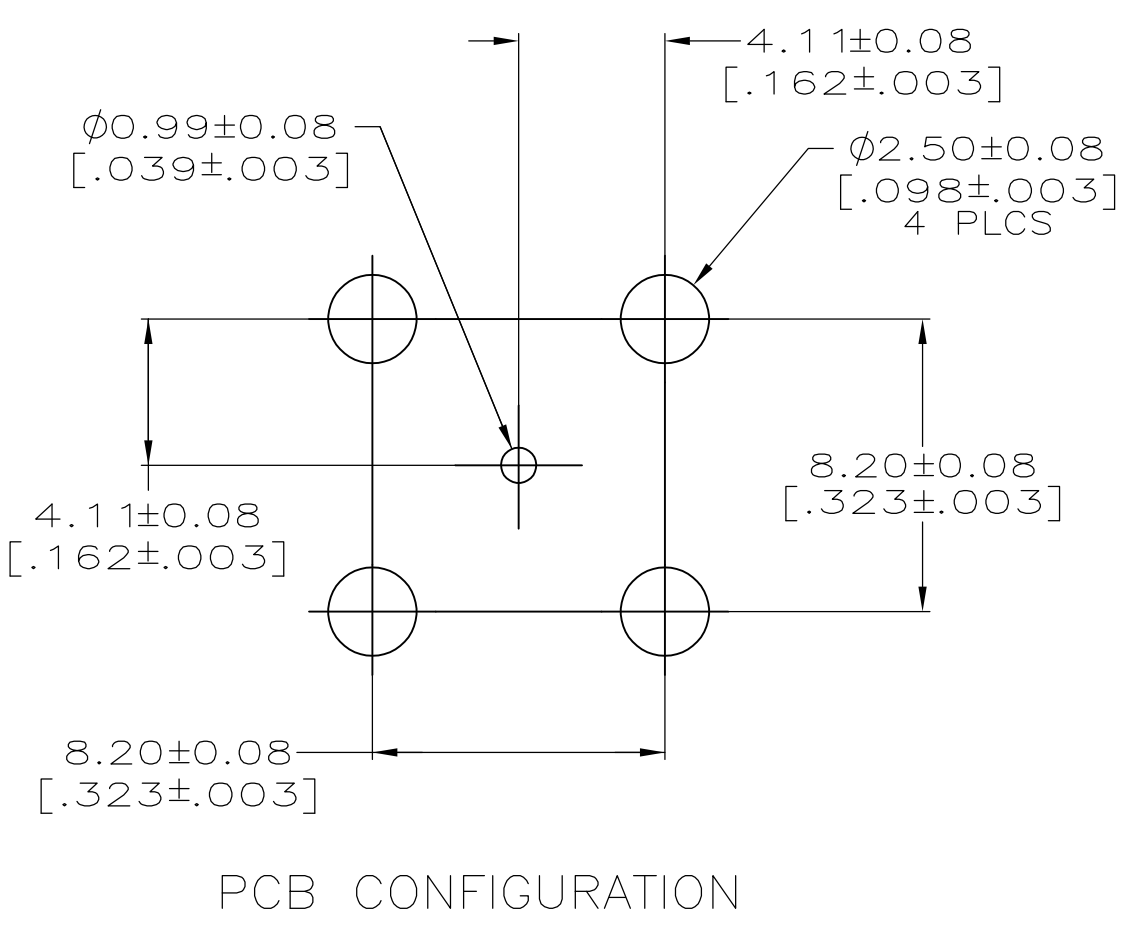


LOC	DIST	REVISIONS			
P	LTR	DESCRIPTION	DATE	OWN	APVD
AJ	00				
	J	REVISED PER ECO 06-016786	1/22/2007	DW	KW
	J1	REVISED PER ECO-09-020932	04SEP09	KK	AEG



- 1 PHOSPHOR BRONZE.
- 2 BRASS.
- 3 PTFE.
- 4 ACETAL, GENERAL PURPOSE
- 5 TIN PLATE 2.54 μm [0.00100] MINIMUM THICK.
- 6 NICKEL PLATE 2.54 μm [0.00100] MINIMUM THICK.
- 7 POLYPROPYLENE, GENERAL PURPOSE
- 8. CONNECTOR WILL ACCEPT CENTER CONDUCTOR DIAMETER RANGE OF .020-.047.
- 9 OBSOLETE PARTS: OBSOLETE CIS STREAMLINING PER D.RENAUD/D.SINISI

	1	2	3	4	5	6	7	8	9
SOLDER POST PLATING									
FRONT DIELECTRIC MATERIAL									
MIDDLE DIELECTRIC MATERIAL									
BOTTOM DIELECTRIC MATERIAL									
PART NUMBER									



THIS DRAWING IS A CONTROLLED DOCUMENT.

DIMENSIONS: mm [INCHES]	TOLERANCES UNLESS OTHERWISE SPECIFIED:	DWN J. LIPPERT 08AUG96	tyco Tyco Electronics Corporation Harrisburg, PA 17105-3608
0 PLC ± -	1 PLC ± -	CHK K. WEIDNER 10MAR97	APVD K. WEIDNER 10MAR97
2 PLC ± -	3 PLC ± 0.20 [0.008]	NAME JACK, PCB, RIGHT ANGLE, F SERIES	
4 PLC ± -	ANGLES ± -	PRODUCT SPEC 108-1755	
MATERIAL SEE NOTES 1-4, 7	FINISH SEE NOTE 5 & 6	WEIGHT -	SIZE A2 CAGE CODE 00779 DRAWING NO 415024
CUSTOMER DRAWING		RESTRICTED TO -	SCALE 5:1 SHEET 1 OF 1 REV J1