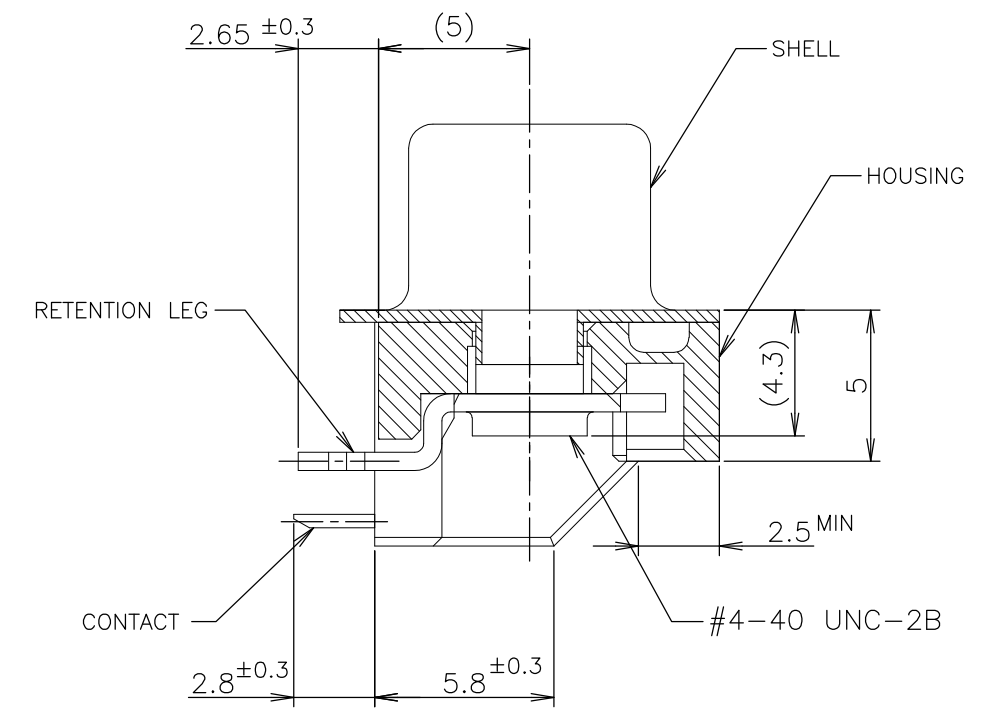
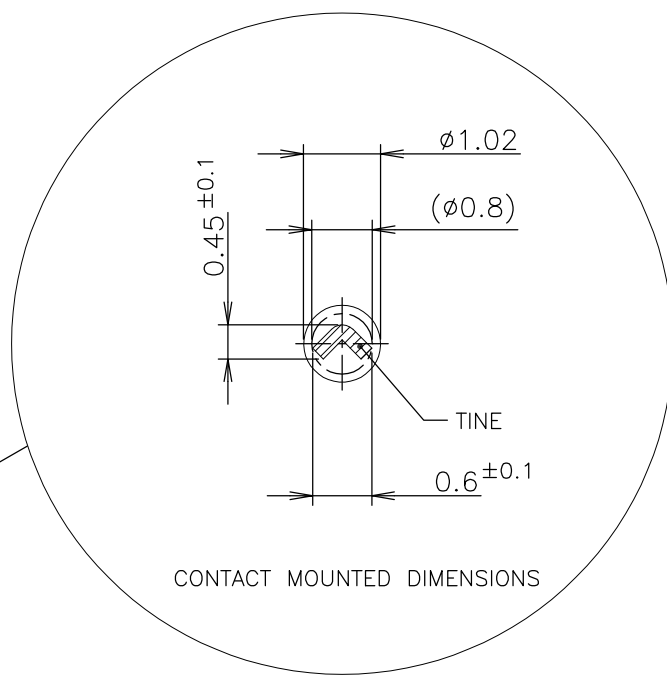
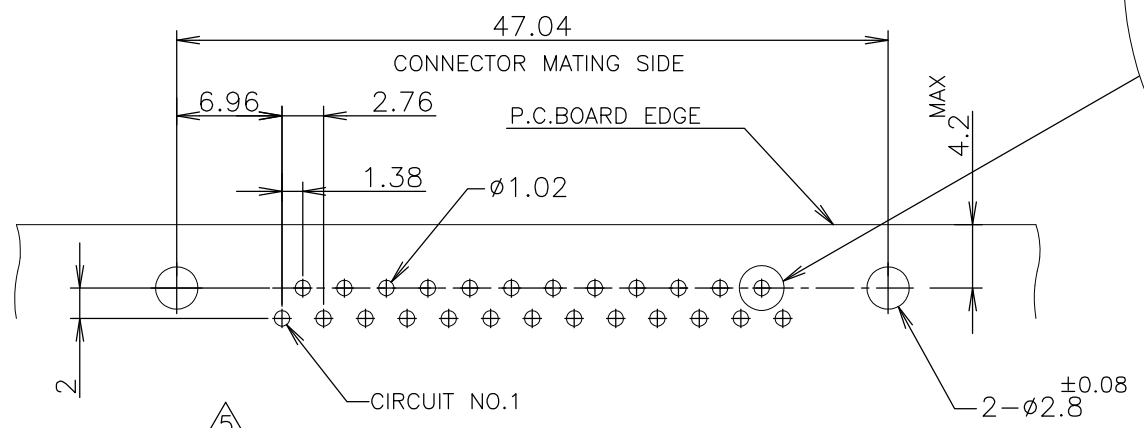
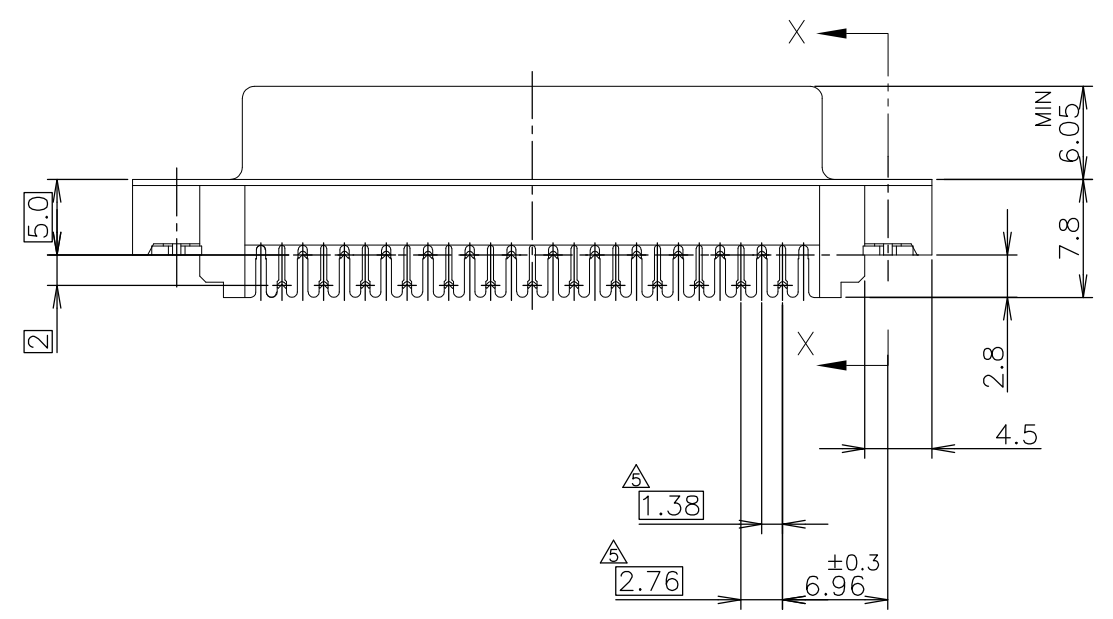
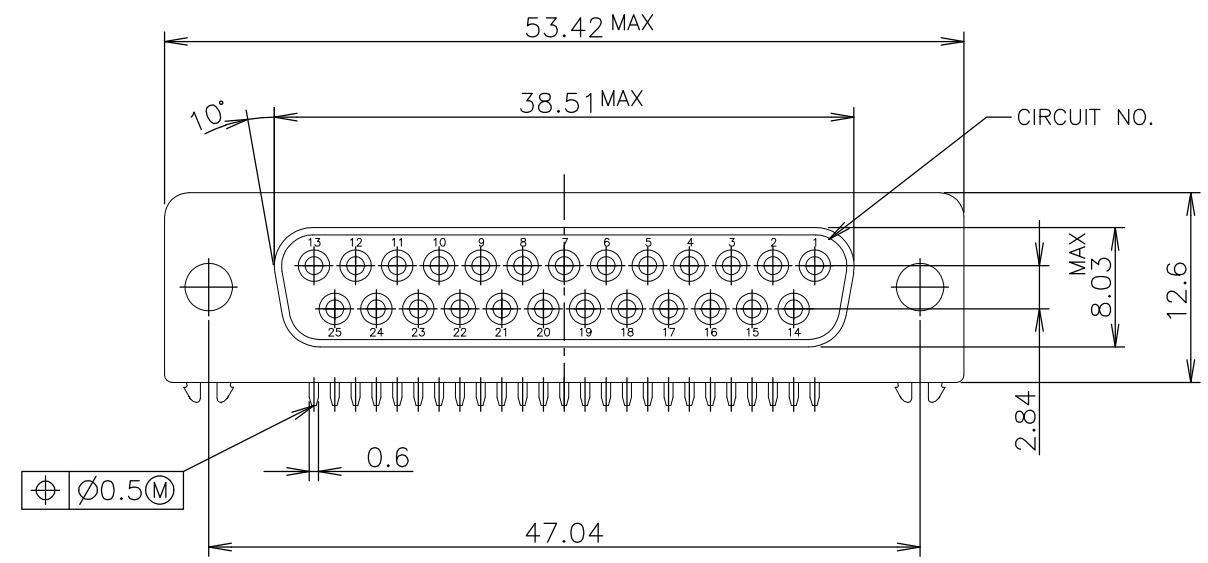


THIS DRAWING IS UNPUBLISHED. RELEASED FOR PUBLICATION JUN ,1994.
 © COPYRIGHT 1994 BY TYCO ELECTRONICS CORPORATION. ALL RIGHTS RESERVED.

| LOC | DIST | REVISIONS | | | |
|-----|------|-------------|---------------------------|---------|---------|
| P | LTR | DESCRIPTION | DATE | DWN | APVD |
| J | | A | RELEASE (ECR-05-001155) | 5APR05 | L.Z I.E |
| | | A1 | REVISED PER ECO-09-024927 | 10NOV09 | KK AEG |



- 1 THESE PRODUCTS CONFORM AMP SPEC 108-5400.
- △ MATERIAL
HOUSING: THERMOPLASTEC
SHELL: CARBON STEEL
CONTACT: COPPER ALLOY
RETENTION LEG: COPPER ALLOY
- △ FINISH
CONTACT: GOLD PL.
SHELL: TIN PL.
RETENTION LEG: TIN PL.
- 4 SCREWLOCK OR SCREW MUST BE ASSEMBLED BEFORE PLUG CONNECTOR MATING.
(SCREW ON TORQUE: 5kg-cmMAX)
- △ P. C. BOARD MOUNTING DIMENSION CONFORM MIL SPEC. (MS-18275)
- △ OBSOLETE PARTS: OBSOLETE CIS STREAMLINING PER D.RENAUD/D.SINISI

△ P. C. BOARD MOUNTING DIMENSIONS (±0.1)
THK=0.8~1.6

GENERAL TOLERANCE

| | |
|-------------|-------|
| 10 ≥ : | ±0.2 |
| 30 ≥ > 10: | ±0.25 |
| 100 ≥ > 30: | ±0.3 |
| ANGLES : | ±3° |

THIS DRAWING IS A CONTROLLED DOCUMENT.

| | |
|------------------------|--|
| DIMENSIONS: mm | TOLERANCES UNLESS OTHERWISE SPECIFIED: |
| | 0 PLC ± |
| | 1 PLC ± |
| | 2 PLC ± |
| | 3 PLC ± |
| | 4 PLC ± |
| | ANGLES ± |
| MATERIAL SEE NOTE 2 | FINISH SEE NOTE 3 |

| | |
|-----------------------|---|
| DWN LEO ZHOU 5APR05 | Tyco Electronics AMP K.K. Kawasaki, Japan |
| CHK STEVEN YAO 5APR05 | |
| APVD I.ENOMOTO 5APR05 | |
| PRODUCT SPEC | NAME RECEPTACLE ASSY RIGHT ANGLE SIZE 3, 25P LOW PROFILE STD-D P.C.B t=0.8~1.6 DIP L=2.80 AMPLIMITE III-J ULTRA SLIM HD-20 |
| APPLICATION SPEC | SIZE CAGE CODE DRAWING NO RESTRICTED TO |
| WEIGHT | A3 00779 C-5179953 |
| CUSTOMER DRAWING | SCALE 2:1 SHEET 1 OF 1 REV A1 |