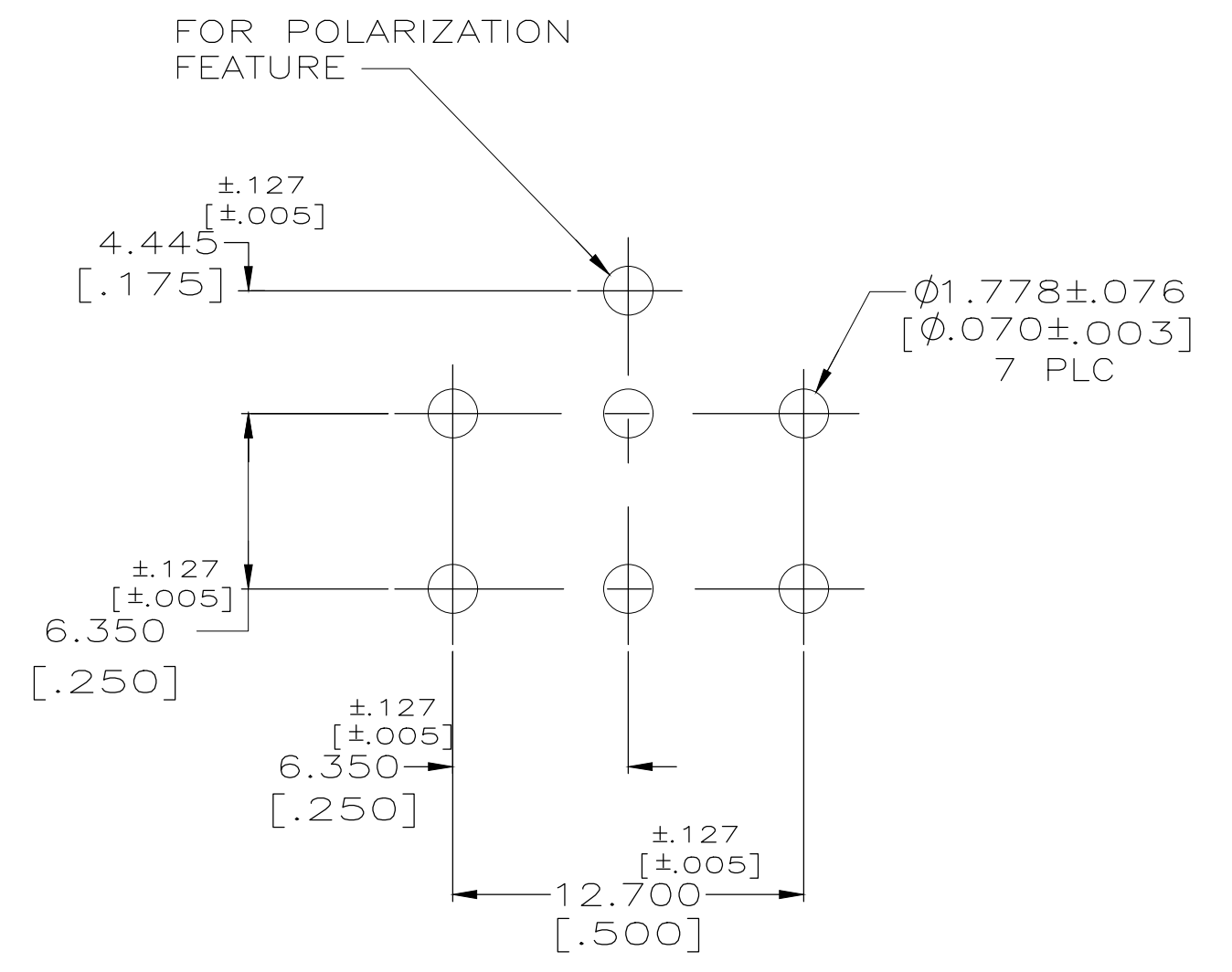
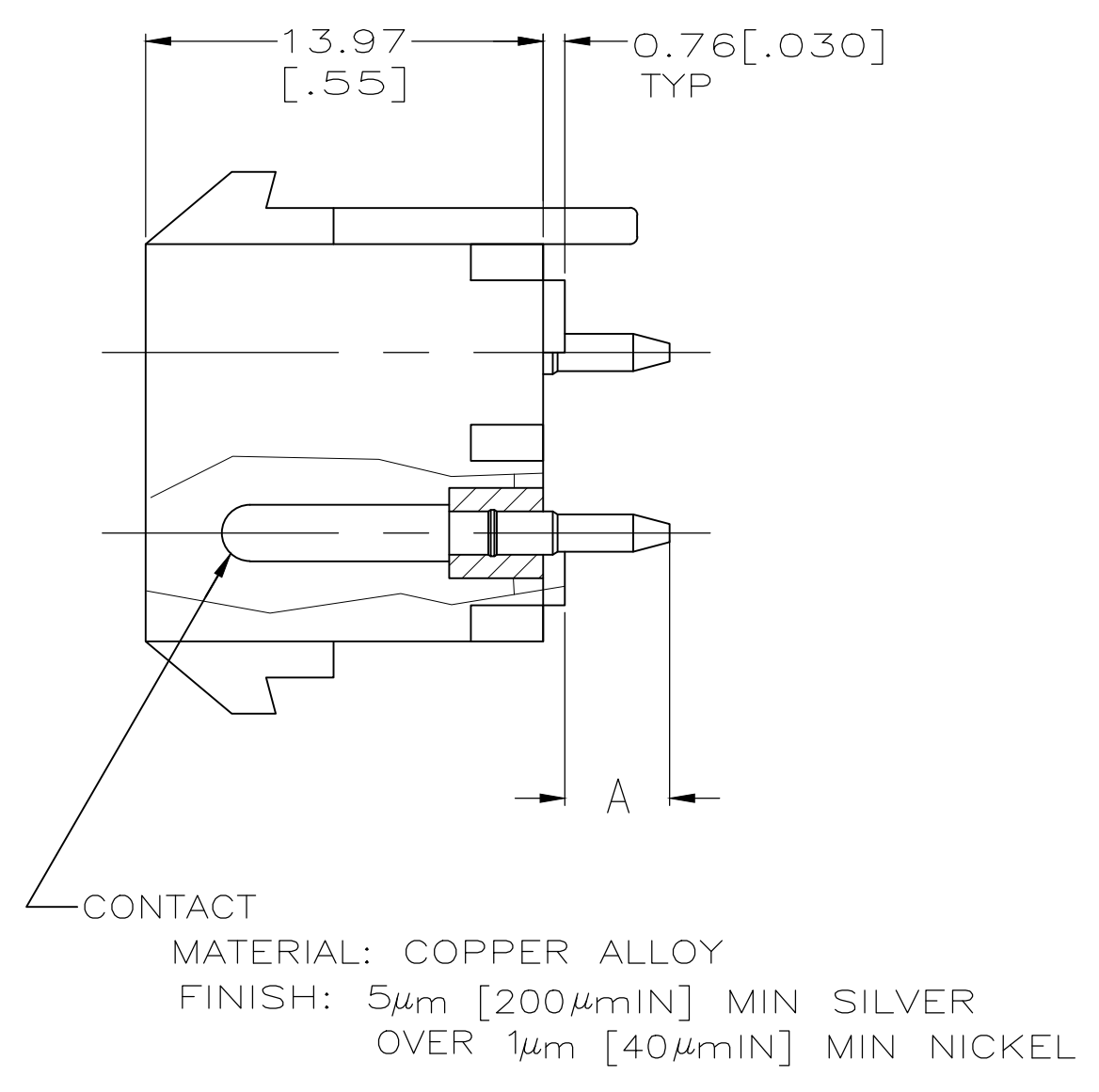
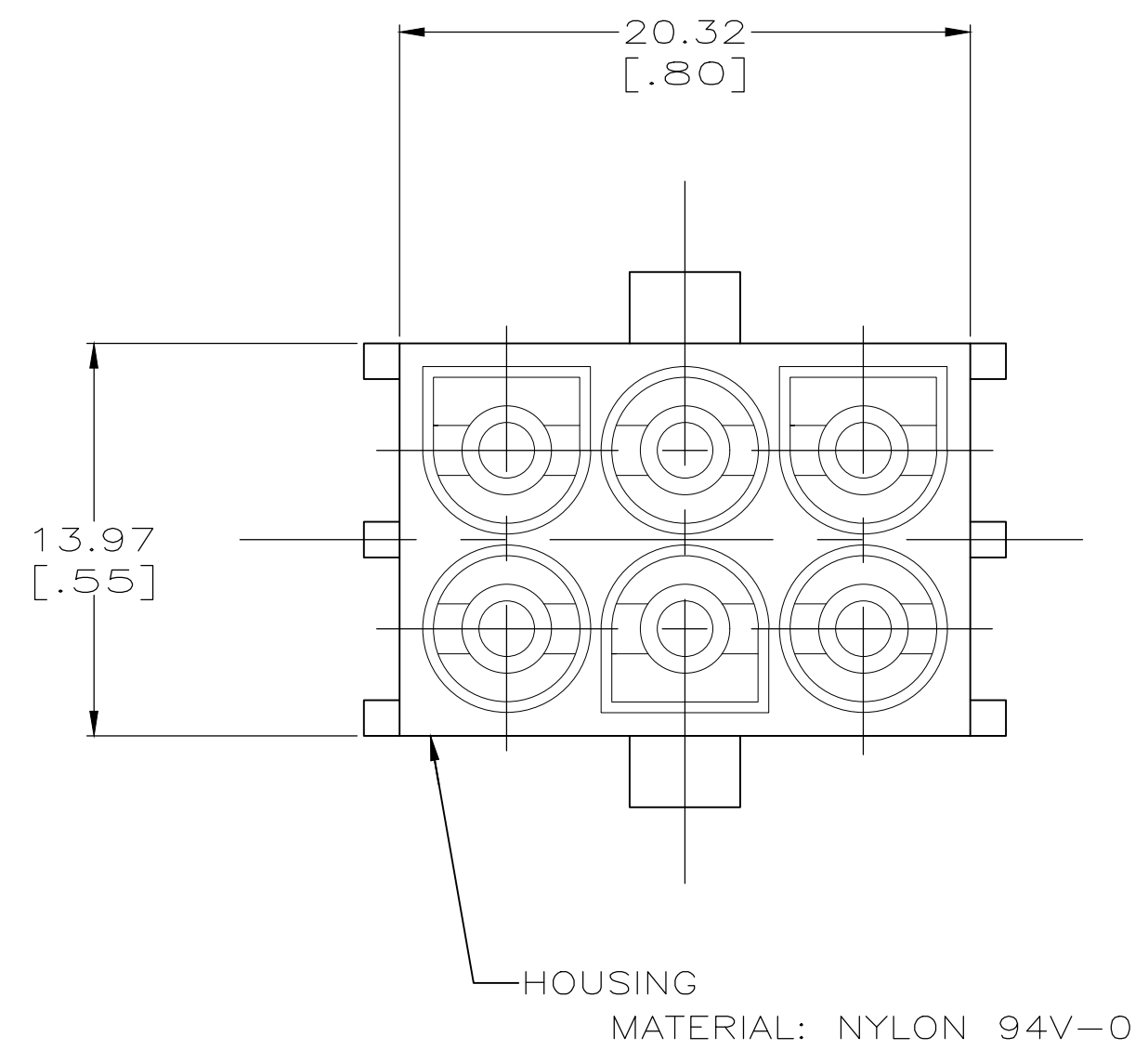


- MATES WITH MATE-N-LOK II PLUG CONNECTOR USING PART NUMBER 193797-1 OR 193842-1 SOCKET CONTACTS.
  - ALL DIMENSIONS ARE REFERENCE ONLY EXCEPT P.C. LAYOUT.
- 3** OBSOLETE PARTS: OBSOLETE CIS STREAMLINING PER D.RENAUD/D.SINISI



RECOMMENDED LAYOUT FOR P.C. BOARD

<b>3</b> OBSOLETE	TUBE	1.57 [.062]	3.68 [.145]	194002-3
OBSOLETE	BULK	3.17 [.125]	5.20 [.205]	194002-2
	BULK	1.57 [.062]	3.68 [.145]	194002-1
PACKAGING	PC BOARD THICKNESS	A		PART NUMBER

WIRE RANGE	Finish		Material	Part Number
INSUL RANGE	DIMENSIONS: mm DIMENSIONS APPLY BEFORE PLATING TOLERANCES UNLESS OTHERWISE SPECIFIED:		TE Connectivity	
SURF AREA	2 PLC ± - 3 PLC ± - ANGLES ± -	CHK 16/MAY/94	NAME HIGH CURRENT VERT. PIN HEADER ASSY; MATE-N-LOK II, 6 CIRCUIT	
	DWN 06/SEP/94 C. M. SVOBODA	APVD 16/MAY/94	SCALE	REV
			A2	H2
			DRAWING NO 194002	SHEET 1 OF 1

						APPL FEED	TRIMMING BURR
						WDW	IDW
						REELING	SPLICE
H2	REVISE PER ECO-19-010776	09OCT2020	OL	SZ			
P	LTR	REVISION RECORD	DATE	DWN	APVD		

THIS INFORMATION IS CONFIDENTIAL AND PROPRIETARY TO TE CONNECTIVITY AND ITS WORLDWIDE SUBSIDIARIES AND AFFILIATES (TE). IT MAY NOT BE DISCLOSED TO ANYONE OTHER THAN TE PERSONNEL, WITHOUT AUTHORIZATION FROM TE (www.te.com)