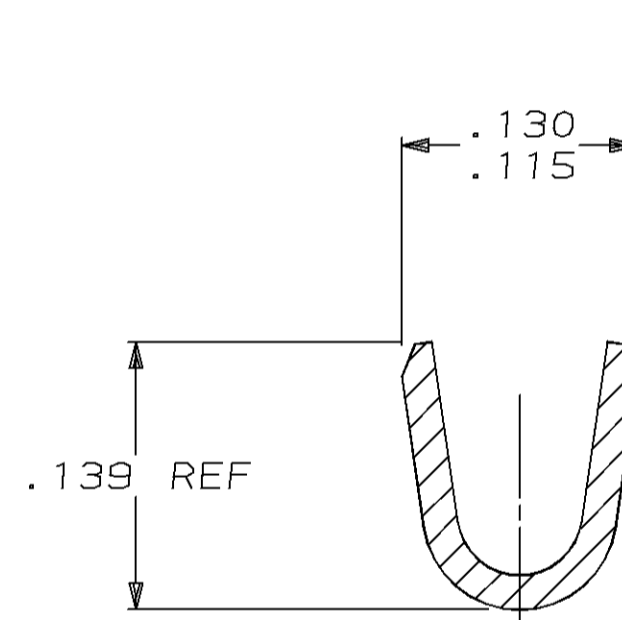
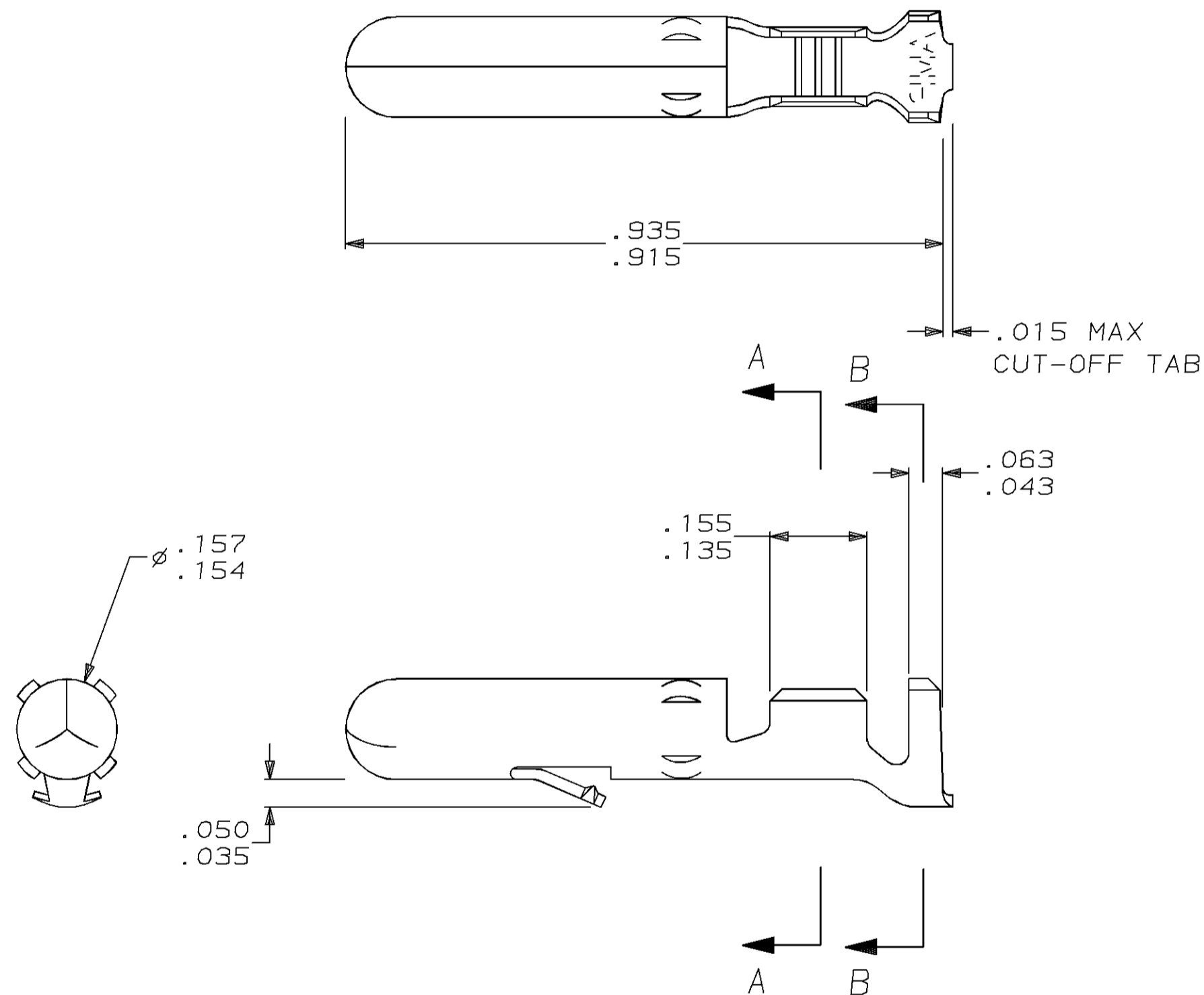


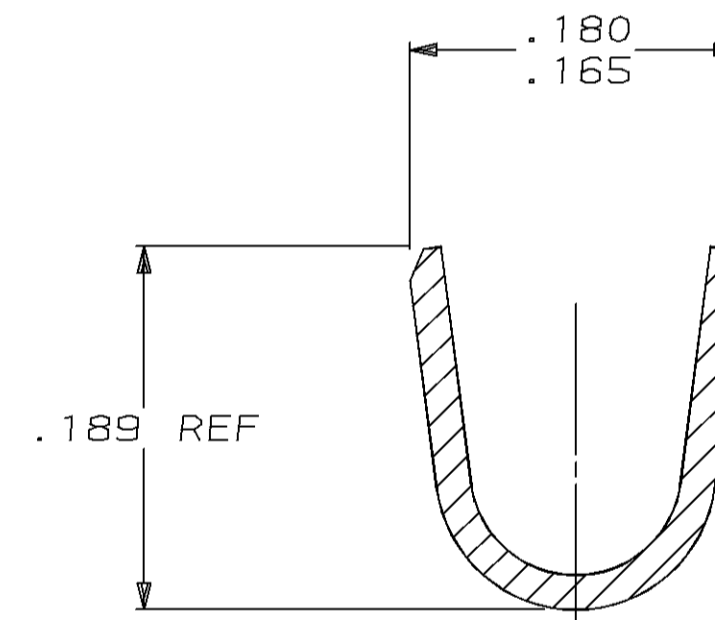
THIS DRAWING IS UNPUBLISHED. RELEASED FOR PUBLICATION
 BY AMP INCORPORATED. ALL RIGHTS RESERVED.

LOC	DIST	REVISIONS			
P	LTR	DESCRIPTION	DATE	DWN	APVD
CM	53	B	REACT & REDWN PER EC 0730-0171-96	6-25-96	BL RS

1. WIRE RANGE: 20-14 (0.5-2mm²) AWG
 INSULATION RANGE: .125 MAX.



SECTION A-A
SCALE 10:1



SECTION B-B
SCALE 10:1

IN	MM	IN	MM	IN	MM	IN	MM
.050	1.27	.139	3.53	.180	4.57		
.043	1.09	.135	3.43	.165	4.19		
.035	0.89	.130	3.30	.157	3.99		
.018	0.46	.125	3.18	.156	3.96	.935	23.75
.015	0.38	.115	2.92	.155	3.94	.915	23.24
.005	0.13	.063	1.60	.154	3.91	.189	4.80
IN	MM	IN	MM	IN	MM	IN	MM

CONVERSION TABLE

METRIC

TIN	.018 BRASS	61251-1
FINISH	MATERIAL	PART NO

THIS DRAWING IS A CONTROLLED DOCUMENT.		DWN B. LEWIS 6-25-96	AMP Incorporated Harrisburg, PA 17105-3608	
DIMENSIONS: INCHES		CHK R. SWING 6-25-96	AMP	
TOLERANCES UNLESS OTHERWISE SPECIFIED:		APVD C. MARTIN 6-25-96		
0 PLC ±		NAME	PIN, LOOSE PIECE, .156 MATE-N-LOK™	
1 PLC ±		PRODUCT SPEC	SIZE	
2 PLC ±		APPLICATION SPEC	CAGE CODE	
3 PLC ±.005		WEIGHT	DRAWING NO	
4 PLC ±		CUSTOMER DRAWING	A2 00779 C-61251	
ANGLES ±		SCALE	SHEET	
FINISH PRE-TIN		5:1	1 OF 1	
		REV	B	