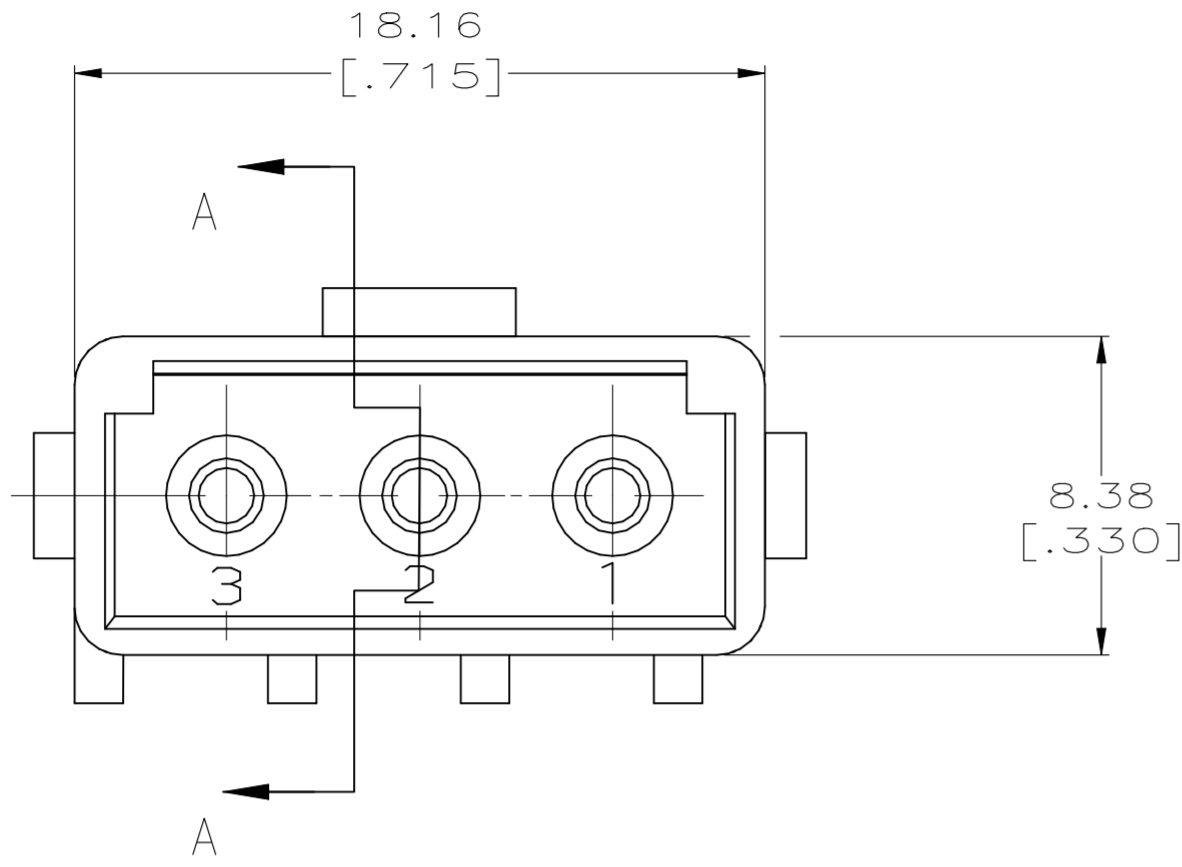
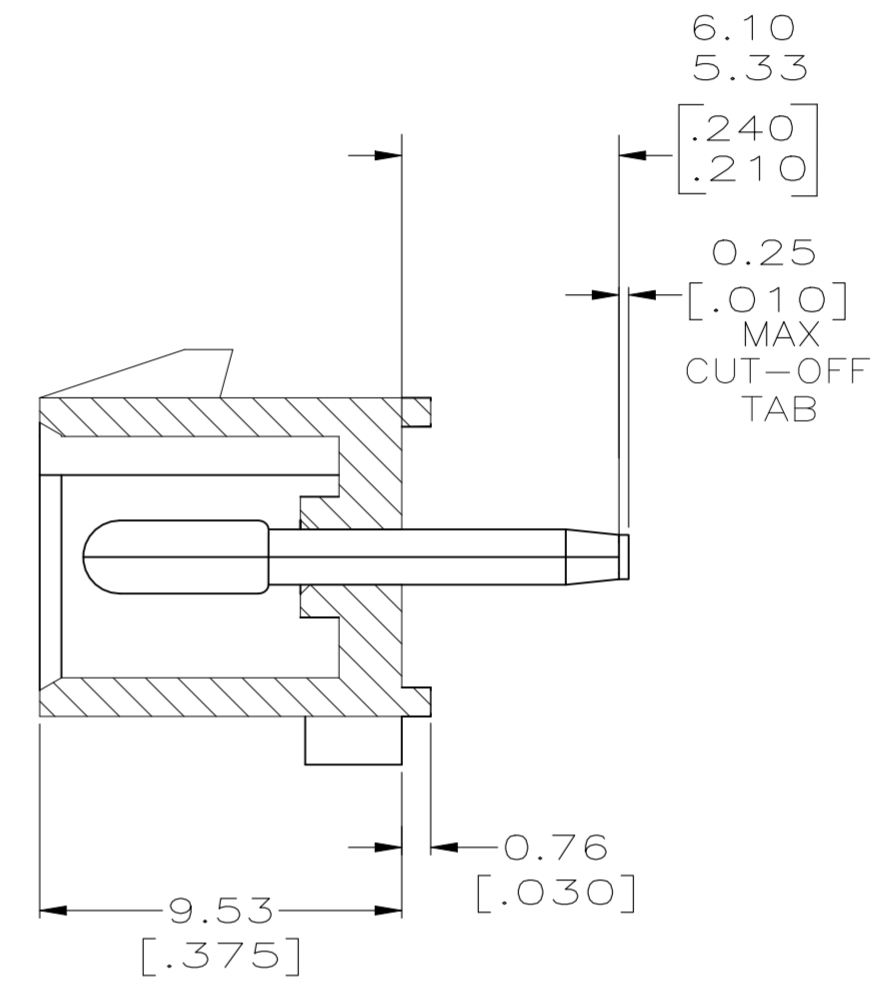


THIS DRAWING IS UNPUBLISHED. RELEASED FOR PUBLICATION .19  
 (C) COPYRIGHT 19 BY AMP INCORPORATED. ALL RIGHTS RESERVED.

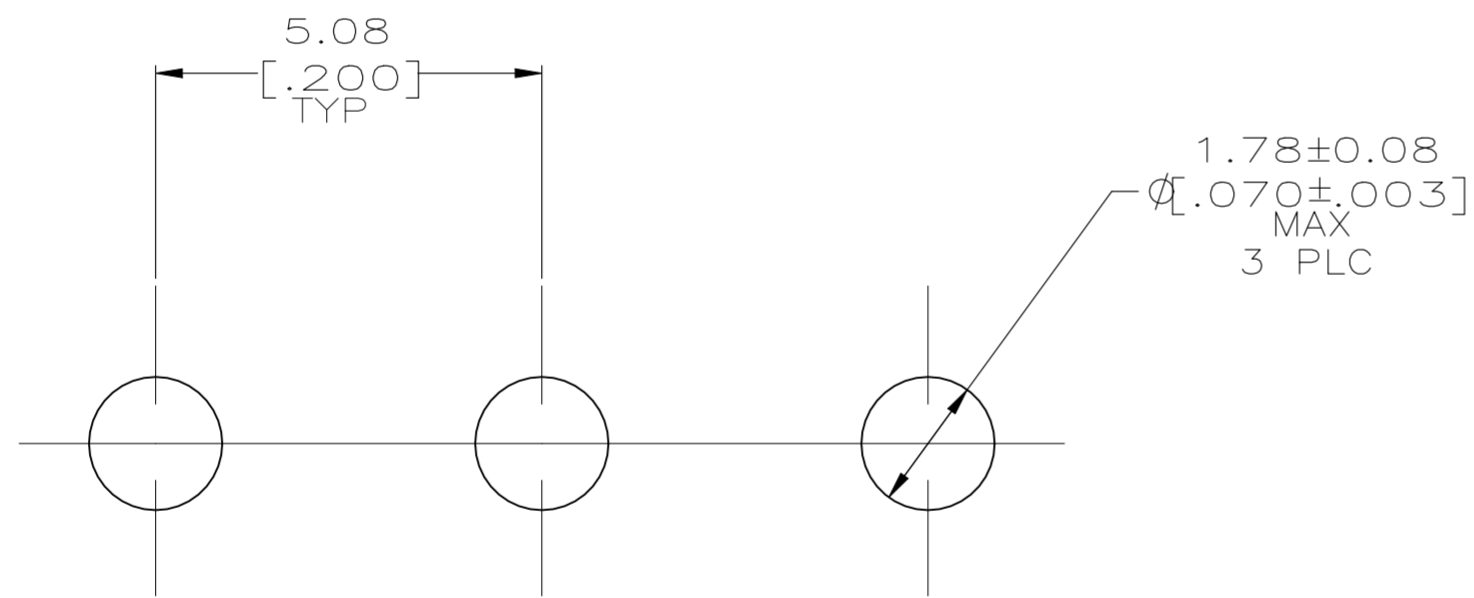
| LOC |     | DIST                            |           | REVISIONS |      |  |
|-----|-----|---------------------------------|-----------|-----------|------|--|
| P   | LTR | DESCRIPTION                     | DATE      | DWN       | APVD |  |
|     | N   | REACTIVATED -1 PER PR CM 94-73  | 7-25-94   | KS        | RS   |  |
|     |     | REV & REDWN PER EC 0730-0121-94 |           |           |      |  |
|     | N1  | REVISED PER ECR-21-117185       | 22OCT2021 | PJ        | VS   |  |



- PARTS MUST COMPLY WITH AMP SOLDERABILITY SPECIFICATION 109-11-3.
- DIMENSIONS IN BRACKETS ARE IN INCHES.
- DIMENSION SHOWN REPRESENT PRODUCT IN DRY CONDITION. ADDITIONAL 2% GROWTH DUE TO END USE LOCATION MOISTURE ABSORPTION MAY OCCUR AND SHOULD BE ACCOUNTED FOR.



SECTION A-A



RECOMMENDED P.C. BOARD LAYOUT  
 FOR 3.18 [.125] THICK P.C. BOARD  
 SCALE 10:1

|                               |                          |             |
|-------------------------------|--------------------------|-------------|
| COPPER ALLOY, PRE-TIN         | NYLON 6/6, NATURAL       | 350542-1    |
| PIN CONTACT MATERIAL & FINISH | HOUSING MATERIAL & COLOR | PART NUMBER |

|  |           |                              |  |
|--|-----------|------------------------------|--|
| <small>THIS DRAWING IS A CONTROLLED DOCUMENT FOR AMP INCORPORATED. IT IS SUBJECT TO CHANGE AND THE CONTROLLING ENGINEERING ORGANIZATION SHOULD BE CONTACTED FOR THE LATEST REVISION.</small> |           | DWN<br>K. SALMON<br>7-25-94  | AMP Incorporated<br>Harrisburg, PA 17105-3608                |
| DIMENSIONS:  |           | CHK<br>R. SWING<br>7-25-94   |  |
| mm [INCHES]  |           | APVD<br>C. MARTIN<br>7-28-94 |  |
|  |           | PRODUCT SPEC                 |  |
| TOLERANCES UNLESS OTHERWISE SPECIFIED:<br>0 PLC ±<br>1 PLC ±<br>2 PLC ±0.13[.005]<br>3 PLC ±<br>4 PLC ±<br>ANGLES ±0° 30'<br>FINISH  |           | APPLICATION SPEC             | NAME<br>HEADER ASSEMBLY, 3 CIRCUIT,<br>COMMERCIAL MATE-N-LOK |
| MATERIAL<br>SEE TABLE  | SEE TABLE | WEIGHT<br>-                  | SIZE<br>A2   |
| CUSTOMER DRAWING   |           | CAGE CODE<br>00779           | DRAWING NO<br>C=350542                                       |
|  |           | SCALE<br>5:1                 | SHEET<br>1 OF 1 REV<br>N1                                    |

**METRIC**