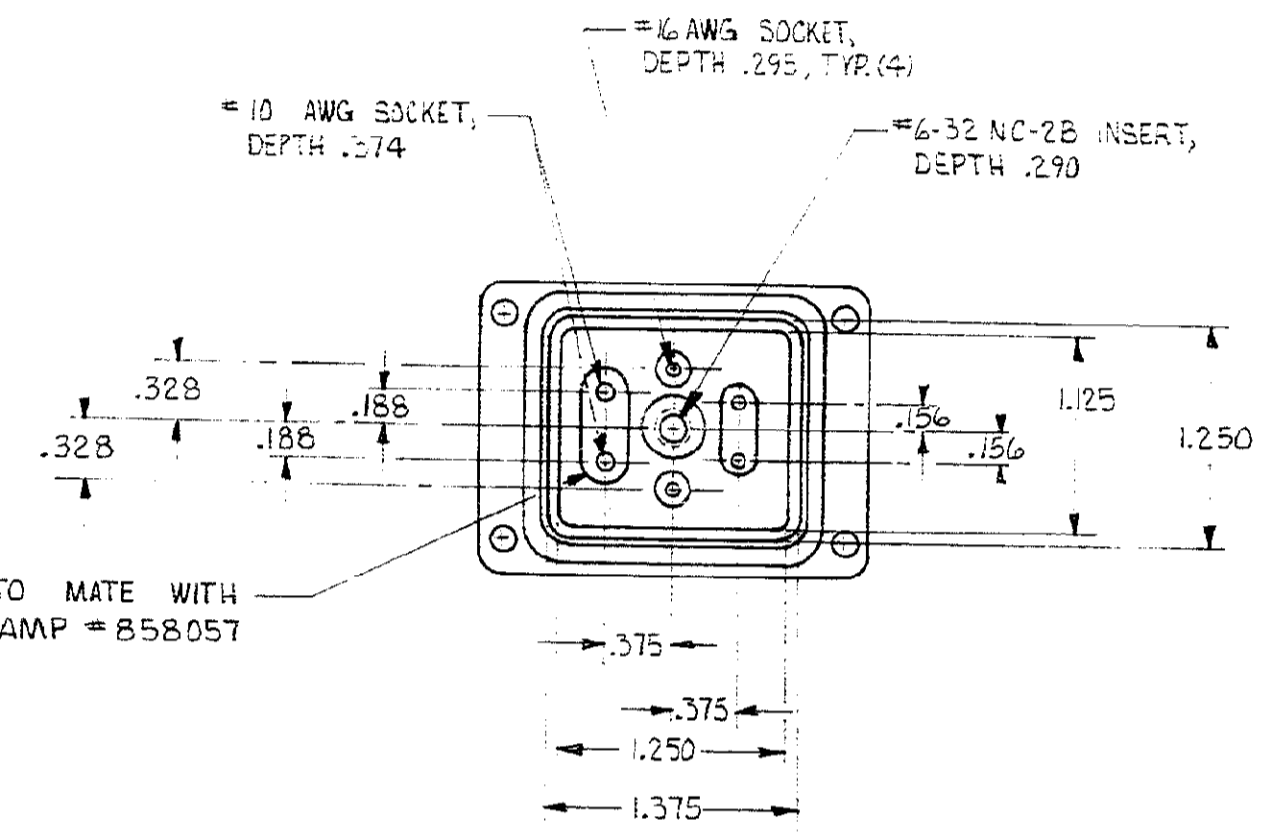
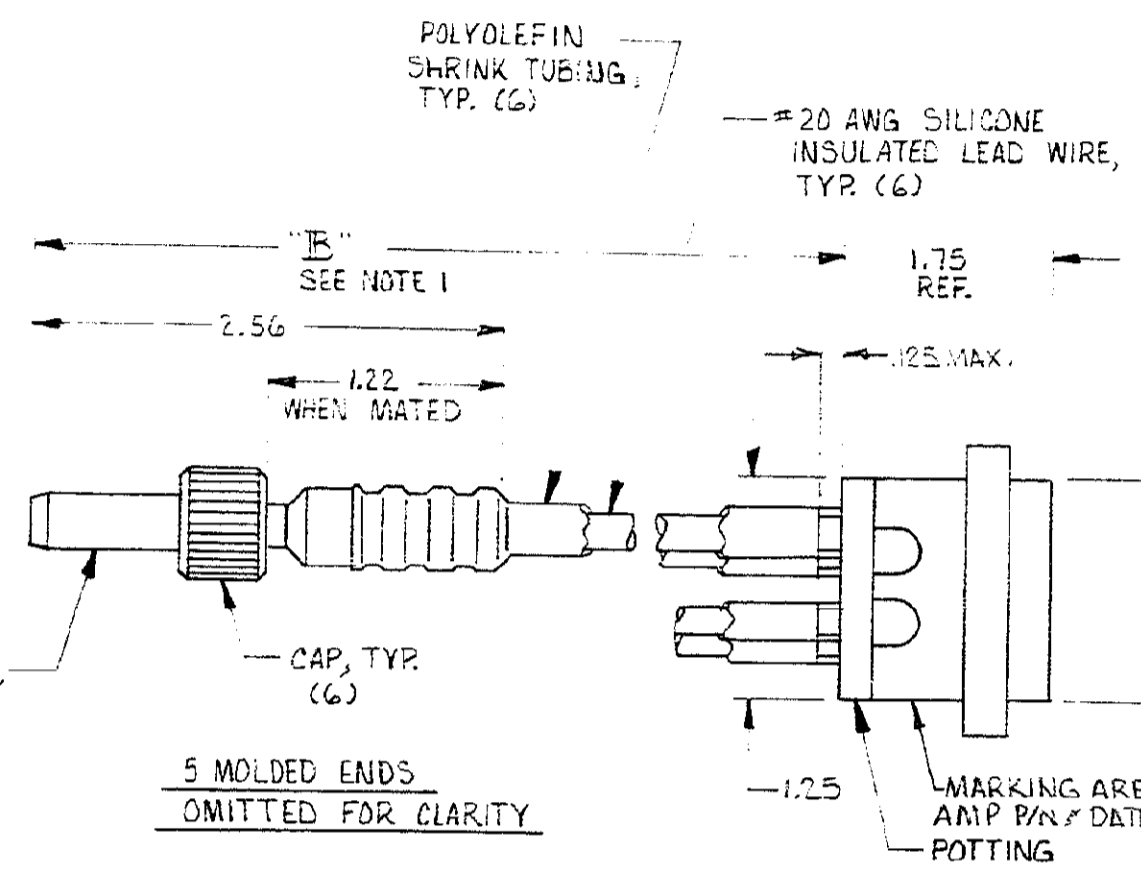
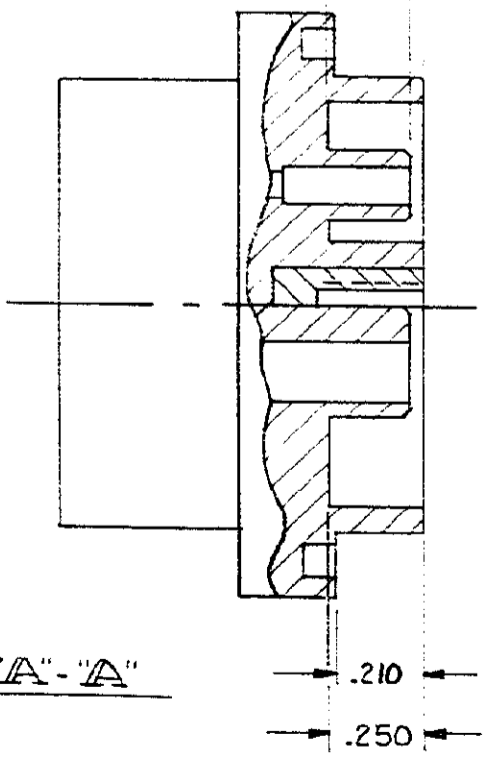
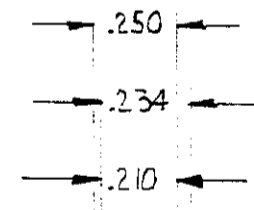
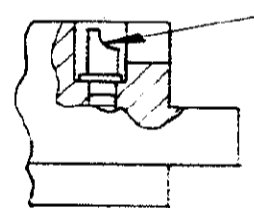
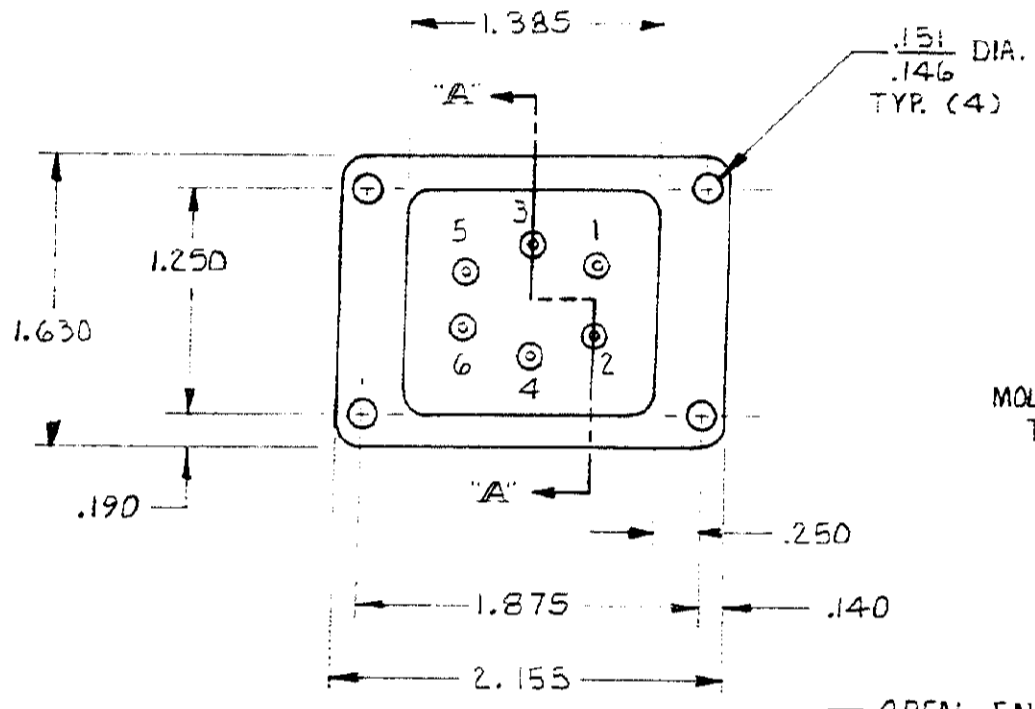
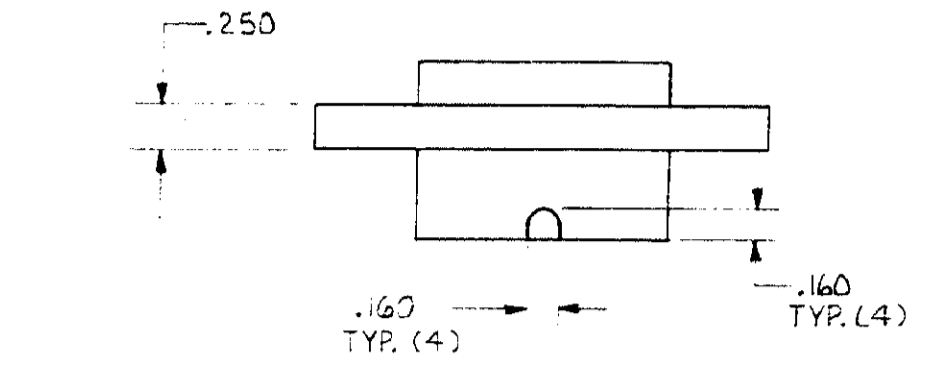


© COPYRIGHT 1977 BY AMP INCORPORATED, HARRISBURG, PA. ALL INTERNATIONAL RIGHTS RESERVED. AMP INCORPORATED PRODUCTS COVERED BY U. S. AND FOREIGN PATENTS AND OR PATENTS PENDING.

REVISIONS						
P	F	ZONE	LTR	DESCRIPTION	DATE	APPROVED
		A		REVISED NOTE 5 ECN 0188	11-17-77	<i>M. J.</i>
		B		ADDED MARKING AREA 2, 17, 18, 19, 20, 21, 22, 23, 24	7/7/77	<i>M. J.</i>
		C		REVISED PER ECO-09-010905	18MAY09	DE



- NOTE:
- TOLERANCE: UP TO 24" = ±.25  
24" & UP = ±2%
  - CUSTOMER MARKING, WHEN REQ'D: SEE CUSTOMERS LATEST SPEC. ON WHERE AND WHAT TO MARK. ALL MARKING TO BE IN BLACK.
  - POTTING COMPOUND: RTV-21 PER MIL-D-46838.
  - RECEP. MAT'L: MOLDED GLASS EPOXY PER MIL-M-24325.
  - HI-POT VOLTAGE: MATED CONDITION  
ALL TERMINALS TO SHELL: 17 KVDC.
  - Six position receptacle is not hermetically sealed

863461-1	36.00"
PART NO.	"B" DIM.

QTY REQD	APPLICATION	NEXT ASSY	USED ON

UNLESS OTHERWISE SPECIFIED DIMENSIONS ARE IN INCHES. TOLERANCES: .00 ± .02 .000 ± .005 ANGLES =	CONTRACT NO	Tyco Electronics Harrisburg, PA 17105-3608			
	DR DICK STONE 2-4-77 CHK			NAME RECEPTACLE & LEAD ASSEMBLY	
MATERIAL	APPD <i>M. J. Gardner</i> 2/4/77 APPD	SIZE C	CODE IDENT NO 00779	DRAWING NO 863461	LGH
FINISH	DSGN APPD	SCALE	SHEET 10/1		REV. C
OTHER APPD					