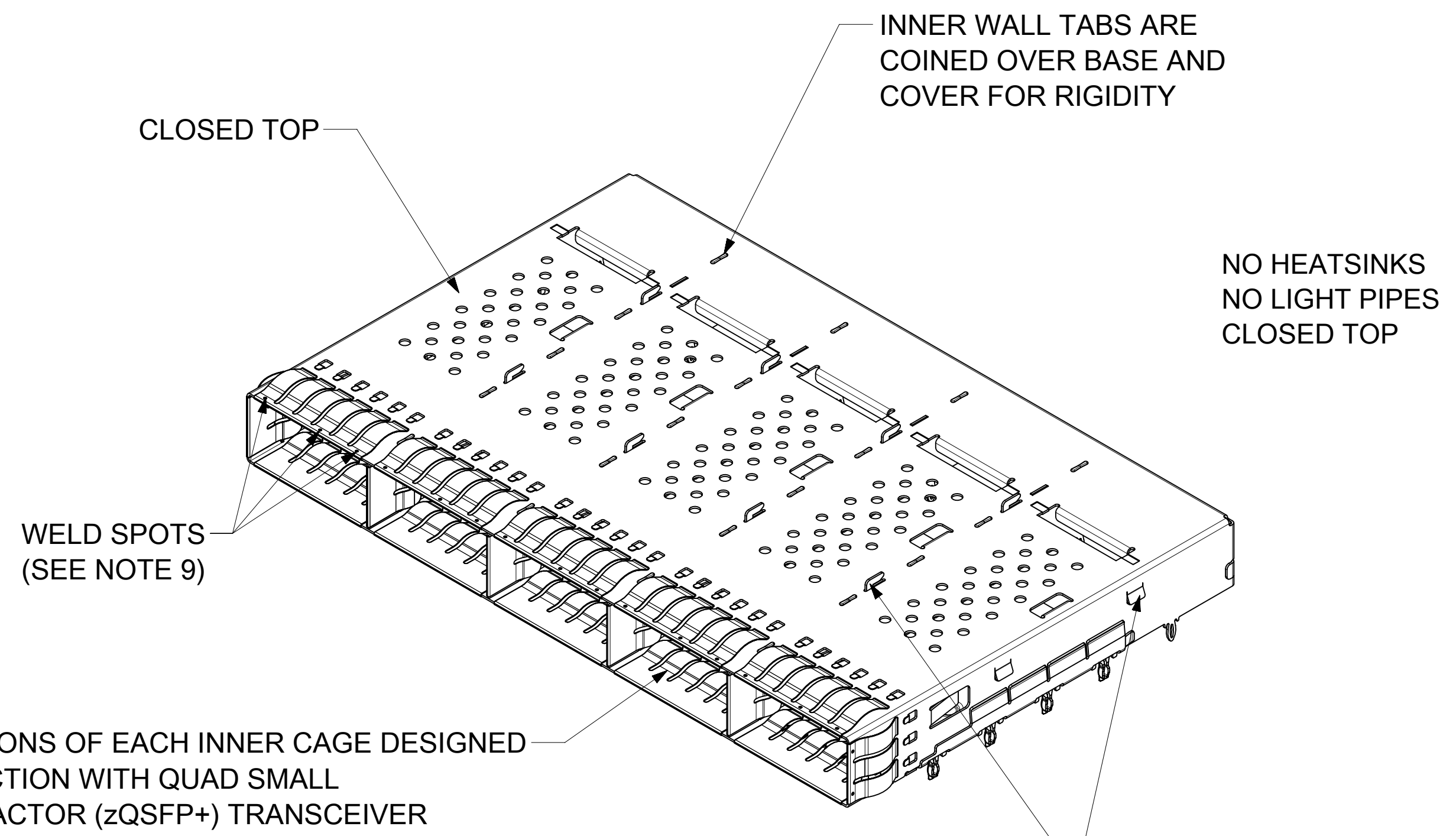
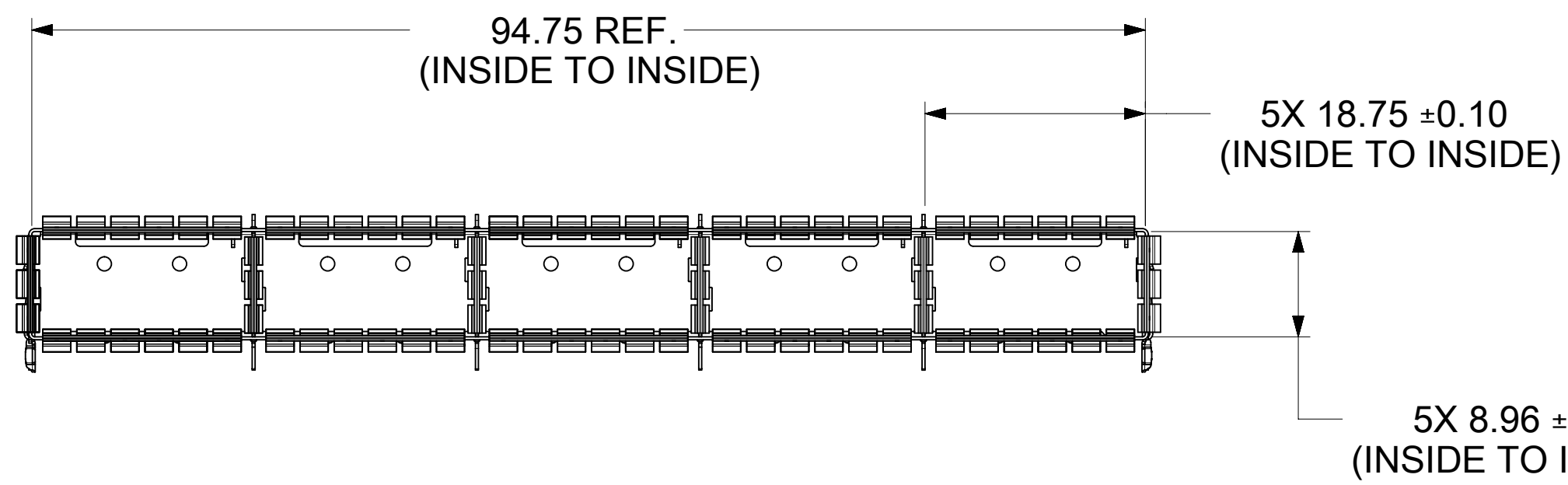
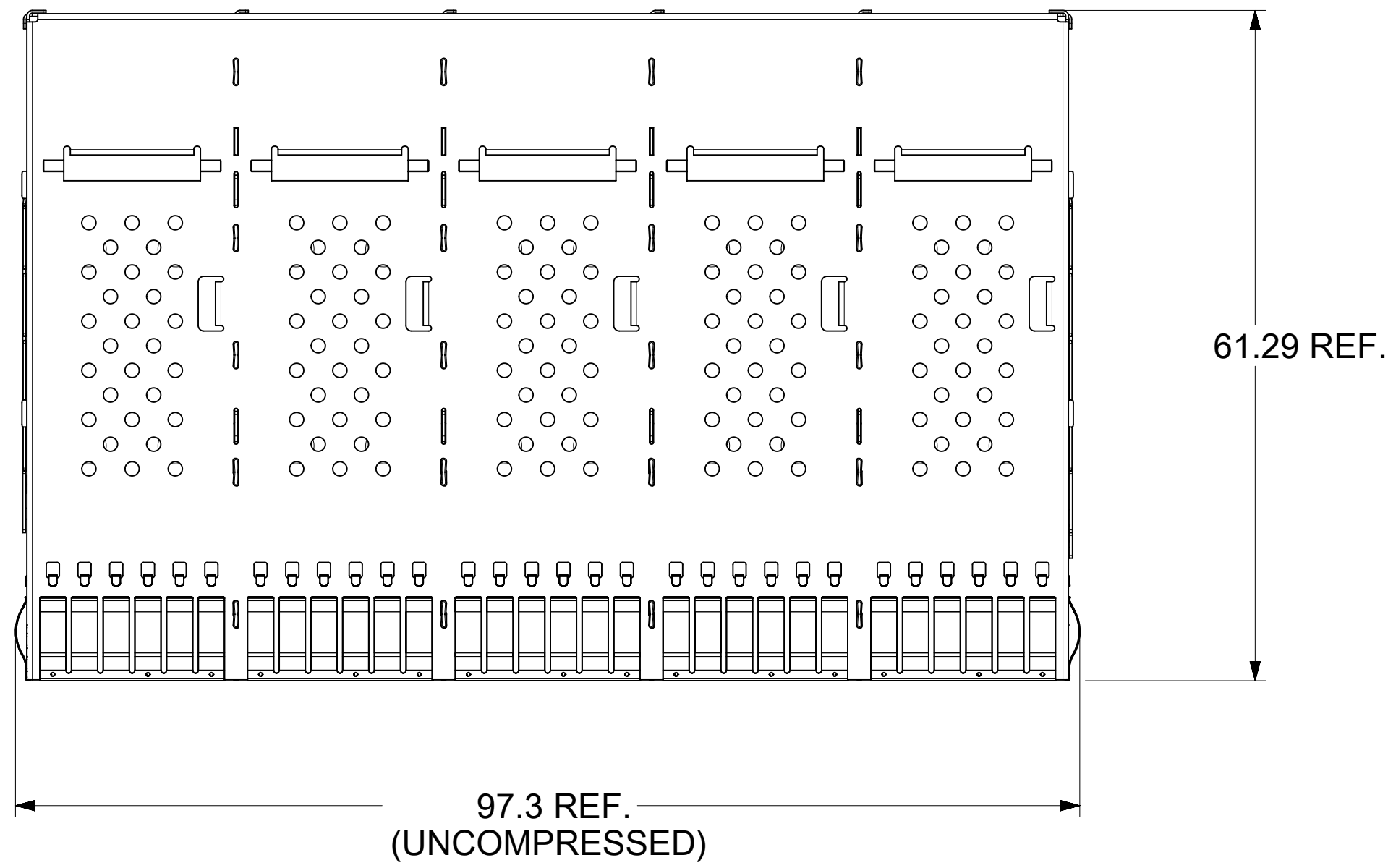


BASIC CAGE DETAILS

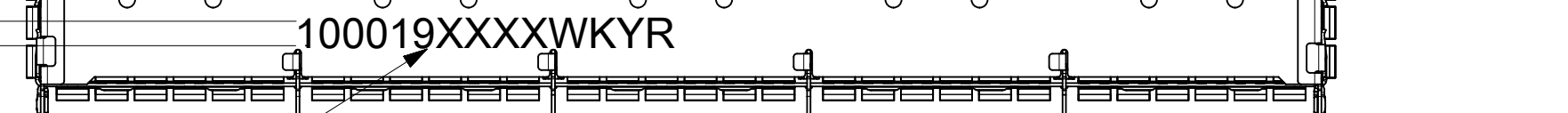
1000193240

SHOWN



MOLEX P/N W/ SPRING FINGERS	#OF REAR LEGS PER PORT
1000193240	0

FEATURES USED WITH OPTIONAL HEAT SINKS



P/N AND WEEK/YEAR DATE CODE TO BE PRINTED ON BACK OF COMPLETED CAGE ASSEMBLY APPROXIMATELY AS SHOWN.
NOTES:
SEE TABLE BELOW FOR DATE CODE INFORMATION

- NOTES:
- MATERIAL: CAGE: STAINLESS STEEL
CENTER WALLS: STAINLESS STEEL
SPRING FINGERS: STAINLESS STEEL
HEAT SINKS: NICKEL PLATED ALUMINUM
HEAT SINK CLIP: STAINLESS STEEL
LIGHT PIPES: POLYCARBONATE (UL 94-V-0)
 - DIMENSIONS MARKED ∇ ARE CRITICAL TO FUNCTION OF THE PART AND MUST BE INSPECTED
 - DRAWING APPLIES TO ALL P/N'S SHOWN ON PAGE 3
 - DURING INCOMING INSPECTION, CAGE LEG LOCATIONS AND STRAIGHTNESS MUST BE CHECKED USING APPROPRIATE GO - NO GO GAGE
 - DURING INCOMING INSPECTION, CAGE MUST BE INSPECTED TO MAKE SURE LEG CONFIGURATIONS AND PART NUMBERS ARE CORRECT, USE SHEETS 3, 4 AND 5
 - PARTS TO BE INSPECTED PER MOLEX COSMETIC SPEC WI-HP-7-2774 (CLASS B UNLESS OTHERWISE SPECIFIED)
 - PRESS-FIT LEGS 2.44 LONG -
1.57 MINIMUM PCB THICKNESS FOR SINGLE SIDED USE.
3.00 MINIMUM PCB THICKNESS FOR BELLY TO BELLY USE.
 - NO RoHS EXEMPTIONS.
 - WELD SPOTS MAY SHOW SLIGHT MATERIAL DISCOLORATION.

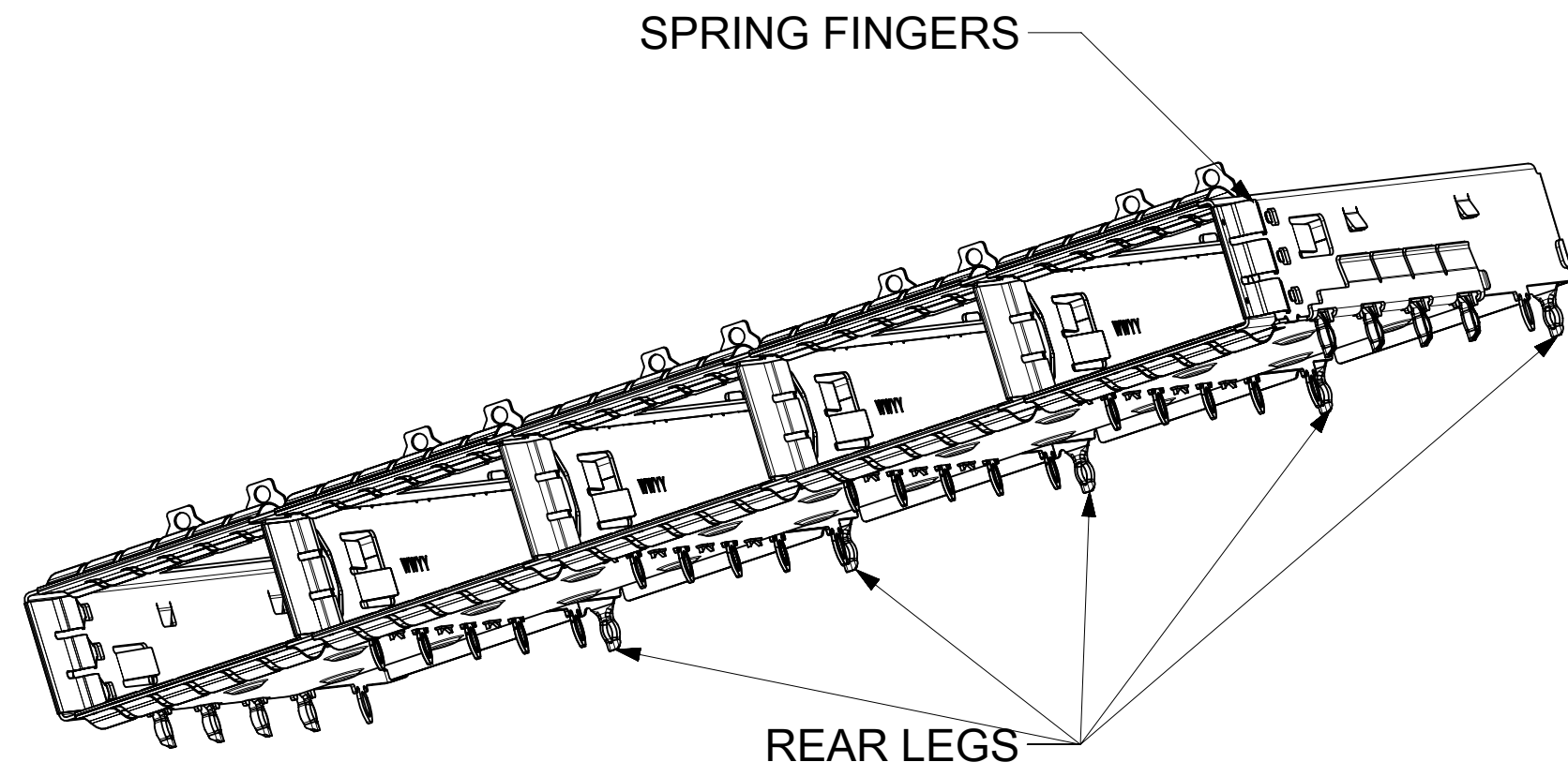
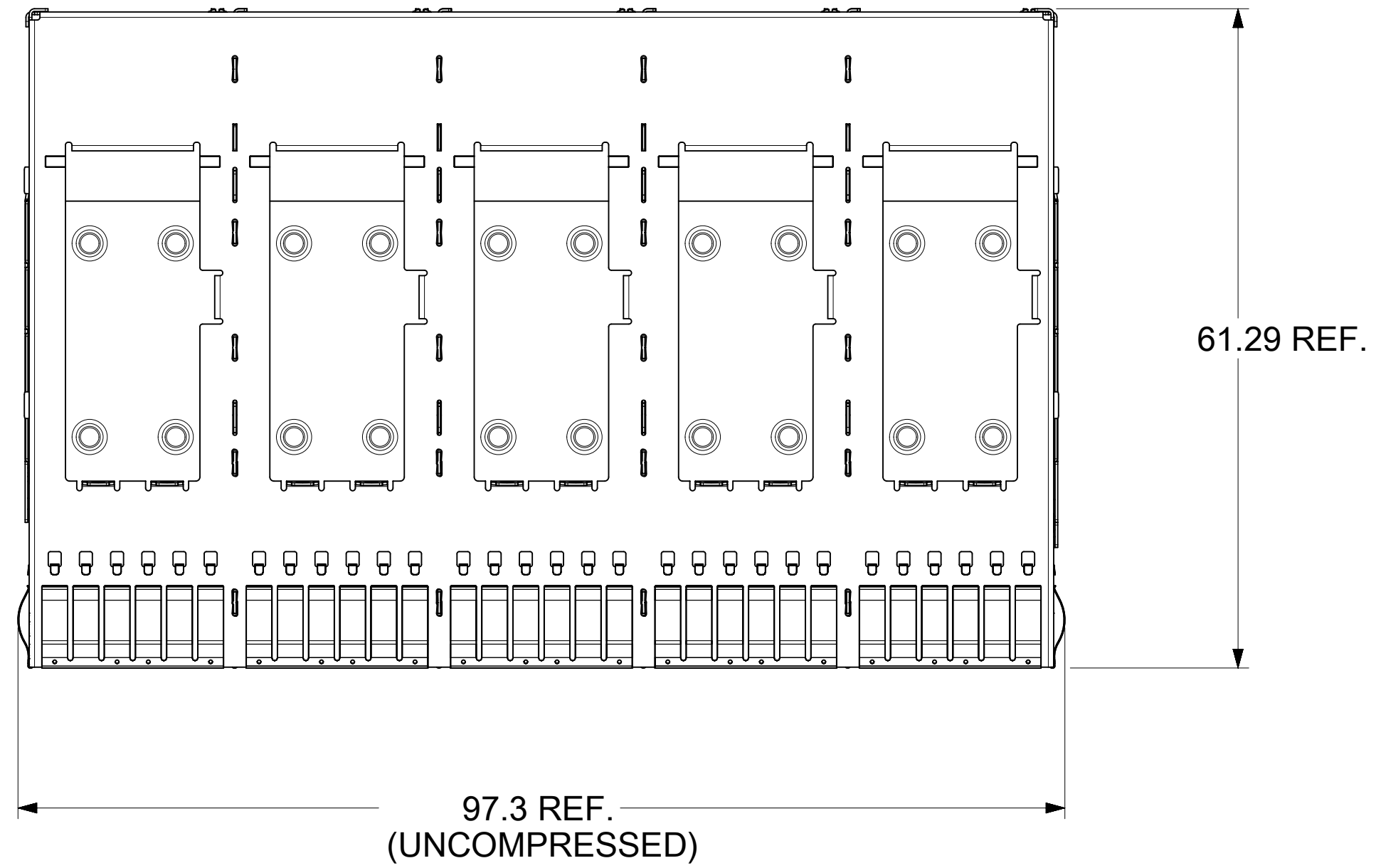
WEEK/YEAR DATE CODE TABLE	
WK	WEEK OF THE YEAR 01 THRU 52 (EXAMPLE: 01= FIRST WEEK OF YEAR 52= LAST WEEK OF YEAR)
YR	22, 23, 24 ETC.. (EXAMPLE: YEAR 2022= 22)

FUNCTIONAL SYMBOLS $\nabla_A = 0$ $\nabla_C = 0$ $\nabla_P = 0$	THIS DRAWING CONTAINS INFORMATION THAT IS PROPRIETARY TO MOLEX ELECTRONIC TECHNOLOGIES, LLC AND SHOULD NOT BE USED WITHOUT WRITTEN PERMISSION DIMENSION UNITS: mm SCALE: 2:1 CURRENT REV DESC: SEE REVISION DESCRIPTION	<p>ZQSFP+ 1X5 GANGED CAGE ASSY ASSY'S W/ SUS TAB TYPE SPRING FINGER</p> <p>PRODUCT CUSTOMER DRAWING</p>		
	GENERAL TOLERANCES (UNLESS SPECIFIED) ANGULAR TOL $\pm 2.0^\circ$			EC NO: 698878 DRWN: PRAJWG 2022/02/17 CHK'D: TKUMARKC 2022/03/10 APPR: JCHIANG 2022/03/24
	DIVISIONAL SYMBOLS 4 PLACES \pm 3 PLACES \pm 2 PLACES ± 0.13 1 PLACE ± 0.25 0 PLACES \pm			INITIAL REVISION: DRWN: PRAJWG 2022/02/17 APPR: JCHIANG 2022/03/24
	DRAFT WHERE APPLICABLE MUST REMAIN WITHIN DIMENSIONS			THIRD ANGLE PROJECTION DRAWING: D-SIZE SERIES: 100019 MATERIAL NUMBER: SEE P/N TABLE CUSTOMER: GENERAL MARKET SHEET NUMBER: 1 OF 6

BASIC CAGE DETAILS

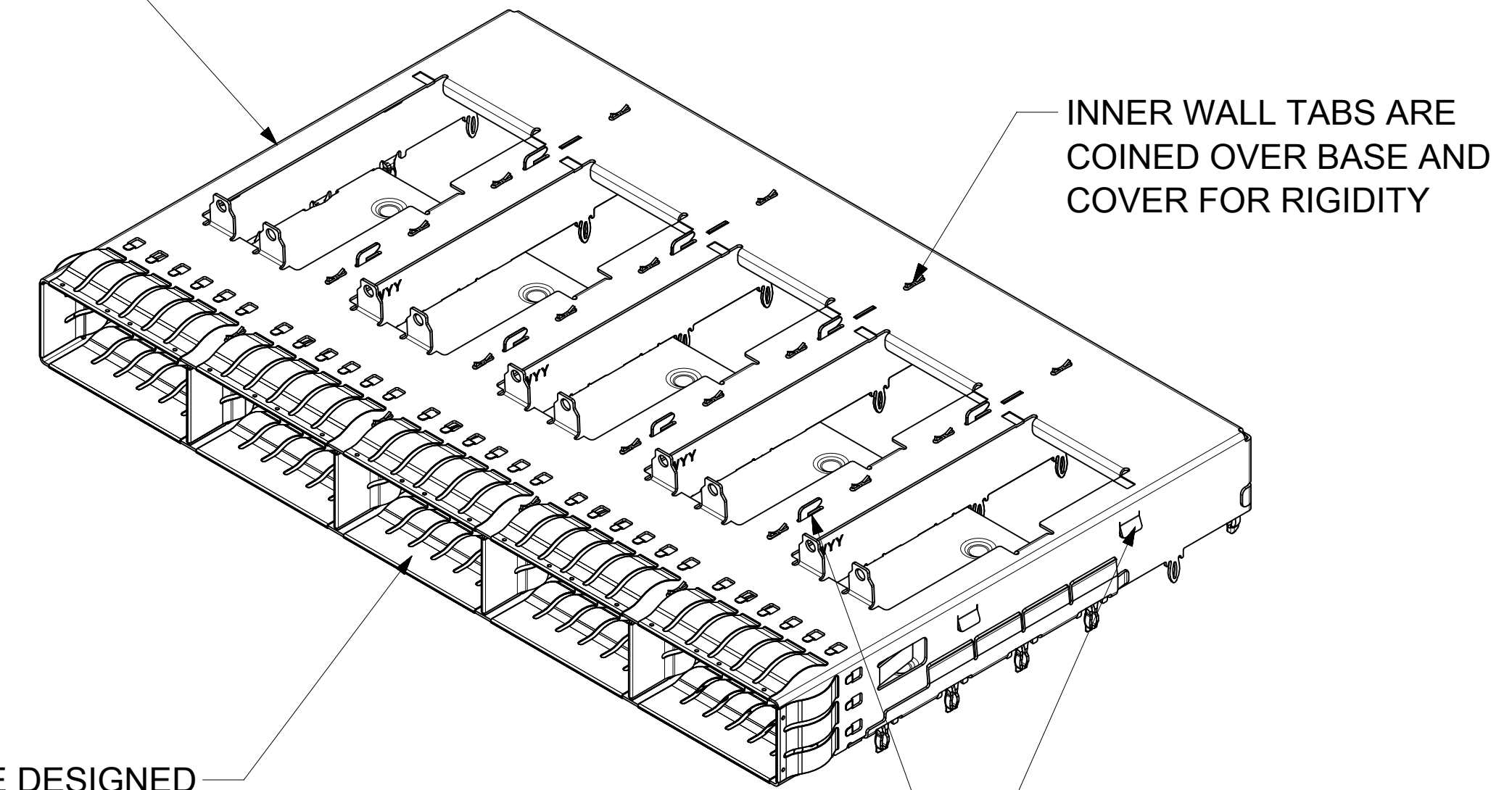
1000199252

SHOWN



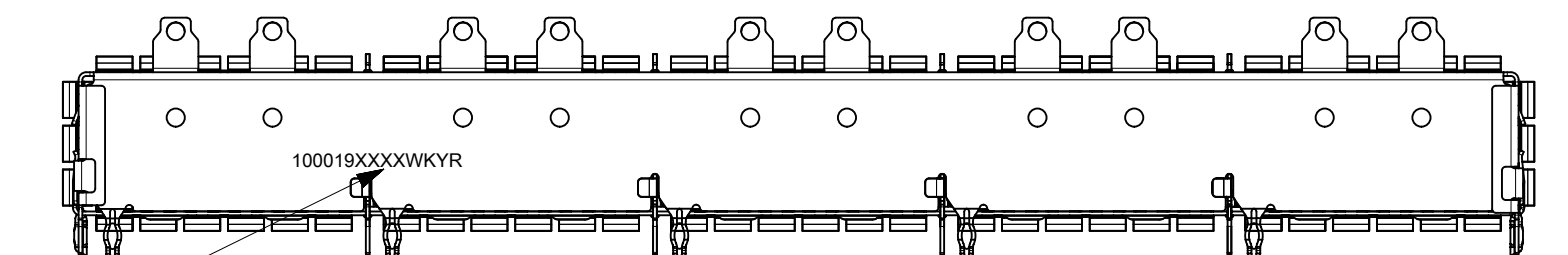
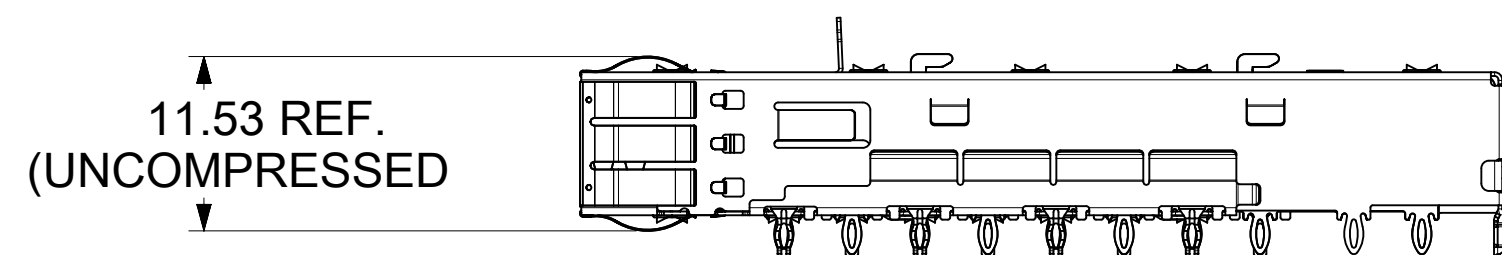
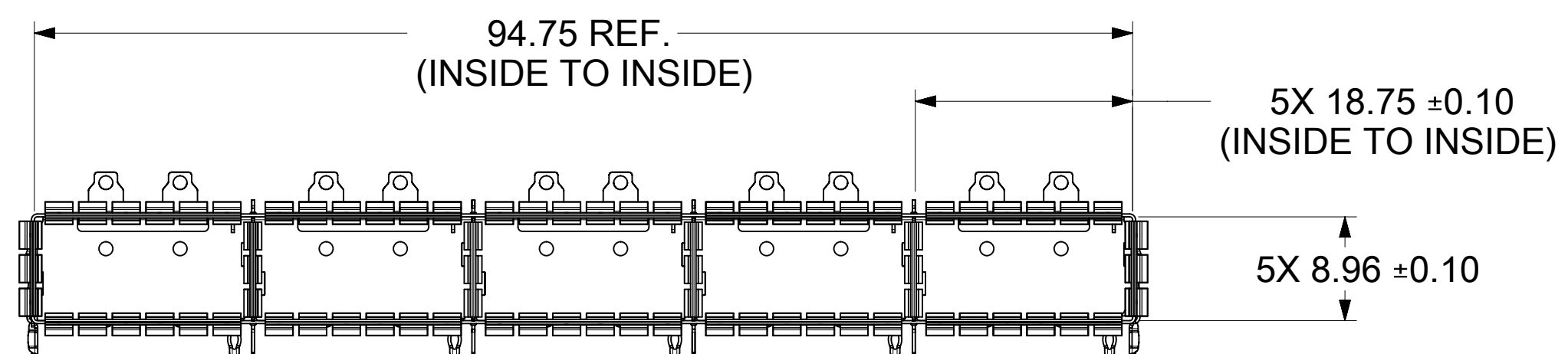
OPEN TOP

NO HEATSINKS
NO LIGHT PIPES
OPEN TOP



DIMENSIONS OF EACH INNER CAGE DESIGNED TO FUNCTION WITH QUAD SMALL FORM-FACTOR (zQSFP+) TRANSCEIVER

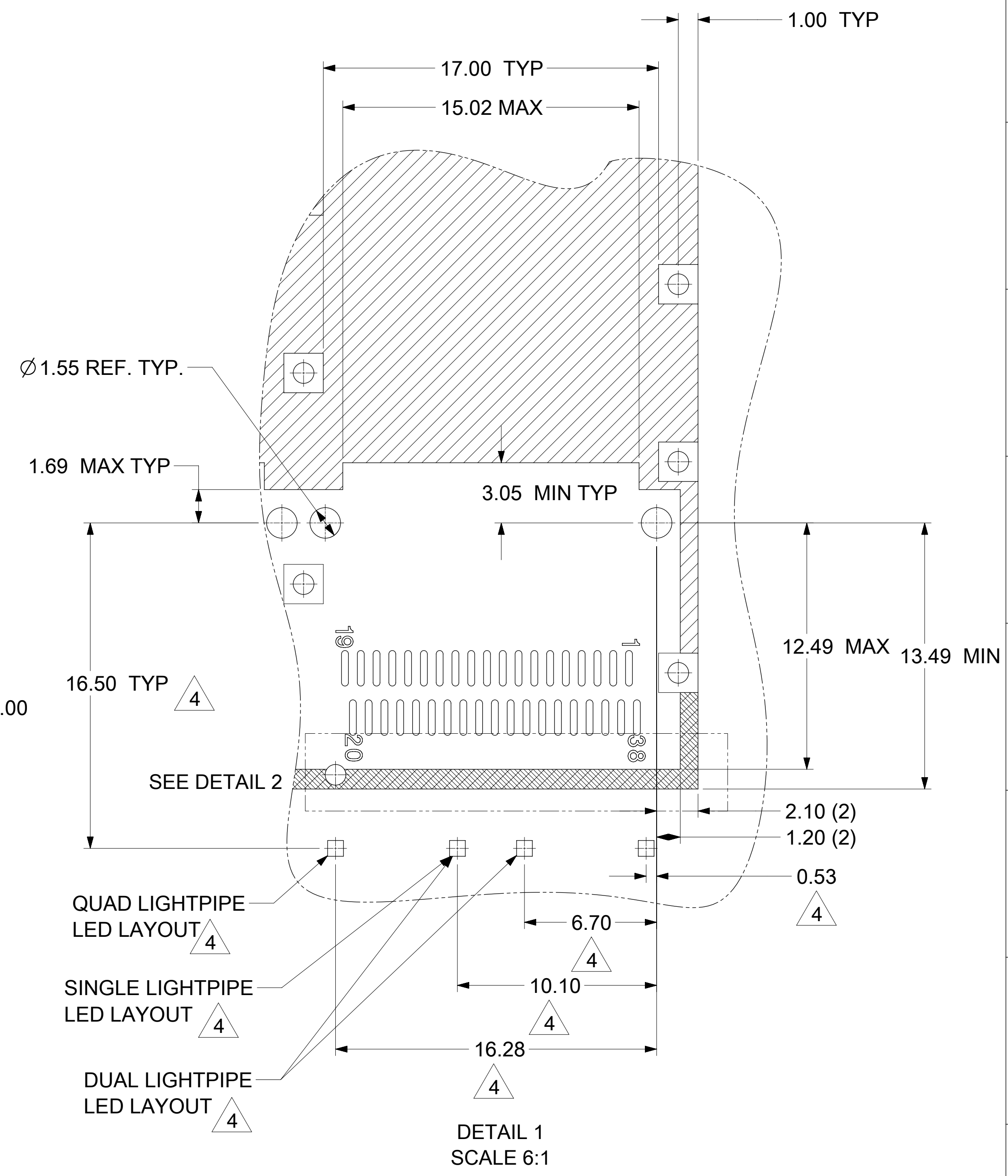
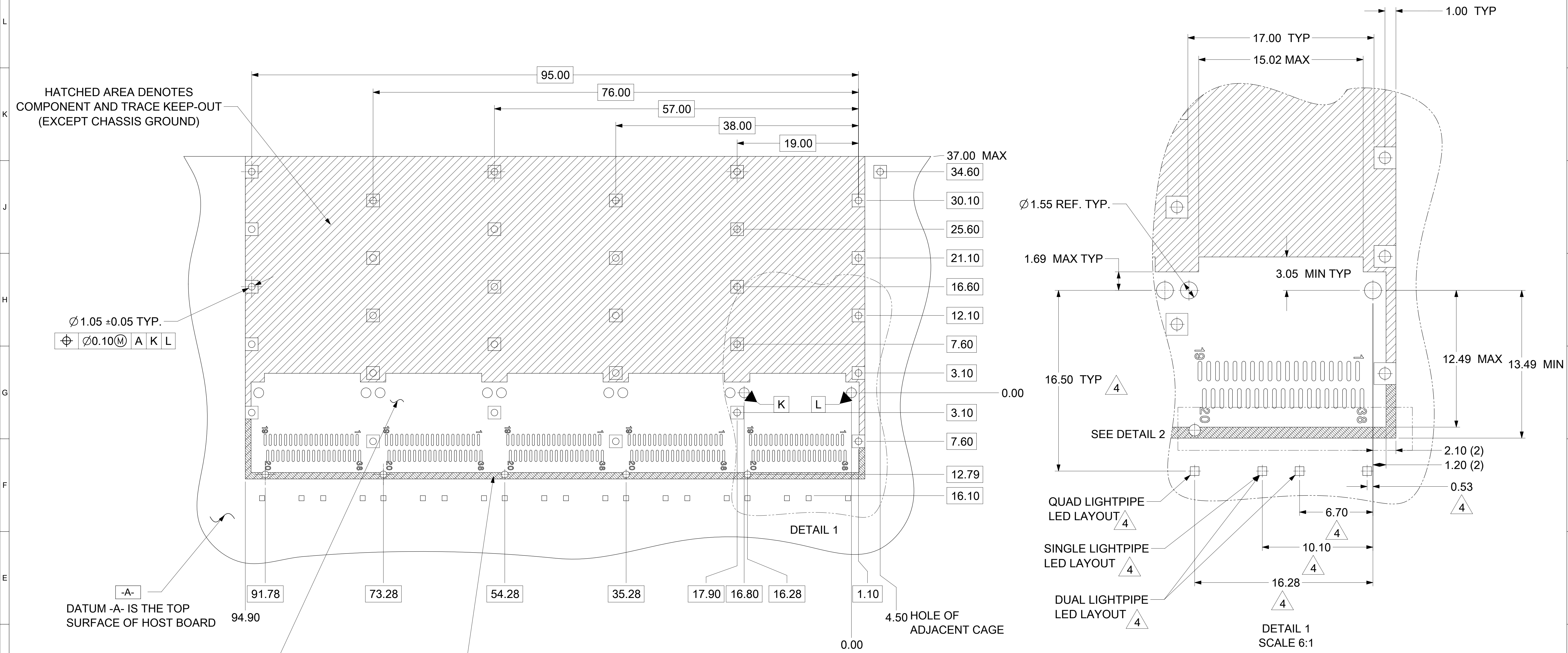
MOLEX P/N W/ SPRING FINGERS	#OF REAR LEGS PER PORT
1000199252	1



P/N AND WEEK/YEAR DATE CODE TO BE PRINTED ON BACK OF COMPLETED CAGE ASSEMBLY APPROXIMATELY AS SHOWN.
NOTES:
SEE TABLE BELOW FOR DATE CODE INFORMATION

FUNCTIONAL SYMBOLS $F_A = 0$ $F_C = 0$ $F_D = 0$ DIVISIONAL SYMBOLS	THIS DRAWING CONTAINS INFORMATION THAT IS PROPRIETARY TO MOLEX ELECTRONIC TECHNOLOGIES, LLC AND SHOULD NOT BE USED WITHOUT WRITTEN PERMISSION		CURRENT REV DESC: SEE REVISION DESCRIPTION	
	DIMENSION UNITS	SCALE	EC NO: 698878	
	mm	2:1	DRWN: PRAJWG	2022/02/17
	GENERAL TOLERANCES (UNLESS SPECIFIED)		CHK'D: TKUMARKC	2022/03/10
	ANGULAR TOL ± 2.0°		APPR: JCHIANG	2022/03/24
4 PLACES ±		INITIAL REVISION:		
3 PLACES ±		DRWN: PRAJWG	2022/02/17	
2 PLACES ± 0.13		APPR: JCHIANG	2022/03/24	
1 PLACE ± 0.25		THIRD ANGLE PROJECTION		
0 PLACES ±		DRAWING	SERIES	
DRAFT WHERE APPLICABLE MUST REMAIN WITHIN DIMENSIONS		D-SIZE	100019	
DOCUMENT NUMBER		DOC TYPE	DOC PART	REVISION
1000193200		PSD	ASY	A
MATERIAL NUMBER		CUSTOMER		SHEET NUMBER
GENERAL MARKET		GENERAL MARKET		2 OF 6

PCB LAYOUT FOR SINGLE SIDED MOUNTING



HATCHED AREA DENOTES COMPONENT AND TRACE KEEP-OUT (EXCEPT CHASSIS GROUND)

Ø 1.05 ± 0.05 TYP.
 ⊕ Ø 0.10 (M) A K L

DATUM -A- IS THE TOP SURFACE OF HOST BOARD

AREA DENOTES COMPONENT KEEP-OUT (TRACES ALLOWED)

CROSS HATCHED AREA DENOTES WHERE SURFACE TRACES ARE PERMITTED SEE NOTE 6

- NOTES:
1. PADS AND VIAS GO TO CHASSIS GROUND. (RECOMMENDED PADS TO BE 2.00mm SQUARE.)
 2. RECOMMENDED THRU HOLE PLATING INCLUDES HASL, OSP, OR IMMERSION (GOLD, SILVER, OR TIN).
 3. CONNECTOR PAD LAYOUT PER SFF-8663 WILL ACCOMMODATE MOLEX CONNECTOR SERRIES 170432.
 4. NOTED DIMENSIONS ONLY APPLY TO CAGE ASSEMBLIES WITH LIGHT PIPES.
 5. REFERENCE WHEN REAR LEGS ARE PRESENT. IF NO REAR LEGS, VIA AREA CAN BE USED FOR SURFACE TRACES. SEE SINGLE SIDE LAYOUT, DETAIL 2.

FUNCTIONAL SYMBOLS		THIS DRAWING CONTAINS INFORMATION THAT IS PROPRIETARY TO MOLEX ELECTRONIC TECHNOLOGIES, LLC AND SHOULD NOT BE USED WITHOUT WRITTEN PERMISSION		CURRENT REV DESC: SEE REVISION DESCRIPTION	
FA = 0	mm	SCALE	3.5:1		
FC = 0	GENERAL TOLERANCES (UNLESS SPECIFIED)				
FD = 0	ANGULAR TOL ± 2.0°				
DIVISIONAL SYMBOLS		4 PLACES	±	EC NO: 698878	2022/02/17
		3 PLACES	±	DRWN: PRAJWG	2022/03/10
		2 PLACES	± 0.13	CHK'D: TKUMARKC	2022/03/24
		1 PLACE	± 0.25	APPR: JCHIANG	
		0 PLACES	±	INITIAL REVISION:	
		DRAFT WHERE APPLICABLE MUST REMAIN WITHIN DIMENSIONS		DRWN: PRAJWG	2022/02/17
		THIRD ANGLE PROJECTION		APPR: JCHIANG	2022/03/24
		DRAWING SERIES		DOCUMENT NUMBER	
		D-SIZE 100019		1000193200	
		MATERIAL NUMBER		DOC TYPE	DOC PART
		SEE P/N TABLE		PSD	ASY
		CUSTOMER		REVISION	
		GENERAL MARKET		A	
		SHEET NUMBER		3 OF 6	

DOCUMENT STATUS	P1	RELEASE DATE	2022/03/24	02:36:00
-----------------	----	--------------	------------	----------

PCB LAYOUT FOR BELLY TO BELLY MOUNTING

NOTE:
SEE SHEET 4 FOR
HOST CONNECTOR DETAIL
AND LED LOCATION DETAILS

HATCHED AREA DENOTES
COMPONENT AND TRACE KEEP-OUT
(EXCEPT CHASSIS GROUND)

DATUM -A- IS THE TOP
SURFACE OF HOST BOARD

Ø 1.05 ± 0.05 TYP

⊕ Ø0.10 Ⓜ A K L

AREA DENOTES
COMPONENT KEEP-OUT
(TRACES ALLOWED)

HOLES FOR OPTIONAL
REAR LEGS

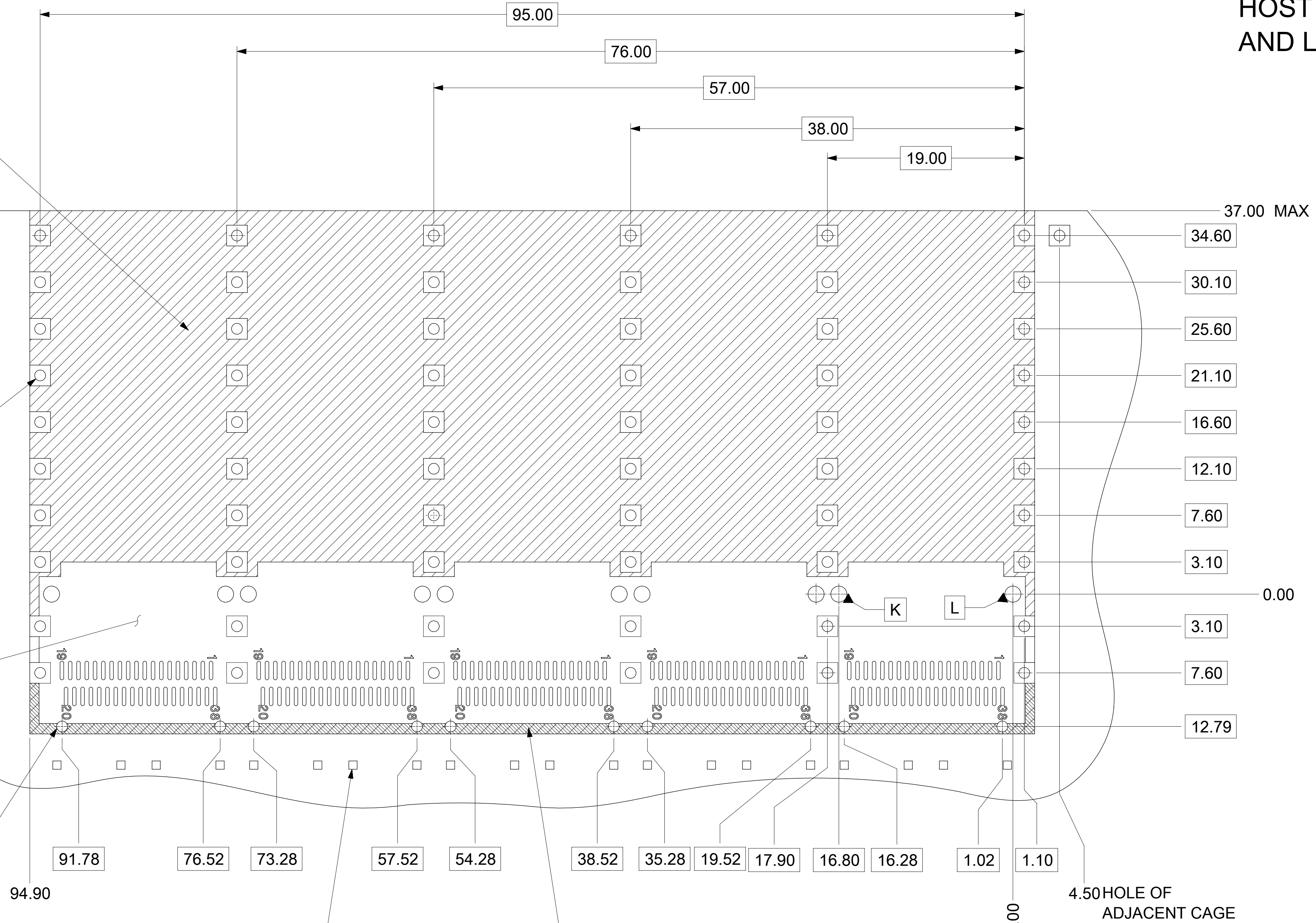
FOR CAGE ASSEMBLIES
WITH LIGHT PIPES

CROSS HATCHED AREA DENOTES
WHERE SURFACE TRACES
ARE PERMITTED. SEE NOTE 5.

4.50 HOLE OF
ADJACENT CAGE

NOTES:

1. PADS AND VIAS GO TO CHASSIS GROUND. (RECOMMENDED PADS TO BE 2.00mm SQUARE.)
2. RECOMMENDED THRU HOLE PLATING INCLUDES HASL, OSP, OR IMMERSION (GOLD, SILVER, OR TIN).
3. CONNECTOR PAD LAYOUT PER SFF-8663 WILL ACCOMODATE MOLEX CONNECTOR SERIES 170432.
4. REFERENCE WHEN REAR LEGS ARE PRESENT. IF NO REAR LEGS, VIA AREA CAN BE USED FOR SURFACE TRACES.
SEE SINGLE SIDE LAYOUT, DETAIL 2 ON SHEET 4.



FUNCTIONAL SYMBOLS	THIS DRAWING CONTAINS INFORMATION THAT IS PROPRIETARY TO MOLEX ELECTRONIC TECHNOLOGIES, LLC AND SHOULD NOT BE USED WITHOUT WRITTEN PERMISSION		CURRENT REV DESC: SEE REVISION DESCRIPTION	
	FA = 0	mm	SCALE	4:1
DIVISIONAL SYMBOLS	GENERAL TOLERANCES (UNLESS SPECIFIED)		EC NO: 698878	
	FC = 0	ANGULAR TOL ± 2.0°	DRWN: PRAJWG	2022/02/17
FUNCTIONAL SYMBOLS	4 PLACES	±	CHK'D: TKUMARKC	2022/03/10
	3 PLACES	±	APPR: JCHIANG	2022/03/24
	2 PLACES	± 0.13	INITIAL REVISION:	
	1 PLACE	± 0.25	DRWN: PRAJWG	2022/02/17
DIVISIONAL SYMBOLS	0 PLACES	±	APPR: JCHIANG	2022/03/24
	DRAFT WHERE APPLICABLE MUST REMAIN WITHIN DIMENSIONS		THIRD ANGLE PROJECTION	DRAWING
		D-SIZE		SERIES
		100019		MATERIAL NUMBER
		SEE P/N TABLE		CUSTOMER
		GENERAL MARKET		SHEET NUMBER
		4 OF 6		

molex

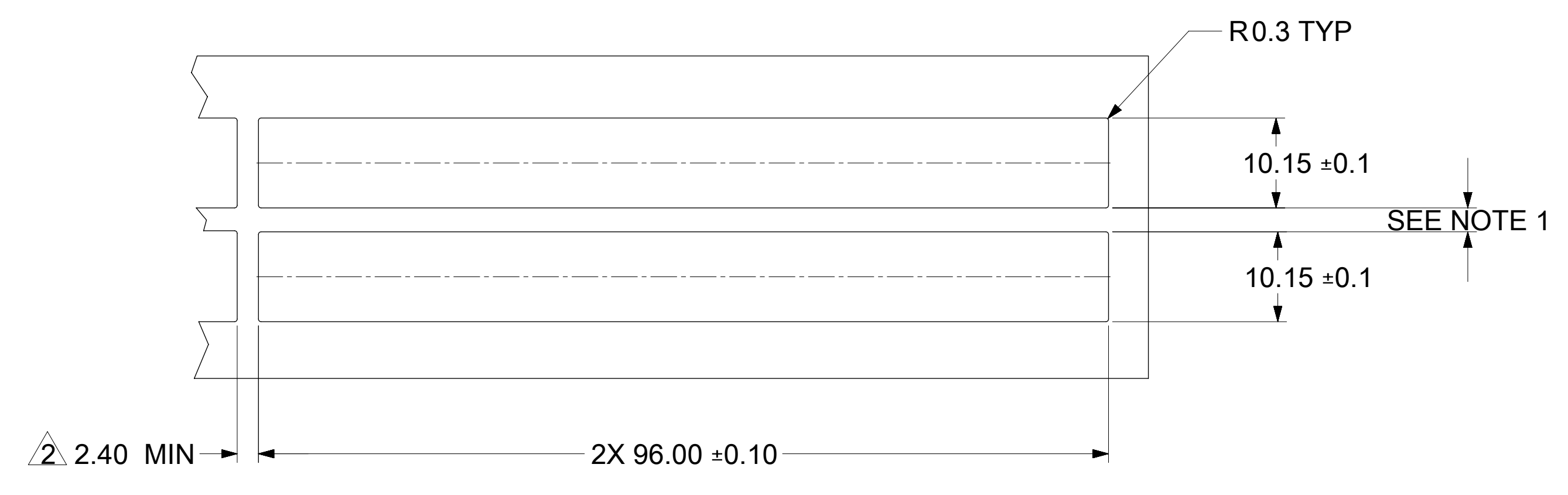
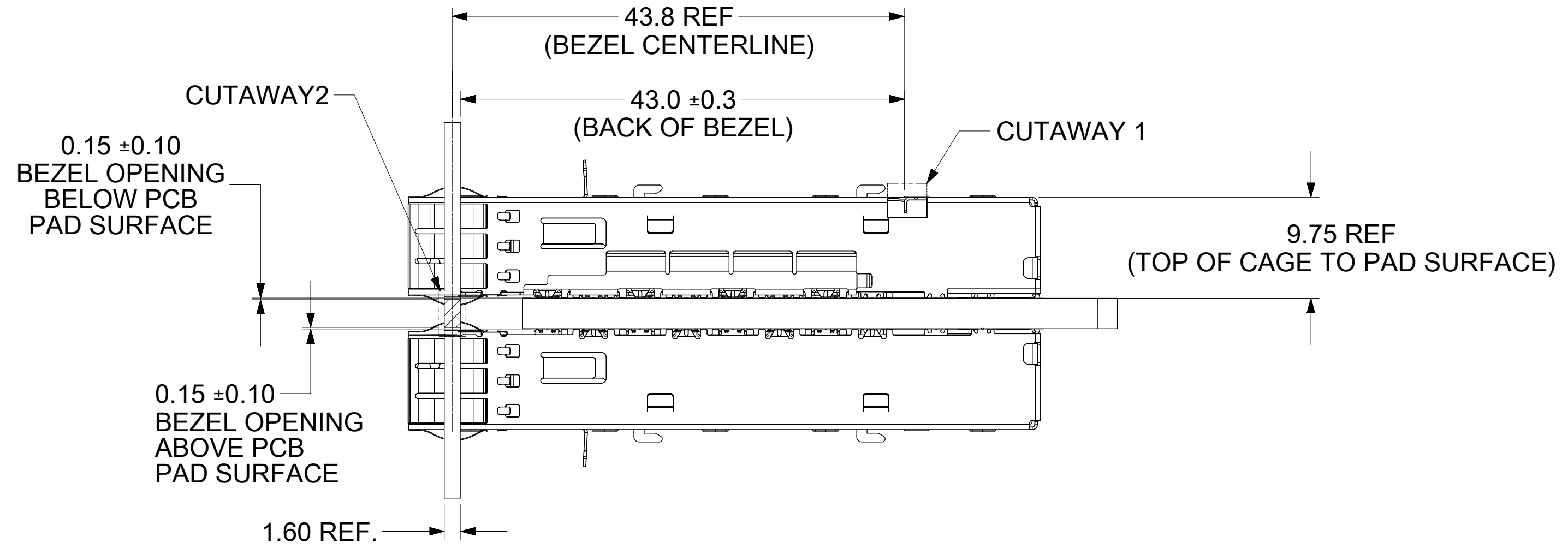
ZQSFP+ 1X5 GANGED CAGE ASSY
ASSY'S W/ SUS TAB TYPE SPRING FINGER

PRODUCT CUSTOMER DRAWING

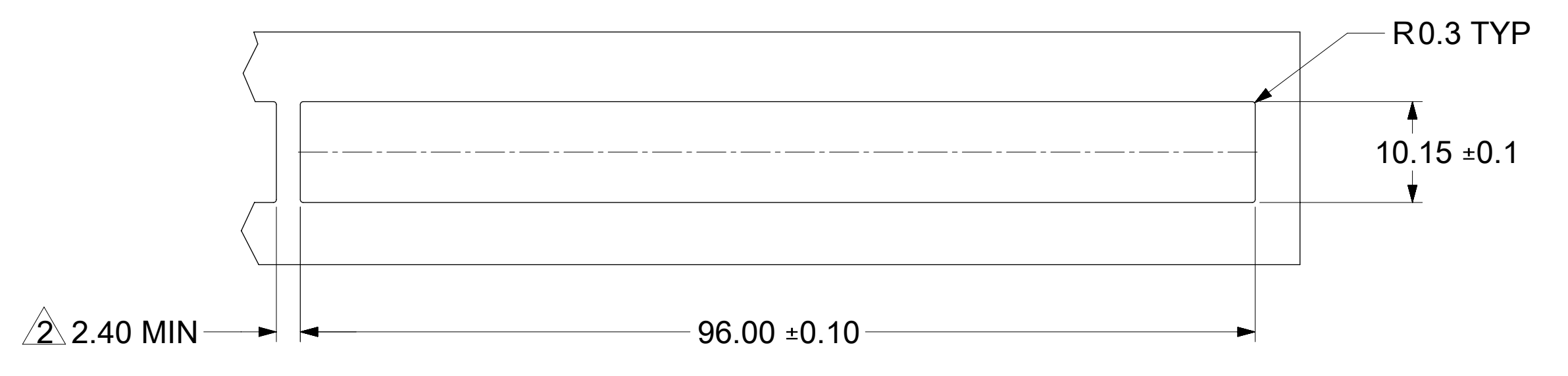
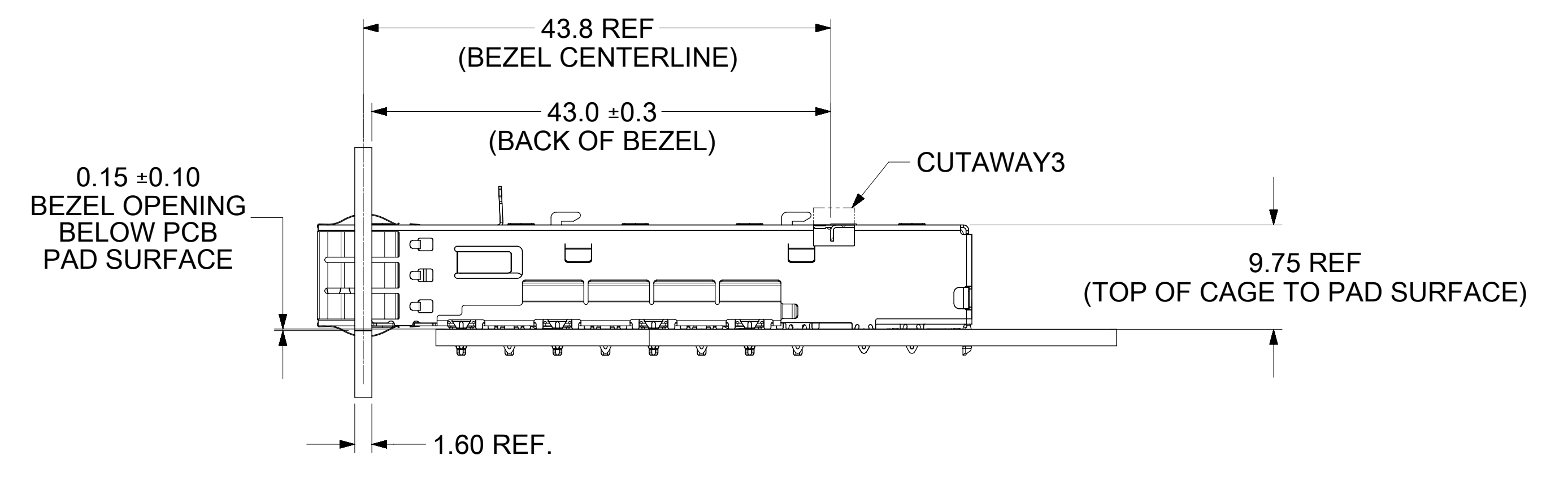
DOCUMENT NUMBER	DOC TYPE	DOC PART	REVISION
1000193200	PSD	ASY	A

MATERIAL NUMBER	CUSTOMER	SHEET NUMBER
SEE P/N TABLE	GENERAL MARKET	4 OF 6

BEZEL AND BOARD POSITION DIMENSIONS FOR BELLY TO BELLY MOUNTING



BEZEL AND BOARD POSITION DIMENSIONS FOR SINGLE SIDE MOUNTING



NOTE:
 1. PCB THICKNESS VARIATION MUST BE CONSIDERED WHEN DETERMINING BEZEL OPENING LOCATION.
 2. THIS DIMENSION IS FOR REFERENCE ONLY. USER CAN MODIFY IT DEPENDS ON APPLICATION. (THIS DIMENSION VARIES BASED ON DISTANCE OF " HOLE OF ADJACENT CAGE" ON PCB LAYOUT.)

FUNCTIONAL SYMBOLS FA = 0 FC = 0 FD = 0	THIS DRAWING CONTAINS INFORMATION THAT IS PROPRIETARY TO MOLEX ELECTRONIC TECHNOLOGIES, LLC AND SHOULD NOT BE USED WITHOUT WRITTEN PERMISSION		CURRENT REV DESC: SEE REVISION DESCRIPTION				
	DIMENSION UNITS mm	SCALE 2.5:1					
DIVISIONAL SYMBOLS	GENERAL TOLERANCES (UNLESS SPECIFIED)		EC NO: 698878		ZQSFP+ 1X5 GANGED CAGE ASSY ASSY'S W/ SUS TAB TYPE SPRING FINGER PRODUCT CUSTOMER DRAWING		
	ANGULAR TOL ± 2.0°		DRWN: PRAJWG 2022/02/17				
	4 PLACES ±	CHK'D: TKUMARKC 2022/03/10					
	3 PLACES ±	APPR: JCHIANG 2022/03/24					
	2 PLACES ± 0.13	INITIAL REVISION:					
1 PLACE ± 0.25	DRWN: PRAJWG 2022/02/17		DOCUMENT NUMBER	DOC TYPE	DOC PART	REVISION	
0 PLACES ±	APPR: JCHIANG 2022/03/24		1000193200	PSD	ASY	A	
DRAFT WHERE APPLICABLE MUST REMAIN WITHIN DIMENSIONS		THIRD ANGLE PROJECTION	DRAWING	SERIES	MATERIAL NUMBER	CUSTOMER	SHEET NUMBER
			D-SIZE	100019	SEE P/N TABLE	GENERAL MARKET	5 OF 6

REV	DATE	DESCRIPTION
A	2022/02/24	INITIAL RELEASE

FUNCTIONAL SYMBOLS $\nabla_A = 0$ $\nabla_C = 0$ $\nabla_P = 0$	THIS DRAWING CONTAINS INFORMATION THAT IS PROPRIETARY TO MOLEX ELECTRONIC TECHNOLOGIES, LLC AND SHOULD NOT BE USED WITHOUT WRITTEN PERMISSION									
	DIMENSION UNITS	SCALE	CURRENT REV DESC: SEE REVISION DESCRIPTION				molex			
	mm	1:1								
	GENERAL TOLERANCES (UNLESS SPECIFIED)			EC NO: 698878				ZQSFP+ 1X5 GANGED CAGE ASSY ASSY'S W/ SUS TAB TYPE SPRING FINGER		
	ANGULAR TOL \pm 2.0°			DRWN: PRAJWG 2022/02/17						
	4 PLACES \pm			CHK'D: TKUMARKC 2022/03/10						
	3 PLACES \pm			APPR: JCHIANG 2022/03/24						
	2 PLACES \pm 0.13			INITIAL REVISION: DRWN: PRAJWG 2022/02/17 APPR: JCHIANG 2022/03/24						
	1 PLACE \pm 0.25			DOCUMENT NUMBER				DOC TYPE	DOC PART	REVISION
	0 PLACES \pm			1000193200			PSD	ASY	A	
DRAFT WHERE APPLICABLE MUST REMAIN WITHIN DIMENSIONS			THIRD ANGLE PROJECTION	DRAWING	SERIES	MATERIAL NUMBER	CUSTOMER		SHEET NUMBER	
				D-SIZE	100019	SEE P/N TABLE	GENERAL MARKET		6 OF 6	

DOCUMENT STATUS	P1	RELEASE DATE	2022/03/24 02:36:00
-----------------	----	--------------	---------------------