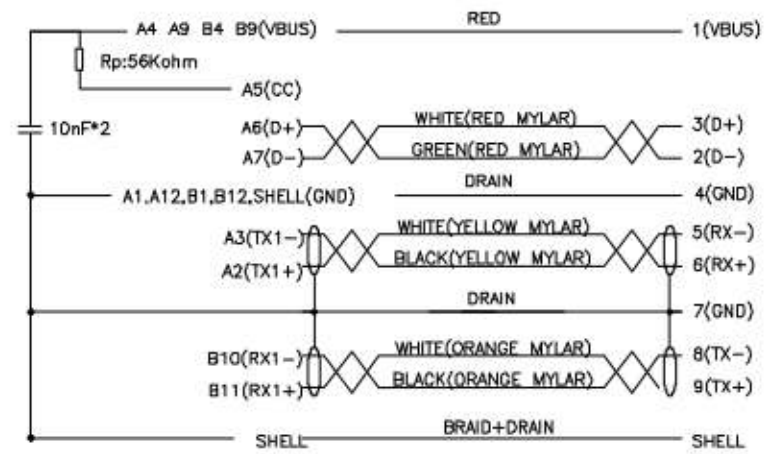


CUSTOMER P/N	SPECIFICATIONS	LENGTH
105-1032-BL-00050	USB 3.1 C TO A, BLACK, 0.5M	500±30
105-1032-BL-00100	USB 3.1 C TO A, BLACK, 1.0M	1000±50
105-1032-BL-00150	USB 3.1 C TO A, BLACK, 1.5M	1500±50
105-1032-BL-00200	USB 3.1 C TO A, BLACK, 2.0M	2000±60

TABLE 1

**MATERIALS LIST:**

- CABLE:USB 3.1 C TO A(7/0.115TA\*1PR+EAM)\*2+(7/0.08TA\*1PR+AM)  
+7/0.2TA\*1C+T2EB 85% USB 3.1 OD:5.0mm JACKET PVC COLOR:BLACK
- CONNECTOR:USB3.1 TYPE C/M PIN 30U\*  
Rp:56Kohm INSULATOR BLACK,NICKEL PLATED SHELL,
- CONNECTOR:USB 3.1 A/M INSULATOR BLUE  
NICKEL PLATED SHELL PIN G/F,
- PVC MOLDED:V39B 45P BLACK



**ELECTRONIC TEST:**

- OPEN/SHORT/INTERMITTENCE: 100%
- HI-POT: 50V AC/0.01sec 50V DC/0.01sec
- INSULATION RESISTANCE: 20M OHM (MIN)
- CONDUCTIVE RESISTANCE: 2 OHM (MAX)
- CAPACITANCE DETECTION: 10nF±20% BETWEEN A1 AND A4
- RESISTANCE DETECTION: Rp=56Kohm±5% BETWEEN A4 AND A5

**REMARK:**

- ALL MATERIALS TO MEET RoHS
- CHECK IMPORTANT SIZE:Y1&Y3

CnC Tech, LLC			
Industrial Cable and Connector Technology			
DRAWN BY	Ziyong	DARWING NO.	T180423012
CHECKED BY		CUSTOMER	105-1032-BL-00***
APPROVAL BY		ITEM NO.	
DECIDE BY		DATE	18.05.29
VERSIONS/EDITEON	A/0	PROJECTION	

REV	ECN NO	DESCRIPTION	D.B	DATE