

SMD Choke Coils

Series: **N**
 Type: **ELC6GN**



Type ELC6GN

■ Features

- Low DC resistance and large current capability

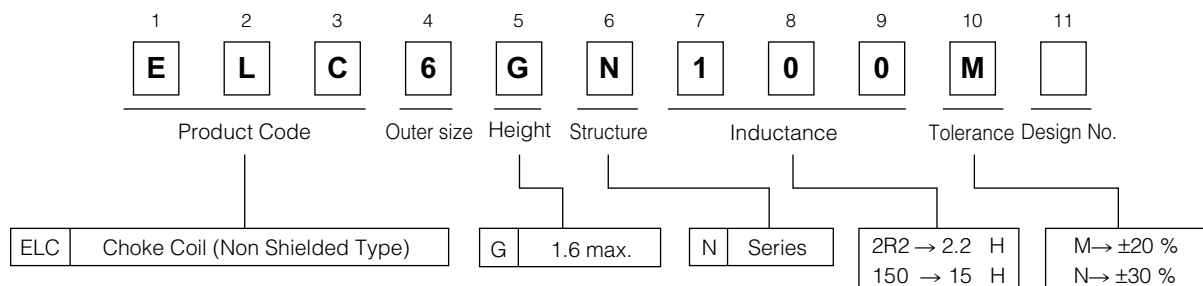
■ Recommended Applications

- DC-DC converter circuitry for computer peripherals and cellular phones.
- Chopper circuit decoupling chokes for DC-DC converter circuitry

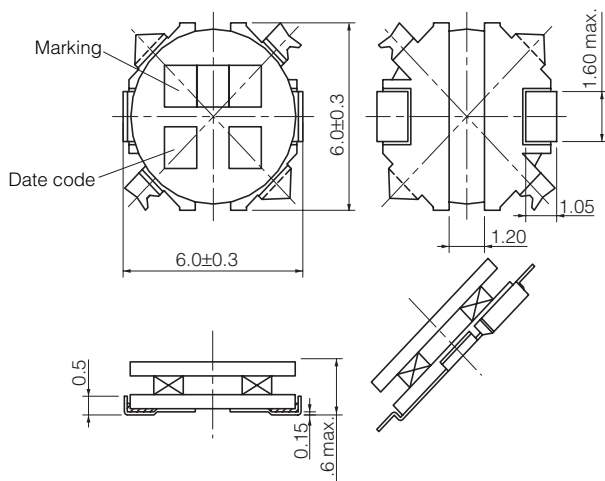
■ Standard Packing Quantity

- 1000 pcs./Reel

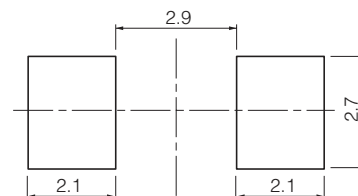
■ Explanation of Part Numbers



■ Dimensions in mm (not to scale)



■ Recommended land patterns in mm (not to scale)



Standard Parts

Part Number	Inductance (100 kHz)		R _{DC} (at 20 °C)		*Rated Current (mA max.)	Marking
	(μH)	Tol.	(mΩ)	Tol.		
ELC6GN1R5N	1.5	±30 %	60	±20 %	2200	1R5
ELC6GN2R2N	2.2		70		1900	2R2
ELC6GN3R3N	3.3		77		1500	3R3
ELC6GN4R7N	4.7		115		1300	4R7
ELC6GN6R8N	6.8		150		1100	6R8
ELC6GN100M	10.0	±20 %	170		1000	100
ELC6GN220M	22.0		350	700	220	

* Current: This indicates the value of current when the inductance is 70% of nominal value and case temperature has risen 45 °C (at 20 °C)

Embossed Carrier Tape Dimensions in mm (not to scale)

