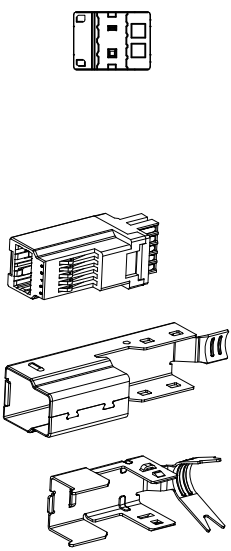
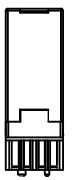
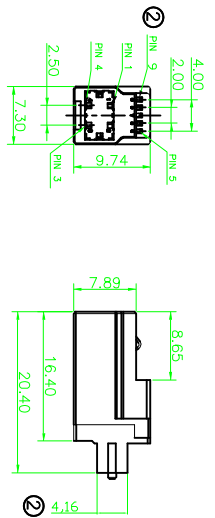
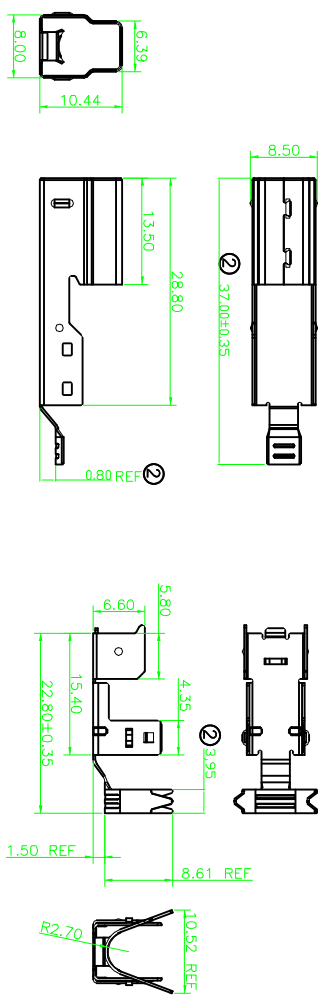


1	2	3	4	5	6	7
---	---	---	---	---	---	---



NOTES:

1. Material:
 - 1.1 Housing: PBT+30%GF UL94V-0, Color Blue
 - 1.2 Shell: SPCC
 - 1.3 Contact : Copper Alloy
2. FINISH:
 - 2.1 Contact Area: Selective 15u"Au
Solder Area: Tin Plated
Under: Ni Plated
3. MECHANICAL:
 - 3.1 Mating Force: 3.57kgf Max.
 - 3.2 Unmating Force: 1.02kgf Min
 - 3.3 Durability: 1500 cycles Min
4. ELECTRICAL:
 - 4.1 Current Rating: 1.0A at 30V
 - 4.2 Dielectric Strength: 300V AC FOR 1 MINUTE
 - 4.3 Contact Resistance: 30mΩ Max
 - 4.4 Insulation Resistance: 100 MΩ Min
5. Operating temperature: -20°C TO +85°C
6. PACKING: PE Bag

RoHS compliant

Scale	Free											
TOLERANCE												
.X	±0.30					Drawn	07.06.2013	Winnie				
.XX	±0.20					Approved	06.02.2018	Winnie				
.XXX	±0.10	②	Update the dimension									
DIM	TOL	①	Update P/N to A-USBPB-3				19.01.2018	Winnie				
X. °	±5°	①										
Angle	TOL	①	Drawn				07.06.2013	Winnie				
UNIT	mm	Id.	Modification				Date	Name				



1	2	3	4	5	6	7
---	---	---	---	---	---	---

A	B	C	D	E	F	G	H
---	---	---	---	---	---	---	---

Customer-No.	
ASSMANN WSW-No.	A-USBPB-3
Drawing-No.	ASS 5771 CO
Replace	rev02
	SHEET