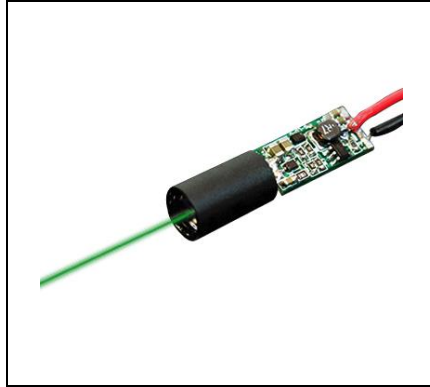


Direct Green Dot Laser

VLM-520-51 Series



FEATURES:

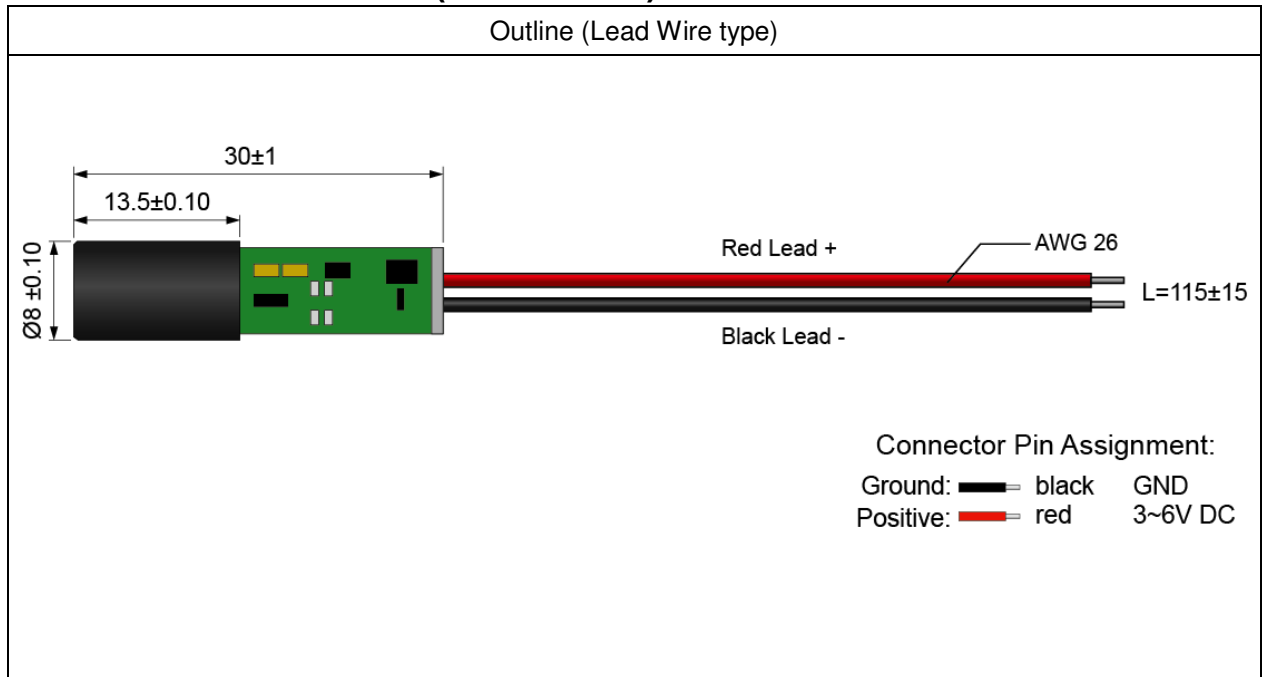
- Direct Green Laser Diode module to provide large temperature operation range.
- High quality round green Laser spot with low beam divergence angle, ideal for industrial application.
- Industrial use laser modules have 10,000 hours working life.
- This module has integrated optic, direct green laser diode, and APC driver circuit.
- APC driver circuit enables the Laser output power safe and constant.
- Dimensions : Ø8 x 30mm (Ø0.314" x 1.18")
- Wavelength : 505~530 nm
- Laser power output : LPA - Class IIIa – less than 4mW.
LPT - Class II – less than 1mW.
- Beam Divergence (Half Angle) : <0.4 mRad
- 3~6 VDC operation.
- Connection type : Lead wire

APPLICATIONS:

- Industrial Green Dot Laser Module - for positioning, measuring, pointing and laser sighting device.
- Wood processing.
- Metal processing.
- Stone processing.
- Textile industry.
- Food industry.
- Automotive industry.
- Medical science.

VLM-520-51 Series

OUTLINE DIMENSIONS (UNITS: mm)



SPECIFICATIONS

SPECIFICATIONS		VLM-520-51	
		LPT	LPA
1	Dimensions	$\varnothing 8 \times 30$ mm ($\varnothing 0.314'' \times 1.18''$)	
2	Weight	2.5g	
3	Operating voltage (Vop)	3~6 VDC	
4	Operating current (Iop)	Less than 150mA	
5	Laser power output	Less than 1mW	Less than 4mW
6	Laser class	Class II	Class IIIa
7	Wavelength at peak emission (λ_p)	505~530nm	
8	Collimating lens	Aspherical Glass lens	
9	Output aperture	5mm	
10	Beam shape	Ellipse	
11	Spot size at 10M	5 ± 1 mm	
12	Divergence (Half Angle)	Less than 0.4 mRad	
13	Beam alignment	Less than 3°	
14	Operating temp. range*	$-20^\circ\text{C} \sim +60^\circ\text{C}$	
15	Storage temp. range	$-20^\circ\text{C} \sim +85^\circ\text{C}$	
16	Housing material	Aluminum	

VLM-520-51 Series

17	Potential of housing	Insulated
18	Electrostatic discharge (ESD)	30KV
19	Moisture sensitivity level (MSL)	Level 1 - acc to JEDEC J-STD-020E.
20	Wire type	1007-26AWG
21	Cable length	115±15mm
22	Mean time to failure (MTTF) 25°C	10000hrs
23	Application	Industrial application
24	Suggestion work distance	1~30 meters / 3~100 feet

* Operation temperature: it means within this temperature range, the laser spot/line will not be affected to change the spot size/line width. It can still work over this range, but the laser spot size or laser line width will be larger.

ORDER CODE

Order Code	Wavelength	Laser Power Output	Laser Class	Connection Type
VLM-520-51 LPA	520 nm	Less than 4mW	Class IIIa	Lead Wire
VLM-520-51 LPT	520 nm	Less than 1mW	Class II	Lead Wire

SAFETY LABEL

