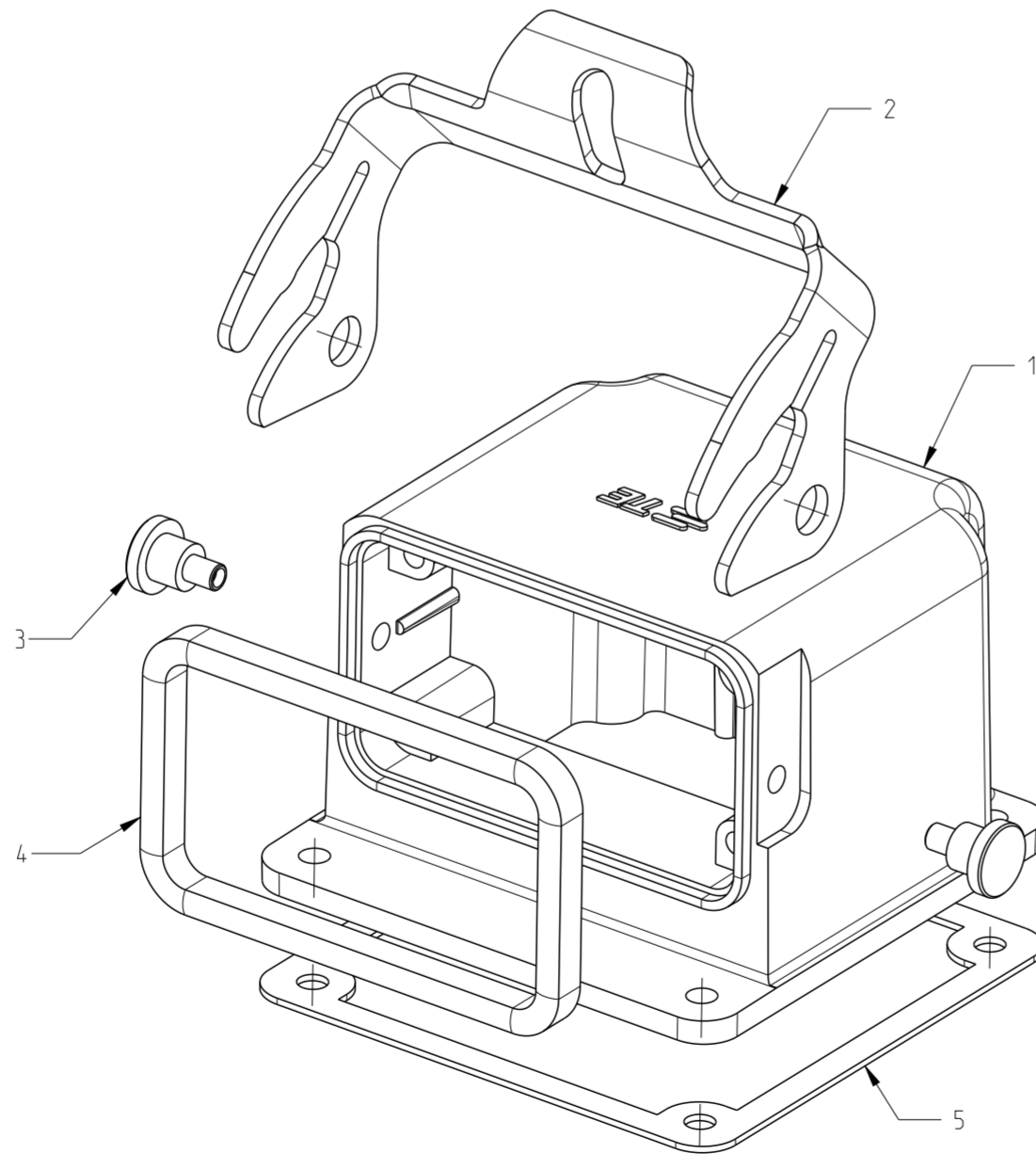
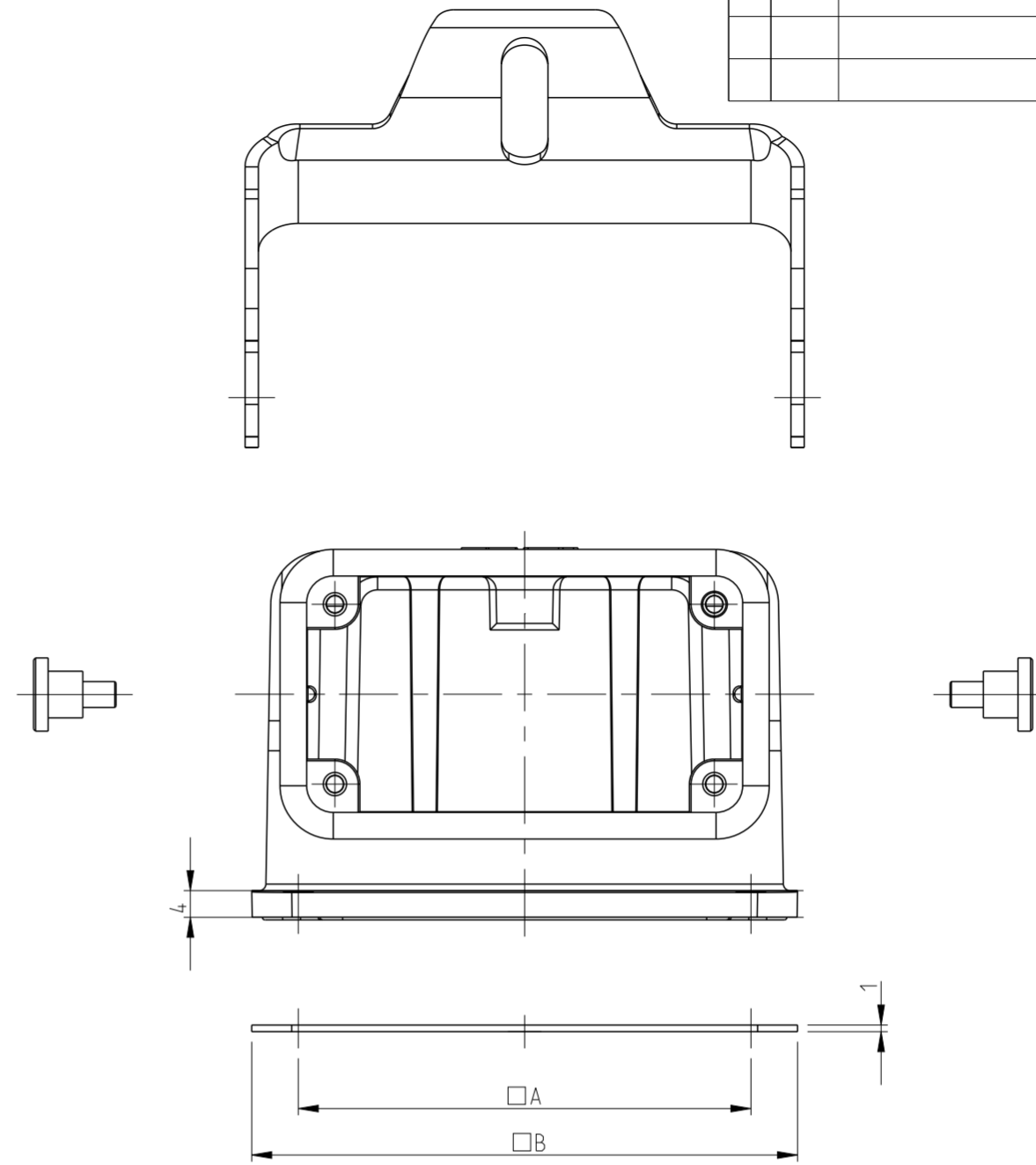
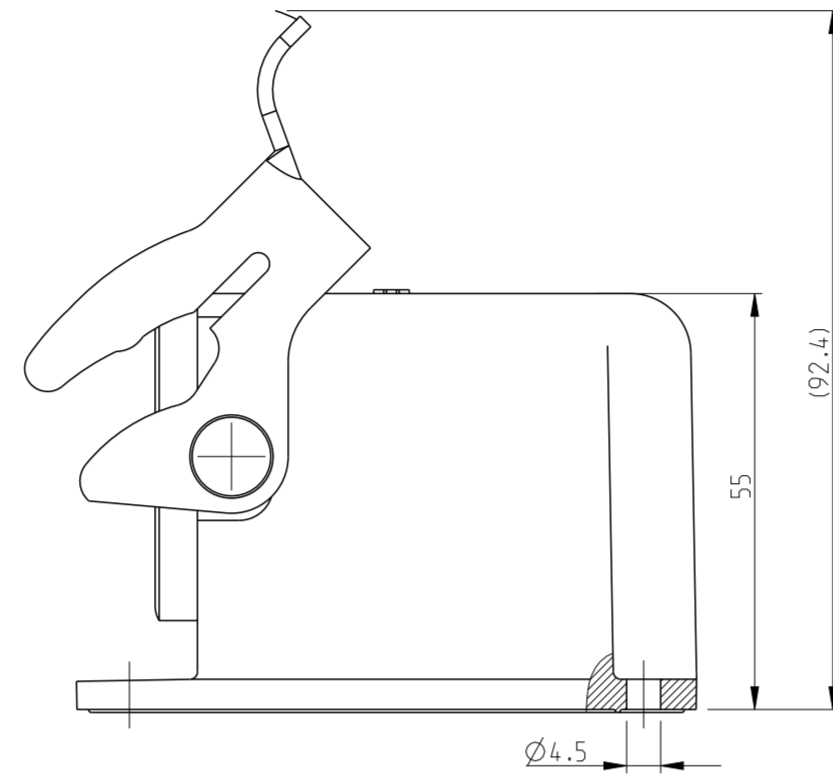
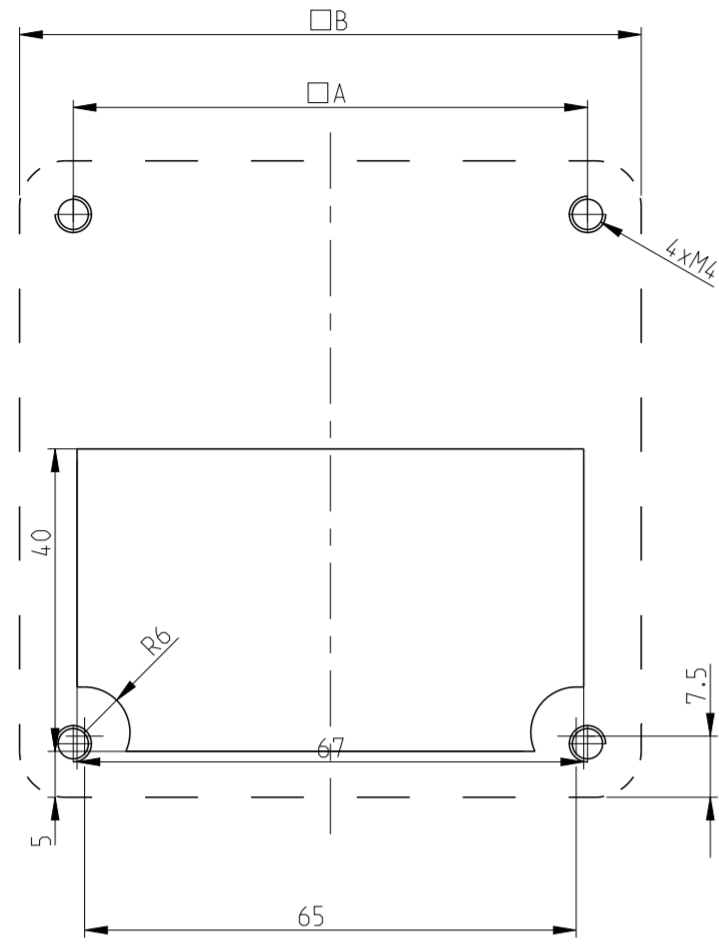


THIS DRAWING IS UNPUBLISHED. RELEASED FOR PUBLICATION
 © COPYRIGHT copyright_date BY - ALL RIGHTS RESERVED.

REVISIONS					
P	LTR	DESCRIPTION	DATE	DWN	APVD
A8		REVISED PER ECR-21-123594	27JAN2021	RK	JB

Panel Cut-Out



- Notes
- 1 Material: Housing: Aluminium Die Cast Alloy
Seals: Neoprene
 - 2 Surface: Power Varnish, Grey
 - 3 Varnish on the inside not necessary

OBsolete	OBsolete	OBsolete	OBsolete	Superseded BY 8-8	Superseded BY 8-4	Superseded BY 8-0	OBsolete	OBsolete	DESCRIPTION	PART NO	MATERIAL	SURFACE	A	B	REMARKS	ITEM NO	
									FLANGE SEAL	0-1245077-1	NBR	BLACK				5	
									PROFILE SEAL	0-1110426-2	NBR	BLACK				4	
									CLIP POSITIONER	0-1245084-1	STEEL	BLUE				3	
									SIDE CLIP	0-1110444-1	STEEL	BLUE				2	
									MCH-HM.10-98/98	1-1245076-4	ALU	GREY	98			1	
									MCH-HM.10-94/94	1-1245076-3	ALU	GREY	80	94		1	
									MCH-HM.10-90/90	1-1245076-5	ALU	GREY	79	90		1	
									MCH-HM.10-85/85	1-1245076-2	ALU	GREY	73	85		1	
									MCH-HM.10-82/82	1-1245076-1	ALU	GREY	68	82		1	
									MCH-HM.10-82/82-S0	1-1245076-6	ALU	GREY	68	82	NO LOGO	1	
8-8	8-4	8-0	0-2	9-8	9-4	9-0	8-5	8-2	0-1	DESCRIPTION	PART NO	MATERIAL	SURFACE	A	B	REMARKS	ITEM NO
										HM.10-82/82-S0							
										HM.10-82/82							
										HM.10-85/85							
										HM.10-90/90							
										HM.10-94/94							
										HM.10-98/98							
										HM.10-82/82-SET							
										HM.10-90/90							
										HM.10-94/94							
										HM.10-98/98							

THIS DRAWING IS A CONTROLLED DOCUMENT. DWN Schneider 16.02.2001
 CHK Schweiger 16.02.2001

DIMENSIONS: mm TOLERANCES UNLESS OTHERWISE SPECIFIED: n:ISO 8015; n:ISO 2768-mH-E; n:DIM 16901-120

MATERIAL: 1 ALU 2 ALU 3 ALU 4 ALU ANGLE FINISH

PRODUCT SPEC: - APPLICATION SPEC: - WEIGHT: -

CUSTOMER DRAWING SCALE 1:1 SHEET 1 OF 1 REV A8

NAME: Motor Connector Housing HM 10

SIZE: A2 CAGE CODE: 00779 DRAWING NO: C-1108772 RESTRICTED TO: -

TE Connectivity