



Connectors > Power Connectors > Power Contacts



Power Contact Type: **Contact**

Contact Mating Area Plating Material: **Nickel**

Wire Size: **26 – 22 AWG**

Connector & Contact Terminates To: **Wire & Cable**

Termination Method to Wire & Cable: **Crimp**

Features

Product Type Features

Power Contact Type	Contact
Connector & Contact Terminates To	Wire & Cable

Contact Features

Contact Size	Size 22
Contact Mating Area Plating Material	Nickel
Contact Current Rating (Max)	5 A
Contact Type	Socket
Mating Pin Diameter	.76 mm[.03 in]
Contact Base Material	Copper Alloy
Contact Mating Area Plating Material Thickness	.76 – 76 µm[30 µin]
Wire Contact Termination Area Plating Thickness	1.27 µm[50 µin]
Wire Contact Termination Area Plating Material	Nickel
Contact Orientation	Right Angle
Contact Underplating Material	Nickel

Termination Features

Termination Method to Wire & Cable	Crimp
------------------------------------	-------

Mechanical Attachment

Wire Insulation Support	With
-------------------------	------

Dimensions

--	--

Wire Size	26 – 22 AWG
-----------	-------------

Usage Conditions

Operating Temperature Range	-65 – 125 °C[-85 – 257 °F]
-----------------------------	----------------------------

Operation/Application

Circuit Application	Power & Signal
---------------------	----------------

Identification Marking

Contact Color Code	Green
--------------------	-------

Packaging Features

Packaging Quantity	1
Packaging Method	Package

Product Compliance

[For compliance documentation, visit the product page on TE.com>](#)

EU RoHS Directive 2011/65/EU	Not Compliant
EU ELV Directive 2000/53/EC	Compliant with Exemptions
China RoHS 2 Directive MIIT Order No 32, 2016	Restricted Materials Above Threshold
EU REACH Regulation (EC) No. 1907/2006	<p>Current ECHA Candidate List: JUNE 2023 (235) Candidate List Declared Against: JAN 2022 (223) SVHC > Threshold: Pb (1% in Component Part)</p> <p>Article Safe Usage Statements: Do not eat, drink or smoke when using this product. Wash thoroughly after handling. Recycle if possible and dispose of the article by following all applicable governmental regulations relevant to your geographic location.</p>
Halogen Content	Low Halogen - Br, Cl, F, I < 900 ppm per homogenous material. Also BFR/CFR/PVC Free
Solder Process Capability	Not applicable for solder process capability

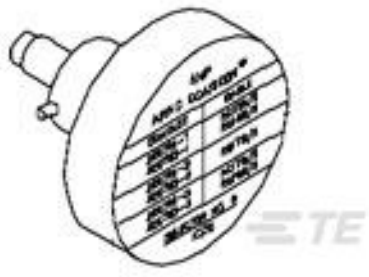
Product Compliance Disclaimer

This information is provided based on reasonable inquiry of our suppliers and represents our current actual knowledge based on the information they provided. This information is subject to change. The part numbers that TE has identified as EU RoHS compliant have a maximum concentration of 0.1% by weight in homogenous materials for lead, hexavalent chromium, mercury, PBB, PBDE, DBP, BBP, DEHP, DIBP, and 0.01% for cadmium, or qualify for an exemption to these limits as defined in the Annexes of Directive 2011/65/EU (RoHS2). Finished electrical and electronic equipment products will be CE marked as required by Directive 2011/65/EU. Components may not be CE marked. Additionally, the part numbers that TE has identified as EU ELV compliant have a maximum concentration of 0.1% by weight in homogenous materials for lead, hexavalent chromium, and mercury, and 0.01% for cadmium, or qualify for an exemption to these limits as defined in the Annexes of Directive 2000/53/EC (ELV). Regarding the REACH Regulation, the information TE provides on SVHC in articles for this part number is based on the latest European Chemicals Agency (ECHA) 'Guidance on requirements for substances in articles' posted at this URL: <https://echa.europa.eu/guidance-documents/guidance-on-reach>

Compatible Parts



TE Part # 601966-1
CRIMPING TOOL M22520/2-01



TE Part # 601966-8
POSITIONER, K267-1

Also in the Series

Customers Also Bought



TE Part #5273550001
TMS-SCE Military Grade Sleeves



TE Part #1577639-1
TERMINAL RT PIDG PEEK STRATO 14-12 AWG



TE Part #ZPF000000000110289
787-8055-31M




TE Part #ZPF000000000018259
FDDBA 50-16-26 SN-K



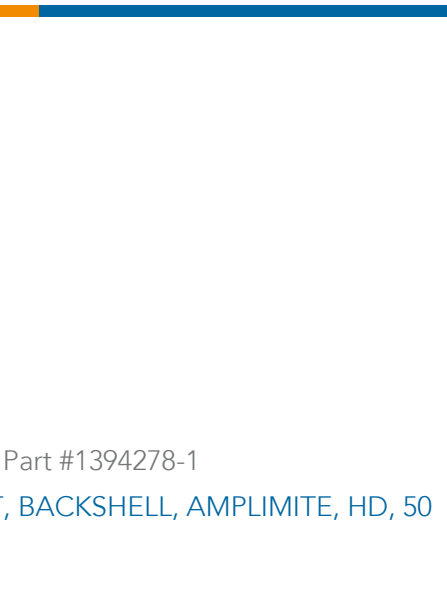
TE Part #1577648-1
TERMINAL RT PIDG PEEK STRATO 10 AWG




TE Part #ZPF000000000018658
FDDBA 50-8-33 SN-K 090



TE Part #829471-1
AMPLIMITE Backshell Cover, Size 3



TE Part #1394278-1
KIT, BACKSHELL, AMPLIMITE, HD, 50 P



TE Part #829470-1
37P ABDECKKAPP-SATZ

Documents

Product Drawings

SOC CONT ASY,SIZE 22,GPR

English



CAD Files

Customer View Model

[ENG_CVM_CVM_1738008-1_B.2d_dxf.zip](#)

English

3D PDF

3D

Customer View Model

[ENG_CVM_CVM_1738008-1_B.3d_igs.zip](#)

English

Customer View Model

[ENG_CVM_CVM_1738008-1_B.3d_stp.zip](#)

English

By downloading the CAD file I accept and agree to the [Terms and Conditions](#) of use.

Datasheets & Catalog Pages

[ARINC 600 Next Generation Receptacle Connector](#)

English