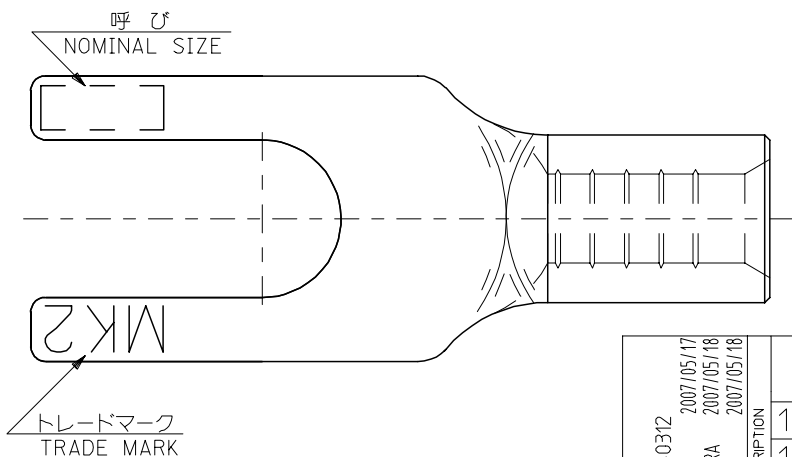
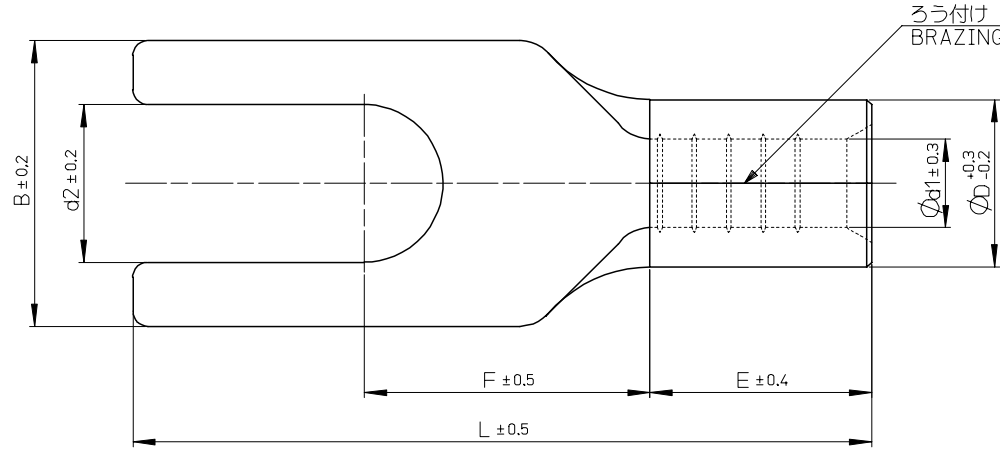


10 9 8 7 6 5 4 3 2 1

F  
E  
D  
C  
B  
A



注記 NOTES

- 材質 MATERIAL  
端子：無酸素銅、錫めっき  
TERMINAL: OXYGEN-FREE COPPER, TIN PLATING  
ろう付け部 リン銅ろう  
COPPER PHOSPHORUS BRAZING FILLER METALS  
(PART OF BRAZING)
- 適用電線 APPLICABLE WIRE RANGE

ENG. NO.	単線(mm) SOLID WIRE	撚線(mm <sup>2</sup> ) STRANDED (mm) WIRE (mm <sup>2</sup> )	AWG
50323-7*12	1.14~1.82	1.04~2.63	#16-#14

0.8	3.7	16	6.6	4.5	2.4	4.1	5.7	Y2	3.5SS	50323-7912
	6.4	20	8.6				12		6	50323-7812
	5.3	16.8	7.3				9.5		5	50323-7712
	4.3	16					8		4L	50323-7612
			3.7				15.8		7.6	7
	6.6	6.4							4S	50323-7412
3.2	6.6	7.6	6.4	3.5L	50323-7312					
t	∅d2	L	F	E	∅d1	∅D	B	呼び NOMINAL SIZE	∅	ENG. NO.

REVISED EC NO: J2007-0312 DRW: H.YAJIMA 2007/05/17 CHK: K.KASAHARA 2007/05/18 APP: NUKITA 2007/05/18	GENERAL TOLERANCES (UNLESS SPECIFIED)		DIMENSION STYLE MM ONLY		SCALE ---	DESIGN UNITS METRIC	THIRD ANGLE PROJECTION		
	10 UNDER	± ---	DRAWN BY H. YAJIMA	DATE '06/08/24	TITLE SPADE TERMINAL				
	10 OVER 30 UNDER	± ---	CHECKED BY K. KASAHARA	DATE '06/08/24	MATERIAL NO. SEE CHART				
	30 OVER	± ---	APPROVED BY N. UKITA	DATE '06/08/24	DOCUMENT NO. SD-50323-001				
	ANGULAR ± --- °	DRAFT WHERE APPLICABLE MUST REMAIN WITHIN DIMENSIONS		SIZE A3	SHEET NO. 1 OF 1				