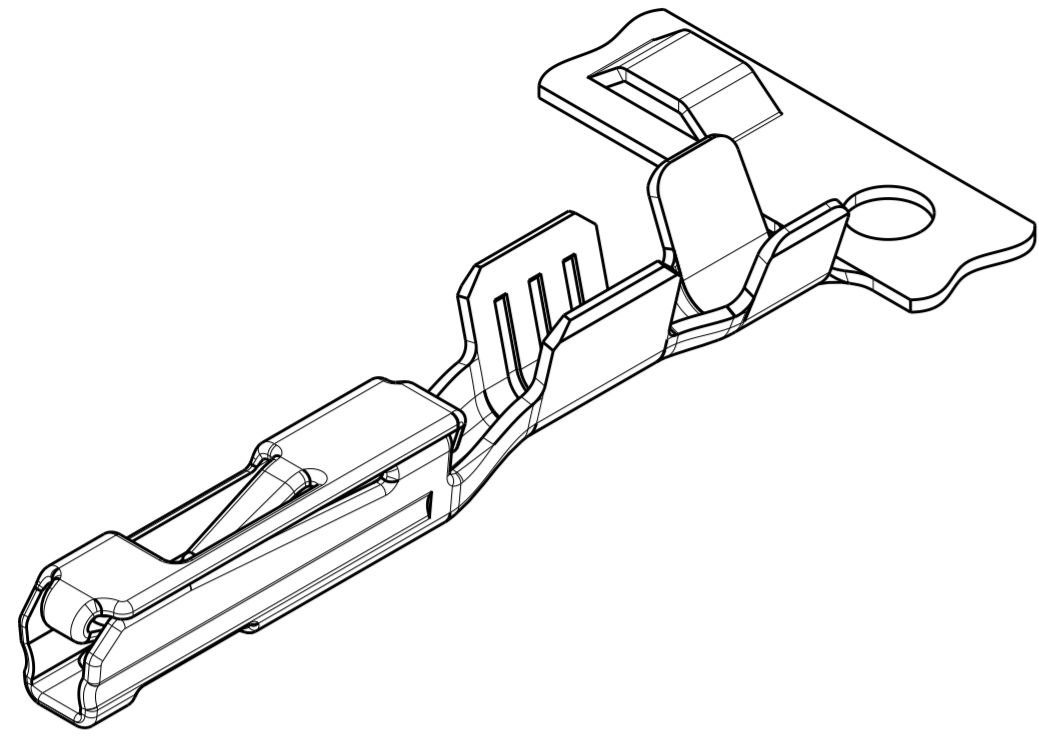
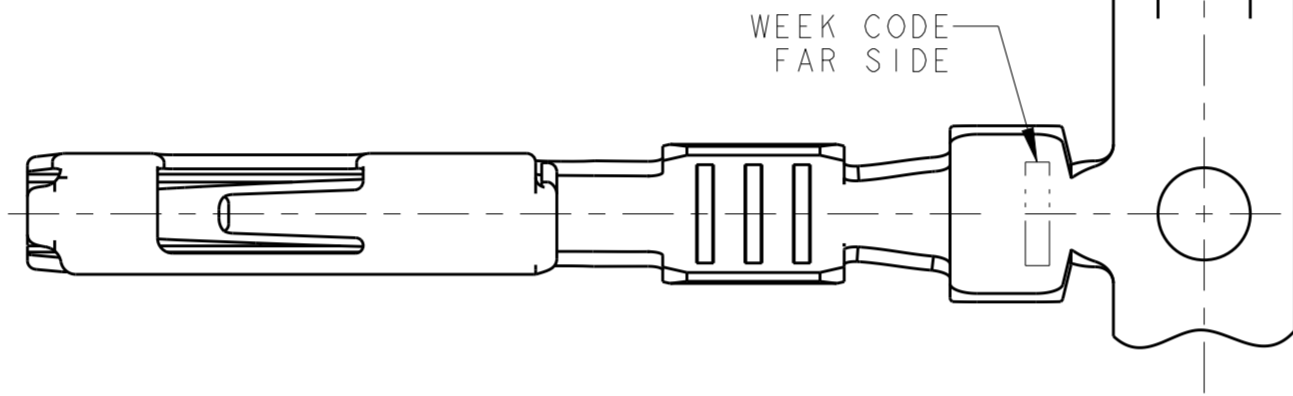


THIS DRAWING IS UNPUBLISHED. RELEASED FOR PUBLICATION 20
 © COPYRIGHT 20 BY - ALL RIGHTS RESERVED.

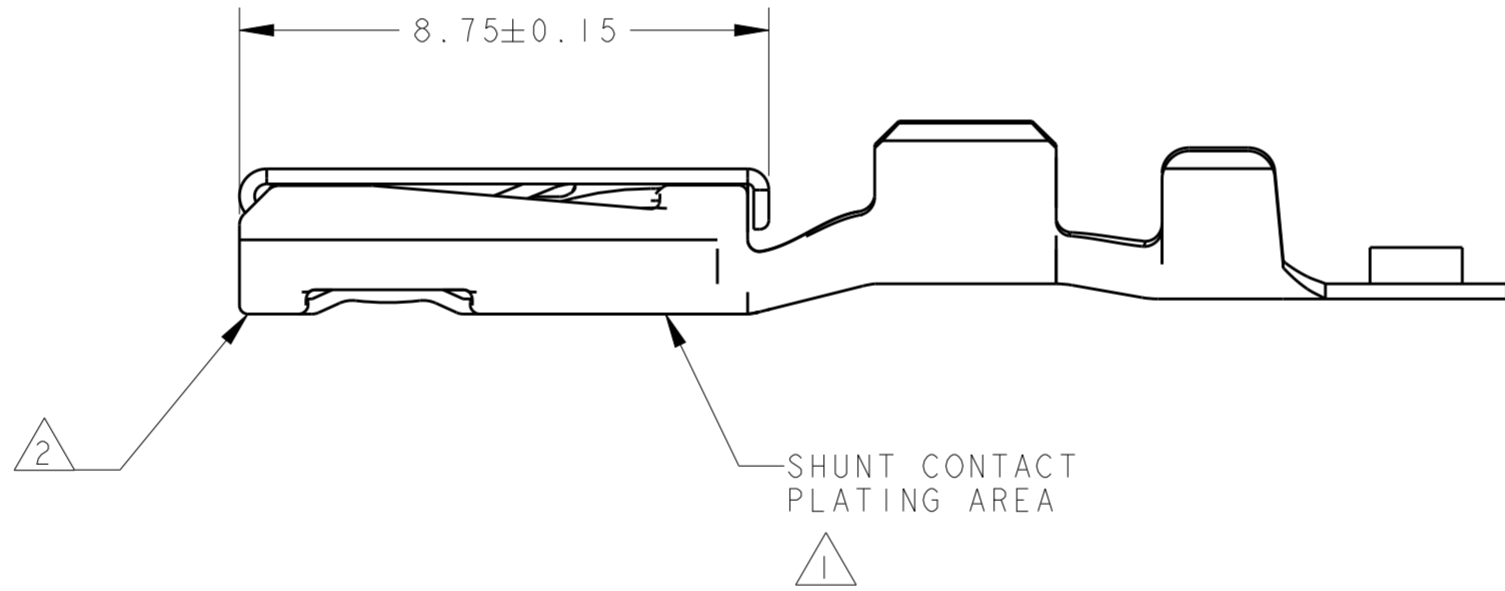
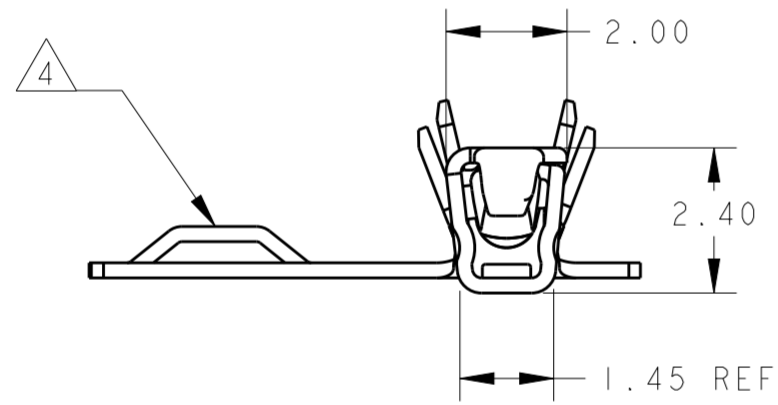
LOC	DIST	REVISIONS			
P	LTR	DESCRIPTION	DATE	DWN	APVD
FX	00	A	INITIAL RELEASE	17DEC2012	DD MB



3.00±0.15
 1.50±0.15



- 1 FINISH: PLATED 0.00076 MIN THICK GOLD IN MATING AREA, PLATED 0.00038 MIN THICK GOLD IN SHUNT CONTACT PLATING AREA WITH 0.0025 MIN THICK TIN IN WIRE CRIMP AREA, ALL OVER 0.002 MIN THICK NICKEL.
- 2 GOLD FLASH THIS AREA PROVIDED FOR VISUAL INDICATION THAT TERMINAL IS GOLD PLATED.
- 3 PART LUBRICATED WITH CHEMLUBE 1102
- 4 FEATURE ON CARRIER STRIP IS RAISED ON GOLD PLATED PRODUCT. FEATURE APPEARS ADJACENT TO EVERY OTHER CONTACT MIN.
- 5 SEE FIGURE 1 FOR REELING DIRECTION.
- 6. FOR LEVER ASSISTED CONNECTORS WITH SIDE SLIDE ACTION THE ALLOWABLE WIRE BRUSH LENGTH RANGE IS 0.10-0.70MM.



SHUNT CONTACT PLATING AREA

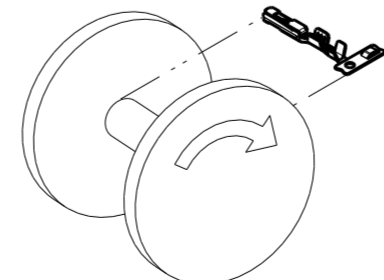


FIGURE 1

REELING DIRECTION OFF TOP OF REEL

5	3	1	18-20	2203520-3
REELING	LUBRICATION	FINISH	WIRE SIZE	PART NUMBER

THIS DRAWING IS A CONTROLLED DOCUMENT.		DWN D. DRUMMOND 17DEC2012	18-20		2203520-3	
DIMENSIONS: mm		CHK M. BANAS 17DEC2012	108-2220		STE TE Connectivity	
TOLERANCES UNLESS OTHERWISE SPECIFIED: 0 PLC ± 1 PLC ± 2 PLC ±0.20 3 PLC ± 4 PLC ± ANGLES ±3° FINISH		APVD M. BANAS 17DEC2012	114-13006		NAME CONTACT, FEMALE, 0.64mm, GOLD PLATED	
MATERIAL 0.25 THK COPPER ALLOY		PRODUCT SPEC 108-2220	APPLICATION SPEC 114-13006		SIZE A200779	
SEE TABLE		WEIGHT -	CUSTOMER DRAWING		DRAWING NO C-2203520	
		SCALE 8:1		SHEET 1 OF 1		REV A