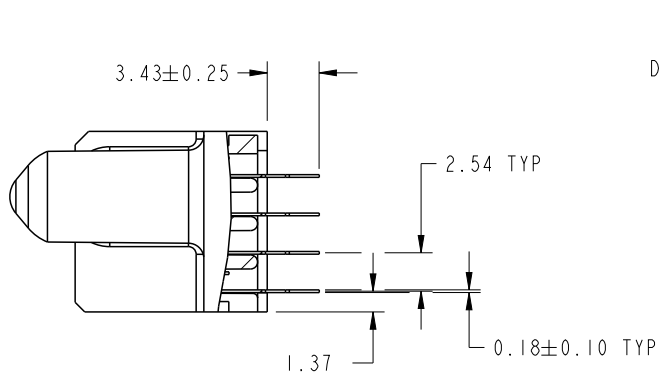


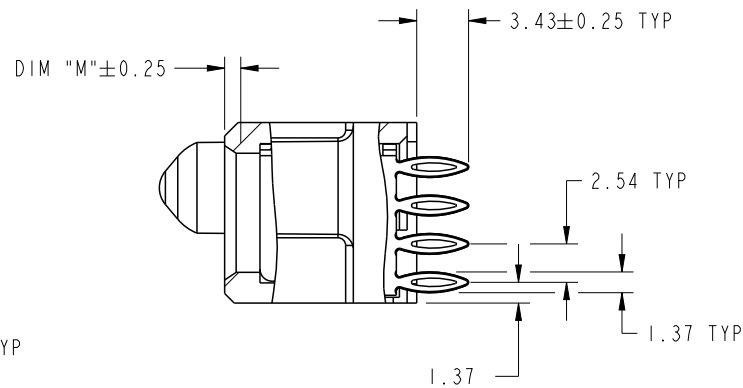


PRODUCT NUMBER

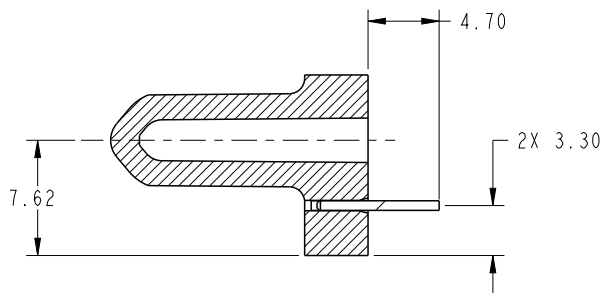
51940-454\_\_  
NOTE: 3



SECTION A-A  
SCALE 2:1



SECTION B-B  
SCALE 2:1

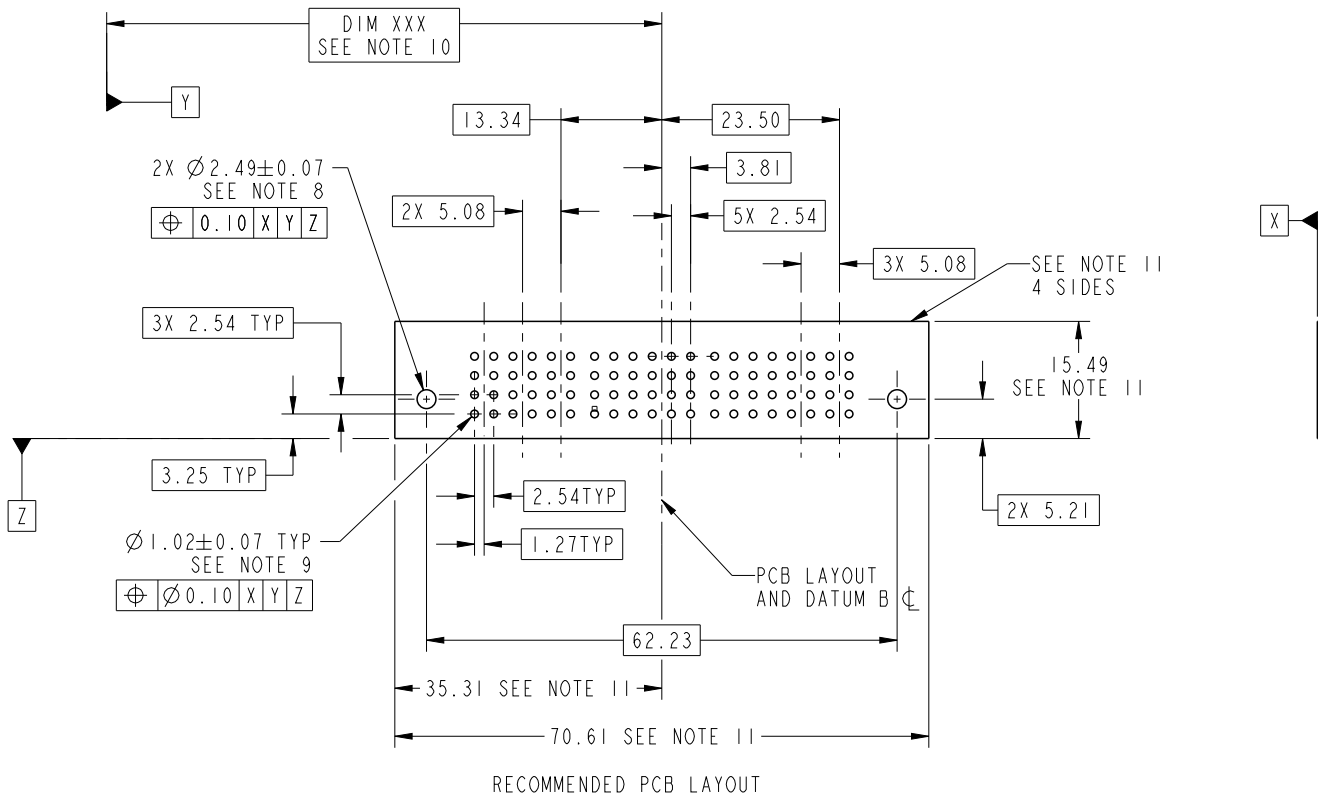


SECTION C-C  
SCALE 2:1

dr	X Q Wang	2012/08/15	projection 	MM 	size	A4	scale	1:1
eng	Luo Weller	2012/09/21			ecn no	-		
chr	-	-			rel level	Released		
appr	Pei-Ming Zheng	-	product family	PwrBlade	rev	A		
		title 4DCP + 24S + 3DCP VERTICAL PRESS-FIT RECEPT			dwg no 51940-454		www.fci.com	
cat. no.		*	Product - Customer Drw		sheet 2 of 4			

PRODUCT NUMBER

51940-454\_\_  
NOTE: 3



dr	X Q Wang	2012/08/15	projection 	MM 	size	A4	scale	1:1
eng	Luo Weller	2012/09/21			ecn no	-		
chr	-	-			rel level	Released		
appr	Pei-Ming Zheng	-	product family	PwrBlade	rev	A		
	title	4DCP + 24S + 3DCP VERTICAL PRESS-FIT RECEPT		dwg no	51940-454	sheet 3 of 4		
www.fci.com	cat. no.	*	Product - Customer Drw		sheet 3 of 4			

1

2

3

4

PRODUCT NUMBER

51940-454\_\_  
NOTE: 3

NOTES:

1. DIMENSIONS AND TOLERANCES ARE IN ACCORDANCE WITH ASME Y14.5M, 1994 UNLESS OTHERWISE SPECIFIED.

CONNECTOR NOTES:

2 HOUSING MATERIAL: UL 94 V-0 GLASS FILLED HIGH-TEMP THERMOPLASTIC  
POWER CONTACT MATERIAL: COPPER ALLOY  
SIGNAL PIN MATERIAL: COPPER ALLOY

3. SEE ITEM 7 & 8 IN PRINT 10064183 FOR PLATING SPEC OF 51940-454 AND 51940-454LF RESPECTIVELY.

4 MANUFACTURER'S NAME, DATE CODE AND OPTIONAL P/N TO APPEAR ON THIS SURFACE. THE MARK CAN BE OMITTED IF THERE IS NOT ENOUGH SPACE ON THIS SURFACE.

5. PRODUCT SPECIFICATION GS-12-149.  
APPLICATION SPECIFICATION BUS-20-067.

6. PACKAGED IN TRAYS.

PCB NOTES:

7. ALL HOLE DIAMETERS ARE FINISHED HOLE SIZE.

8 MOUNTING HOLES, WHERE APPLICABLE, ARE UNPLATED.

9  $\varnothing 1.151 \pm 0.025$  DRILLED HOLES PLATED WITH  
0.008 MIN SnPb OR Sn OVER 0.03  
TO 0.08 Cu PLATING TO ACHIEVE  
 $\varnothing 1.02 \pm 0.07$  HOLE.

10 "DIM XXX" TO BE DETERMINED BY THE CUSTOMER.

11 CONNECTOR KEEP-OUT ZONE.

12. THE VOID CORING IN BETWEEN POWER MODULES, SIGNAL MODULES AND END MODULES ARE OPTIONAL AND THE SHAPE MAY BE DIFFERENT FOR OPTIMIZE THE MOLDING PROCESS. THE VOID CORING WILL NOT EFFECT TO PRODUCT FUNCTION.



Copyright FCI.

dr	X Q Wang	2012/08/15	projection 	MM 	size	A4	scale	1:1	
eng	Luo Weller	2012/09/21			ecn no	-			
chr	-	-			product family	PwrBlade	rel level	Released	
appr	Pei-Ming Zheng	-			title	4DCP + 24S + 3DCP VERTICAL PRESS-FIT RECEPT		rev	A
www.fci.com		cat. no.	*	Product - Customer Drw			sheet 4 of 4		

2

3