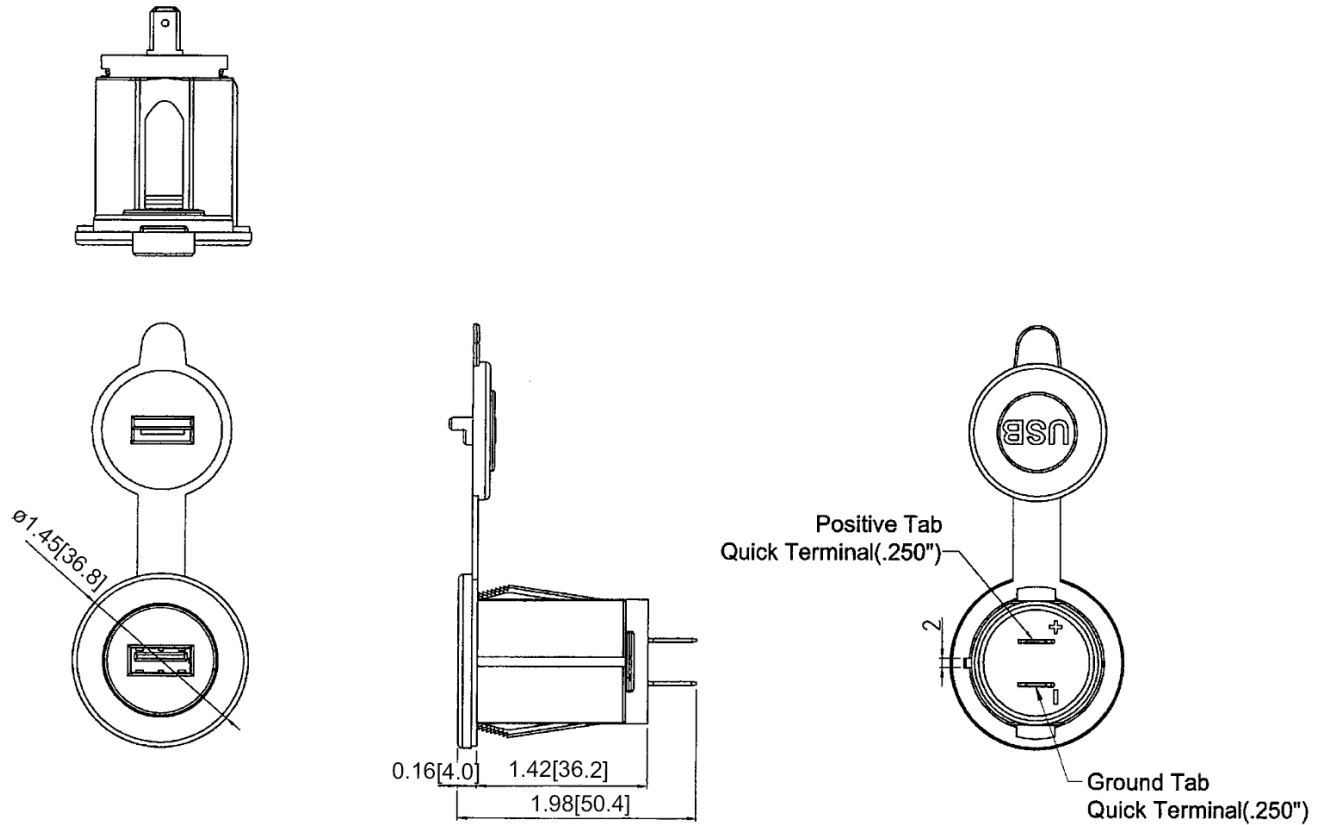
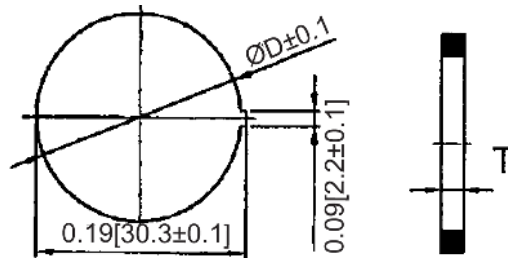


**Mechanical Dimensions: Inches [mm]**

Tolerances  $\pm 0.012$  [0.3] Unless Otherwise Specified



**Mounting Hole**



T	0.1 [2.5]	0.15 [3.8]	0.25 [6.3]	0.29 [7.3]
D	$\phi 1.14$ [29.0]	$\phi 1.14$ [29.0]	$\phi 1.16$ [29.5]	$\phi 1.17$ [29.8]

**Electrical Specifications**

Input Rating	12/24V
Output Rating	5V 2.1A max DC
Insulation Resistance	DC 500V 100M ohms
Dielectric Strength	AC 1500V 1 min
Operating Temperature	-20°C ~ 45°C

**Material Specifications**

	LED power indicator inside
Housing	Nylon with Fiberglass (UL94-HB), Black
Cap	PVC

**Rev      Date of issue      Revision Notes**

**Designed      Approved**

A	12-03-2020	Initial Drawing	RC	OF
---	------------	-----------------	----	----