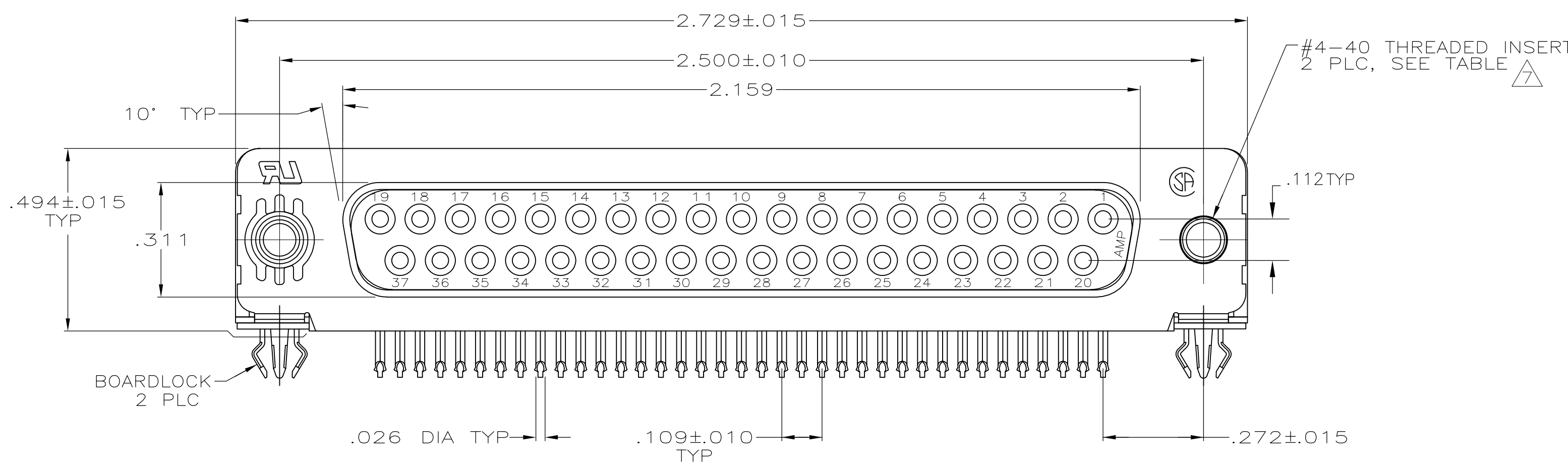
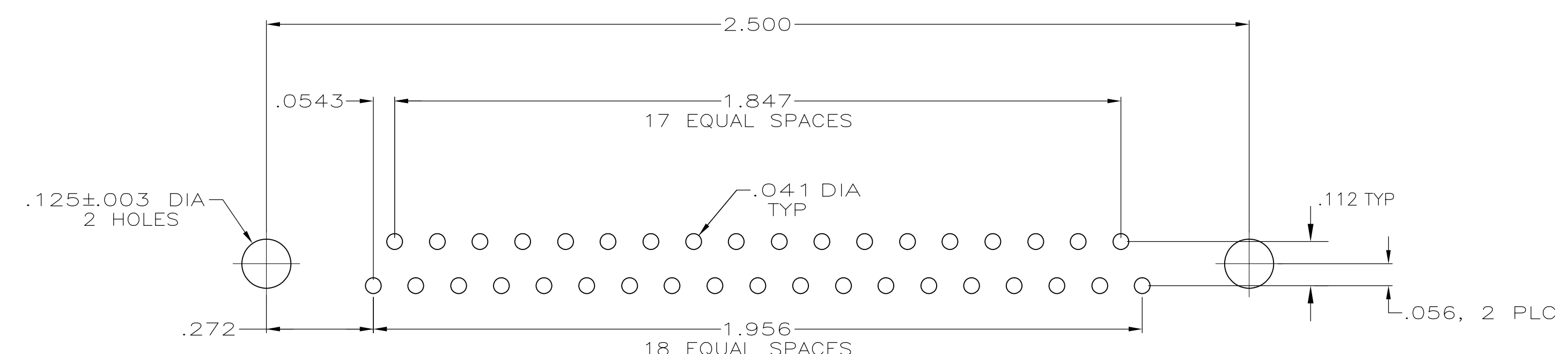
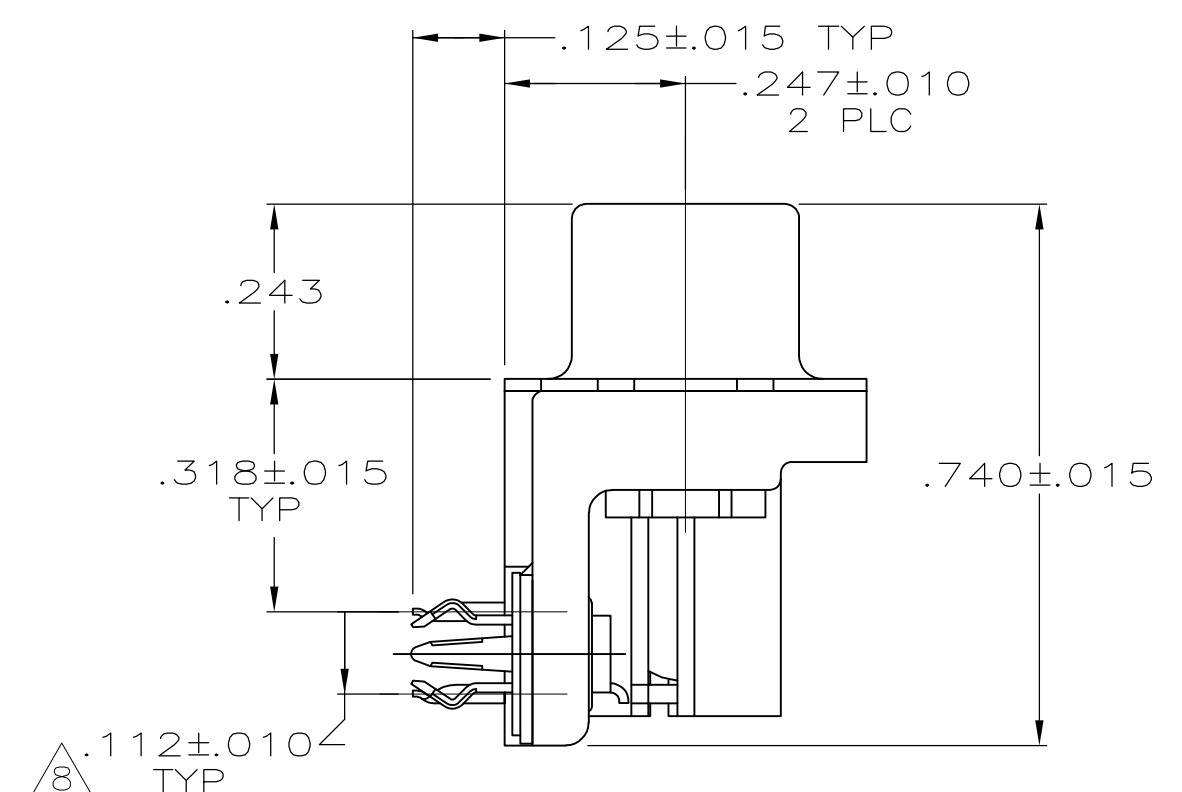
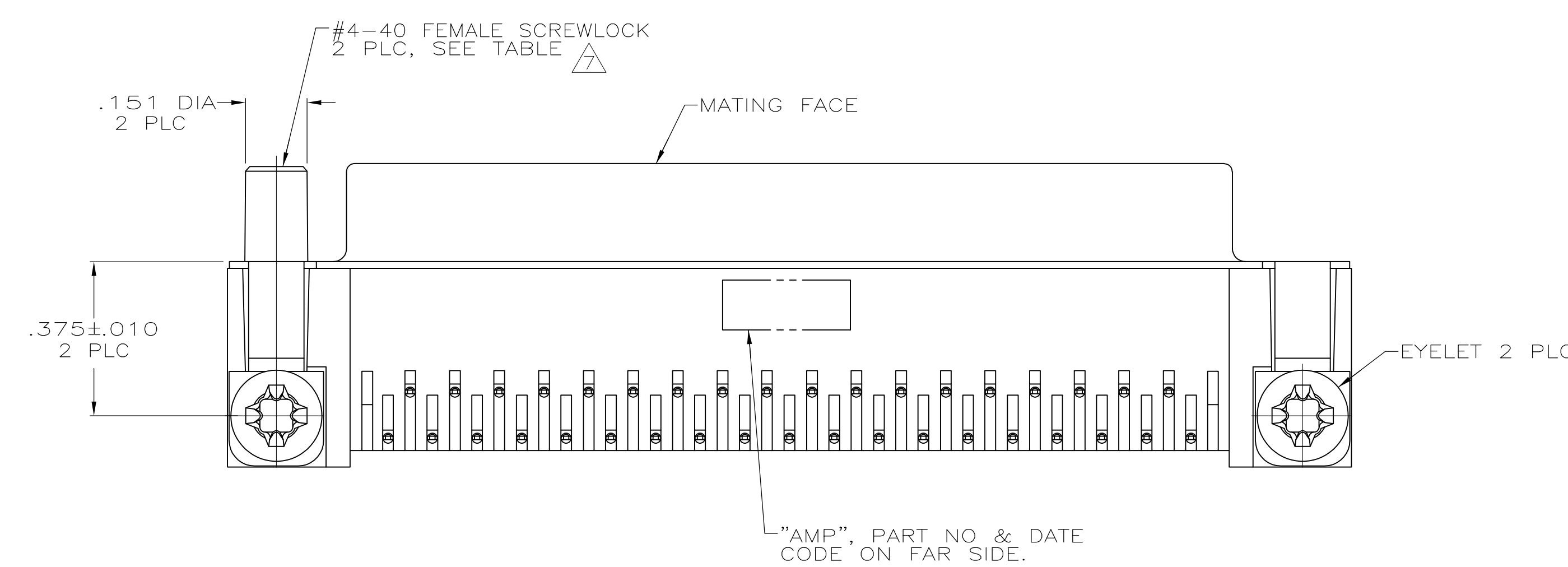


LOC		DIST		REVISIONS			
P	LT	DESCRIPTION	DATE	DN	APD		
V		REVISED PER EC 0S13-0176-03	28MAY03	JG	CC		
V1		REVISED PER ECO-09-021826	05JAN10	KK	AEG		



1. CONNECTOR MATES WITH ANY 37 POSN PLUG IN AMPLIMITE™ SERIES.
2. MOLDED PARTS: FLAME RETARDANT 94V-0 RATED THERMOPLASTIC, BLACK.
SHELL: STEEL PER ASTM A109
CONTACTS: PHOSPHOR BRONZE PER QQ-B-750
EYELETS: BRASS
INSERTS AND SCREWLOCKS: ZINC
BOARDLOCKS: COPPER ALLOY
3. SHELL: .000100 MIN TIN OR TIN-LEAD
CONTACTS: SEE TABLE
EYELETS: TIN
BOARDLOCKS: SEE TABLE
INSERTS AND SCREWLOCKS: CLEAR CHROMATE
4. GOLD PLATING PER MIL-G-45204, NICKEL PLATING PER QQ-N-290, TIN PLATING PER MIL-T-10727.
5. GOLD FLASH FOR A DISTANCE OF .100 MIN FROM MATING END, .000100-.000200 BRIGHT TIN OR BRIGHT TIN-LEAD ON TERMINATION END, ALL OVER .000050 NICKEL ON ENTIRE CONTACT.
6. .000030 GOLD FOR A DISTANCE OF .100 MIN FROM MATING END, .000100-.000200 BRIGHT TIN OR BRIGHT TIN-LEAD ON TERMINATION END, ALL OVER .000050 NICKEL ON ENTIRE CONTACT.
7. SCREWLOCKS & INSERTS WILL WITHSTAND 4 IN-LBS TORQUE & 20 LBS PULL OUT FORCE FROM MATING FACE SIDE.
8. DIMENSION APPLIES FROM CENTER OF CONTACTS.
9. OBSOLETE PARTS: OBSOLETE CIS STREAMLINING PER D.RENAUD/D.SINISI



RECOMMENDED P.C. BOARD MOUNTING DIMENSIONS

OBSOLETE	FEMALE SCREWLOCKS	TIN	6	6-747847-8
	THREADED INSERTS	TIN	6	6-747847-7
SUPSD BY 747847-6	FEMALE SCREWLOCKS	TIN-LEAD	6	747847-6
	FEMALE SCREWLOCKS	TIN-LEAD	5	747847-5
SUPSD BY 747847-4	THREADED INSERTS	TIN-LEAD	6	747847-4
	THREADED INSERTS	TIN-LEAD	5	747847-3
SUPSD BY 747847-4	.125 DIA HOLES	TIN-LEAD	6	747847-2
	.125 DIA HOLES	TIN-LEAD	5	747847-1
OBSOLETE				
	MOUNTING HARDWARE	BOARDLOCK FINISH	CONTACT FINISH	PART NUMBER

THIS DRAWING IS A CONTROLLED DOCUMENT. DWN: J.GALLUCCI/BG 28-JAN-01
CHK: W.G. LENKER 15-APR-01
APVD: J. YOUNG 15-APR-01

AMP Incorporated
Harrisburg, PA 17105-3608

RECEPTACLE ASSEMBLY, SIZE 4, 37 POSITION, RIGHT ANGLE, FRONT METAL SHELL, .318 SERIES, .026 DIA POSTS, BOARDLOCKS, AMPLIMITE™ HD-20

PRODUCT SPEC: 108-40025
APPLICATION SPEC: 114-40010

SIZE: A100779
CAGE CODE: 747847
DRAWING NO: 747847

MATERIAL: AND CALLOUTS
FINISH: AND CALLOUTS

WEIGHT: -
CUSTOMER DRAWING

SCALE: 4:1
SHEET: 1 OF 1
REV: V1