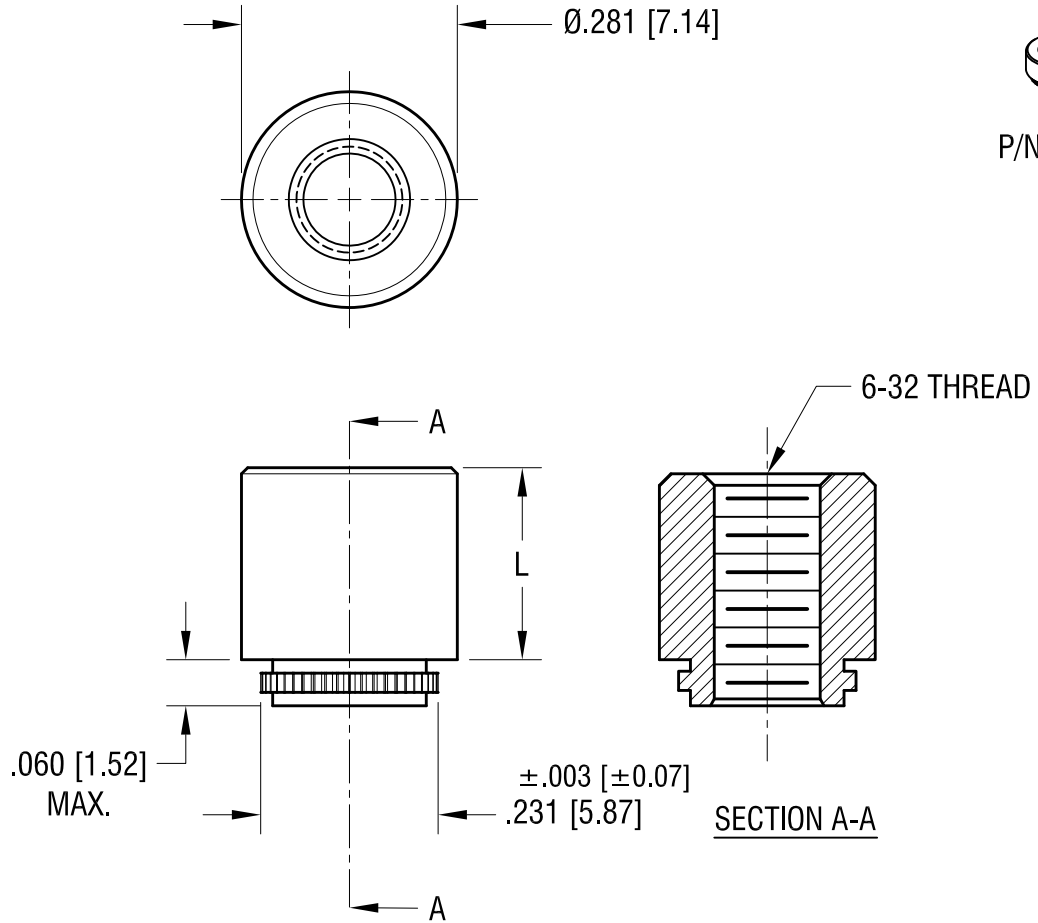


THIS DOCUMENT IS THE PROPERTY OF  
KEYSTONE ELECTRONICS CORP. AND  
SHALL NOT BE REPRODUCED, DISTRIBUTED  
OR USED AS A BASIS FOR MANUFACTURE  
WITHOUT PRIOR WRITTEN PERMISSION  
FROM KEYSTONE ELECTRONICS CORP.

ACTUAL SIZE



P/N 4867



PART NO.	'L' DIM.
4866	.065 [1.65]
4867	.125 [3.18]
4868	.250 [6.35]
4869	.375 [9.53]

**KEYSTONE ELECTRONICS CORP.**  
www.keyelco.com • NEW HYDE PARK NY 11040 • Tel (516)328-7500

PART NAME <b>FORCE-FIT STANDOFF, THREADED</b>			
MATERIAL <b>STAINLESS STEEL</b>			
FINISH <b>NONE</b>		DRN BY <b>BOONE</b>	DATE <b>10.10.96</b>
		APP'D <b>LN</b>	SCALE <b>4X</b>
TOLERANCES DECIMAL ANGULAR ± 1° UNLESS OTHERWISE SPECIFIED	INCH [MM] ± .005 [± 0.13]	CODE <b>C</b>	DWG NO. <b>4866 - 4869</b>

11.22.21	CHANGE AS PER ECN21-148	B
12.19.05	CHANGE AS PER ECN 05-086	A
DATE	DESCRIPTION	REV.