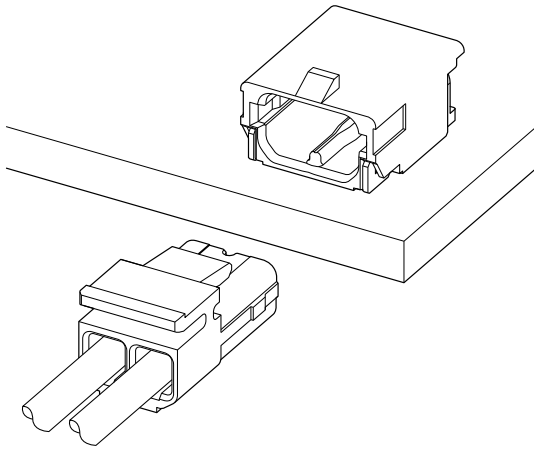


SFK CONNECTOR

1.8mm pitch/Disconnectable Crimp style connectors



This SFK connector is a wire-to-board connector for connecting power supply and PCB and withstands high voltage. It is used for power supply of LED backlight in Liquid Crystal Display Television set.

- Withstand high voltage
- Secure locking structure
- Halogen-free

Specifications

- Current rating: 4 A AC, DC (AWG #22)
- Voltage rating: 350 V AC, DC
- Temperature range: -25°C to +85°C
(including temperature rise in applying electrical current)
- Contact resistance: Initial value/ 10 mΩ max.
After environmental tests/ 20 mΩ max.
- Insulation resistance: 1,000 MΩ min.
- Withstanding voltage: 1,700 VAC/minute
- Applicable wire: Conductor size/ AWG #30 to #22
Insulation O.D./ 0.7 to 1.3 mm

* Refer to "General Instruction and Notice when using Terminals and Connectors" at the end of this catalog.

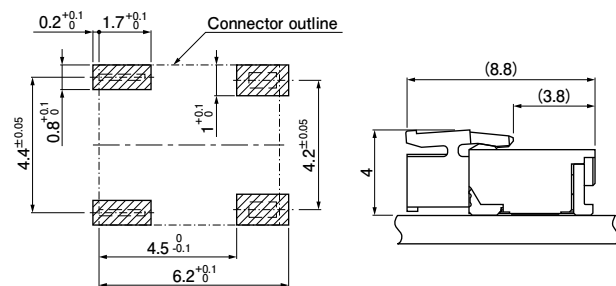
* Contact JST for details.

* Compliant with RoHS.

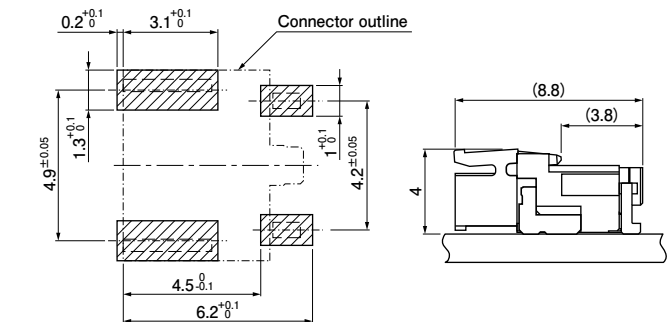
Standards

Recognized E60389

PC board layout and Assembly layout



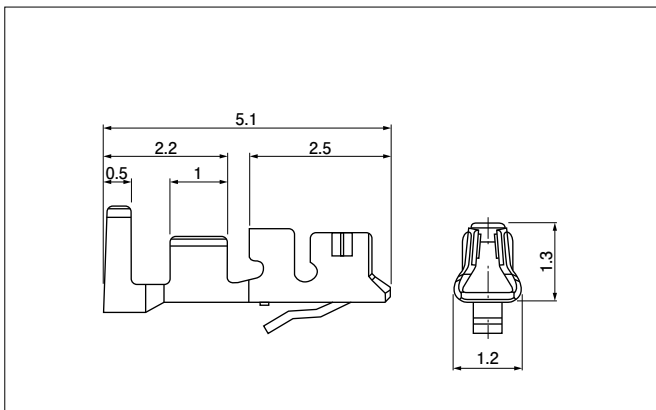
● B type



Note: 1. The above figure is the figure viewed from the connector mounting side.

2. Tolerances are non-cumulative: ± 0.05 mm for all centers. The dimensions above should serve as a guideline. Contact JST for details.

Contact



Model No.	Applicable wire		Insulation O.D. (mm)	Q'ty/reel
	mm ²	AWG#		
SSFH-001T-P0.5	0.13 to 0.33	26 to 22	0.95 to 1.3	15,000
SSFH-002T-P0.5	0.05 to 0.13	30 to 26	0.7 to 1.25	15,000

Material

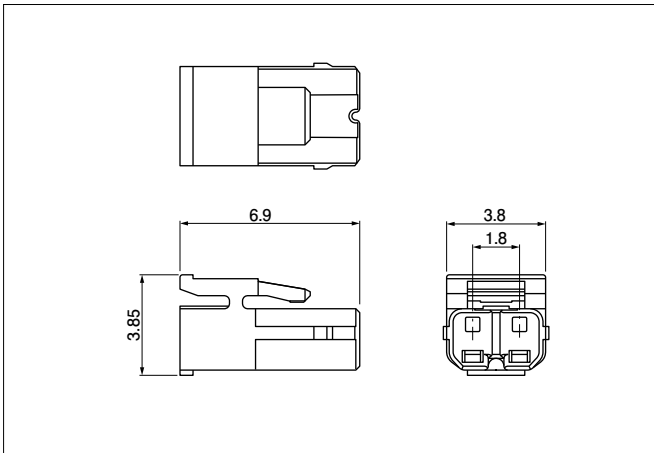
Copper alloy, tin-plated (reflow treatment)

RoHS compliance

Contact	Crimping machine	Applicator		
		Crimp applicator	Dies	Crimp applicator with dies
SSFH-001T-P0.5	AP-K2N	MKS-L	MK/SSFH-001-05	APLMK SSFH001-05
		—	—	—
SSFH-002T-P0.5	—	MKS-L	MK/SSFH-002-05	APLMK SSFH002-05
		—	—	—

Note: Contact JST for fully automatic crimping applicator.

Housing

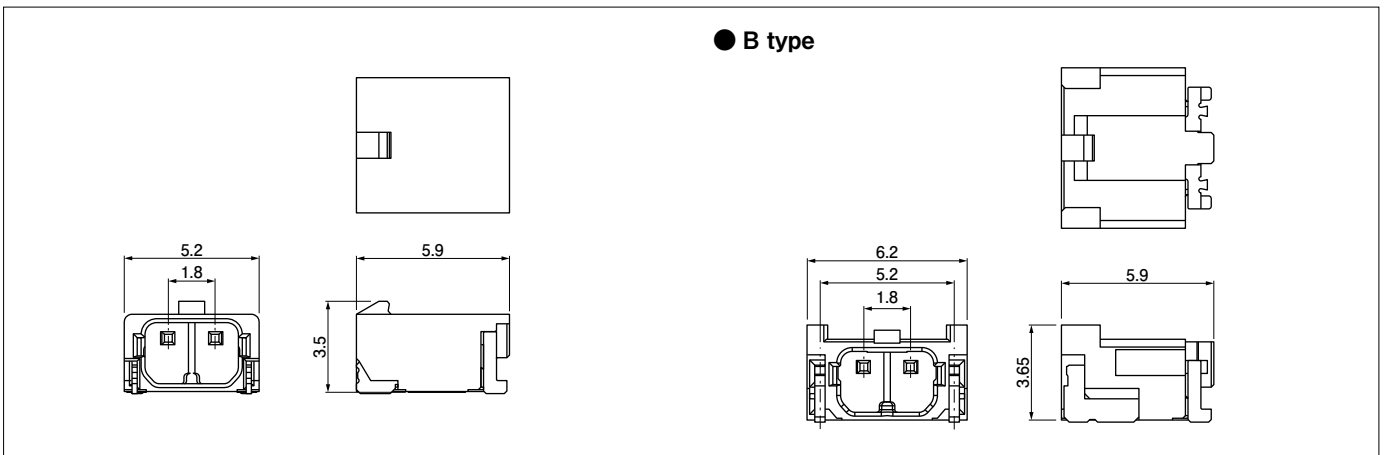


No. of circuits	Model No.	Q'ty/bag
2	SFKR-02V-S	2,000

Material		
PA 66, UL94V-0, natural (white)		

RoHS compliance

Header



● B type

No. of circuits	Model No.	Q'ty/reel
2	SM02B-SFKH-TF	3,000

Material and Finish		
Press pin: Brass, copper-undercoated, tin-plated (reflow treatment)		
Wafer: PA 6T, UL94V-0, gray		
Solder tail: Brass, copper-undercoated, tin-plated (reflow treatment)		

RoHS compliance

Note: The product listed above is supplied on embossed-tape.

● B type

No. of circuits	Model No.	Q'ty/reel
2	SM02B-SFKBS3-TF	3,000

Material and Finish		
Press pin: Brass, copper-undercoated, tin-plated (reflow treatment)		
Wafer: PA 4T, UL94V-0, natural		
Solder tail: Brass, copper-undercoated, tin-plated (reflow treatment)		

RoHS compliance

Note: The product listed above is supplied on embossed-tape.

SFK CONNECTOR

Model number allocation

Contact

S SFH - 001 T - P 0.5

Form: S...Strip form

Series name

Applicable wire range: 001...AWG #26 to #22
002...AWG #30 to #26

Surface finish: T...Tin-plated (reflow treatment)

Material: P...Copper alloy

Terminal size

Housing

SFK R - 02 V - S

Series name

Part name: Receptacle

No. of circuits: 2

Flammability: V...UL94V-0

Color: S...Natural (White)

Header

SM 02 B - SFK H - TF

Shape of assembled product:
SM...SMT side entry type

No. of circuits: 2

Part name: Header

Series name

Color: H...Gray

Packaging style: TF...Embossed-taping

Header (B type)

SM 02 B - SFKB S 3 - TF

Shape of assembled product:
SM...SMT side entry type

No. of circuits: 2

Part name: Header

Series name

Color: S...Natural

Resin material: PA 4T

Packaging style: TF...Embossed-taping