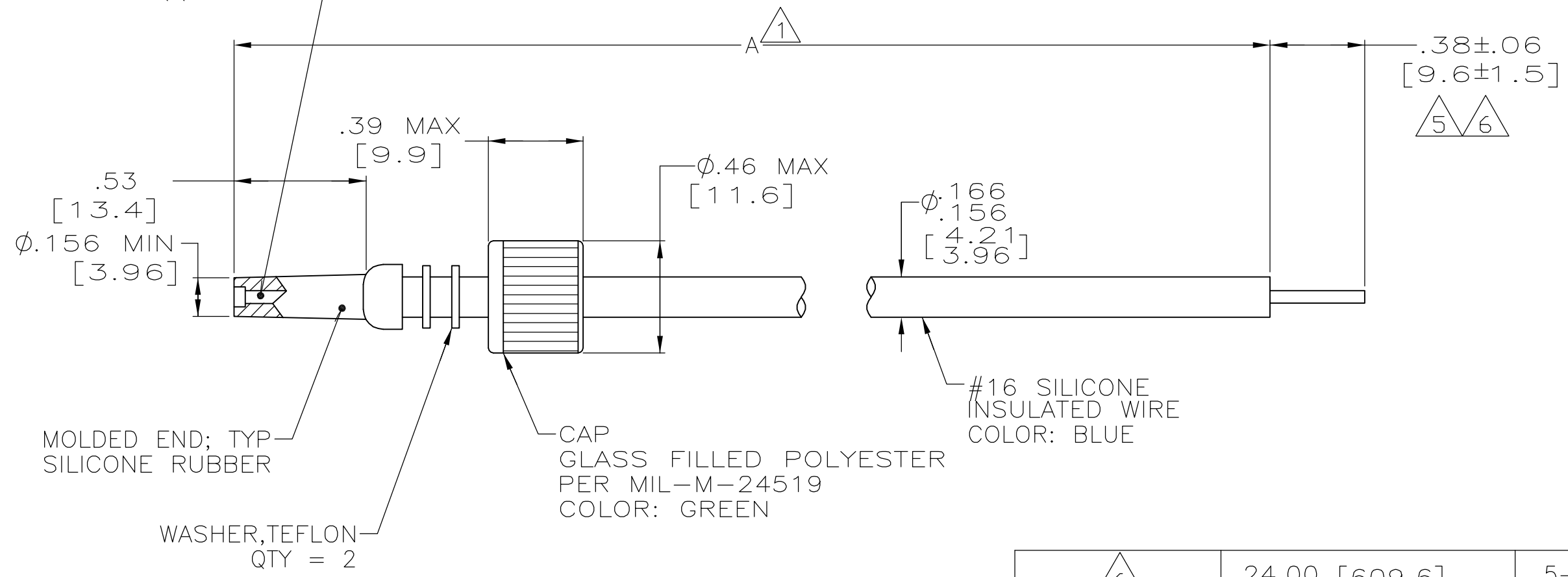


THIS DRAWING IS UNPUBLISHED. RELEASED FOR PUBLICATION  
 © COPYRIGHT BY TYCO ELECTRONICS CORPORATION. ALL RIGHTS RESERVED.

LOC	DIST	REVISIONS					
DF	SO	P	LTR	DESCRIPTION	DATE	DWN	APVD
			E	REV PER ECO 05-015021	27JAN06	BL	CT

SOCKET; SIZE #16  
 MAT'L: Be Cu PER QQ-C-530  
 FINISH: GOLD PER MIL-G-24308  
 OVER NICKEL PER QQ-N-290



- 1 TOLERANCE OF LEAD LENGTH:  
 UP TO 24 INCHES [609.6] = .12[±3.0]  
 24 INCHES [609.6] & UP = ±1%
- 2. MARKED PER MIL-STD-130.
- 3. TO MATE WITH AMP LGH-1/2  
 RECEPTACLE WITH .53 [13.4] BARREL DEPTH.
- 4. OPERATING VOLTAGE: 10 KVDC AT 0 TO 70,000 FEET,  
 -55°C TO 125°C.
- 5 PIGTAIL IS SOLDER DIPPED.
- 6 INSULATION CUT, BUT NOT REMOVED.

6	24.00 [609.6]	5-868313-3
5	24.00 [609.6]	868313-3
5	36.00 [914.4]	868313-2
5	26.00 [660.4]	868313-1
REMARKS	A DIM 1	PART NO

THIS DRAWING IS A CONTROLLED DOCUMENT.		DWN C.C.THOMAS 1-11-90	Tyco Electronics Corporation Harrisburg, PA 17105-3608				
DIMENSIONS: INCHES		CHK D.EABY 4-27-90					
TOLERANCES UNLESS OTHERWISE SPECIFIED:		APVD D.EABY 4-27-90	NAME LEAD ASS'Y, SINGLE MOLDED END LGH-1/2 (BLUE)				
0 PLC ± - 1 PLC ± - 2 PLC ± .02 [0.5] 3 PLC ± - 4 PLC ± - ANGLES ± -		PRODUCT SPEC C.C.THOMAS 4-27-90					
MATERIAL SEE CALLOUTS		FINISH SEE CALLOUTS	APPLICATION SPEC	SIZE A3	CAGE CODE 00779	DRAWING NO C-868313	RESTRICTED TO
CUSTOMER DRAWING			WEIGHT -	SCALE 2:1	SHEET 1 OF 1	REV E	