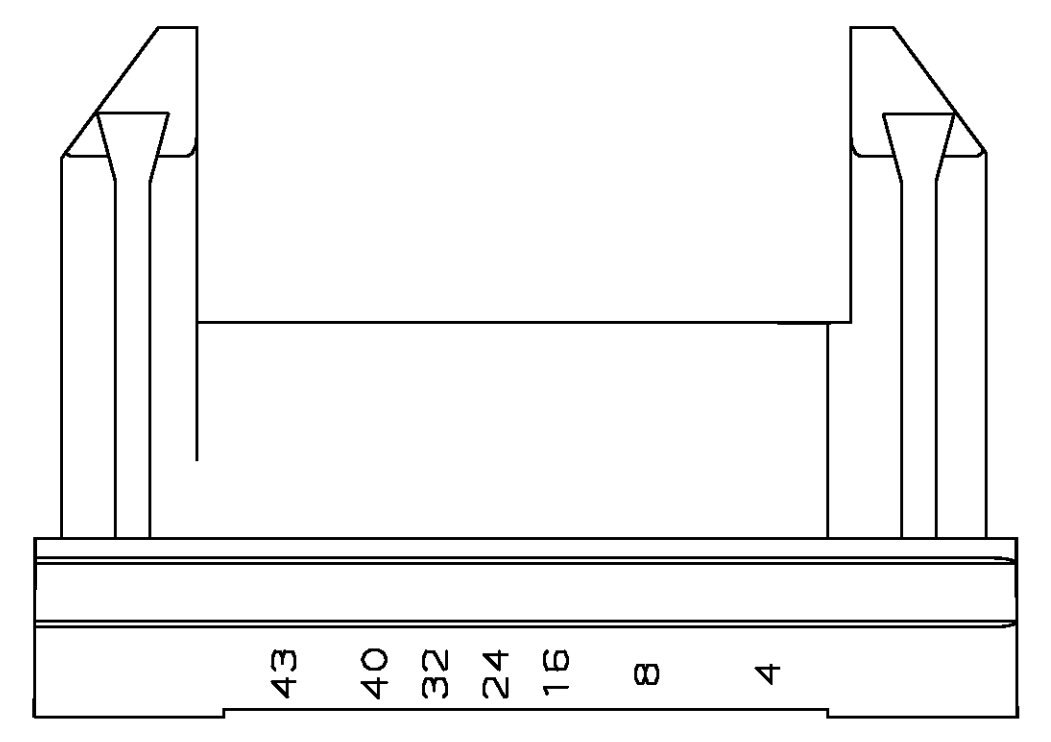
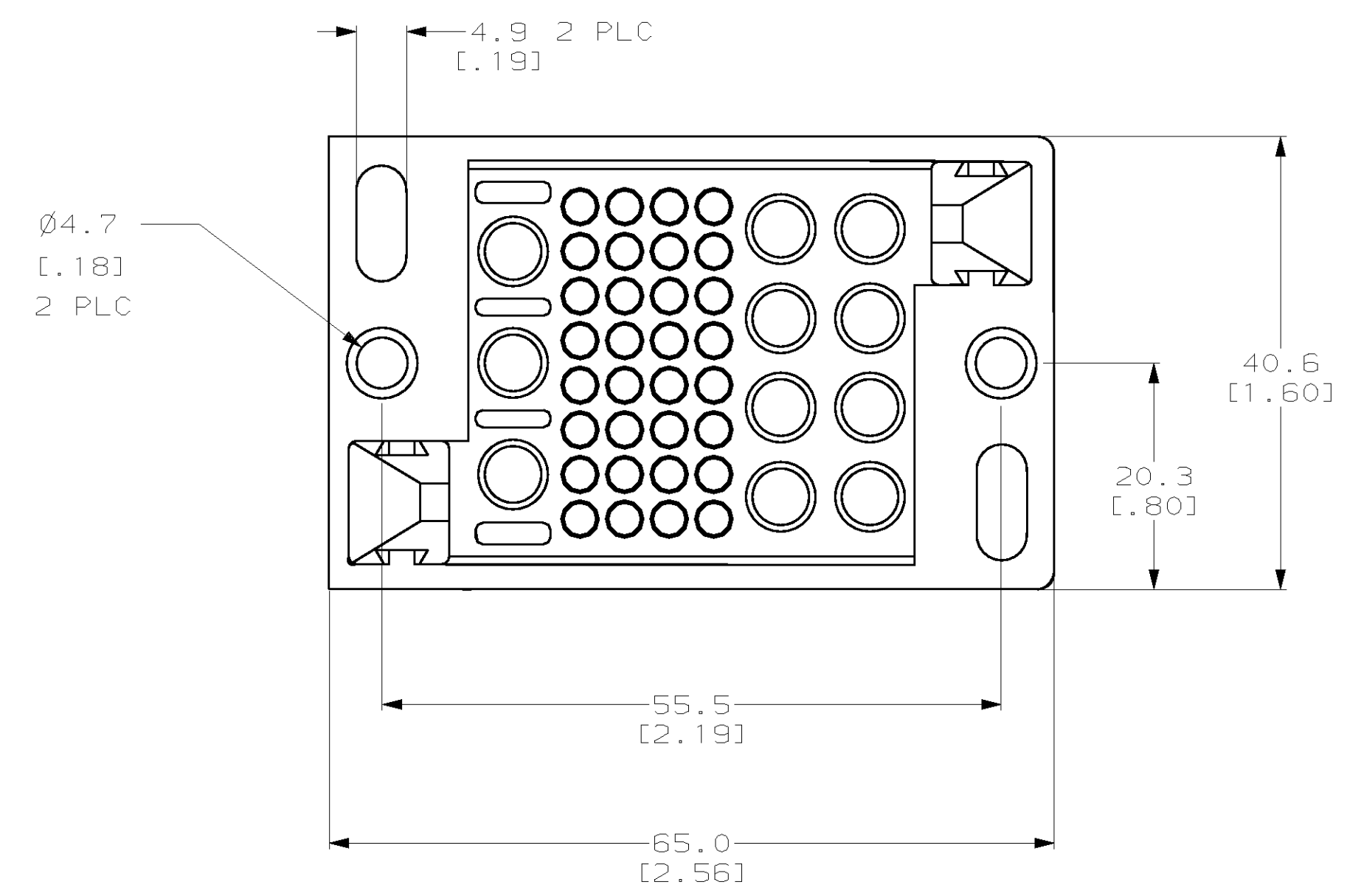
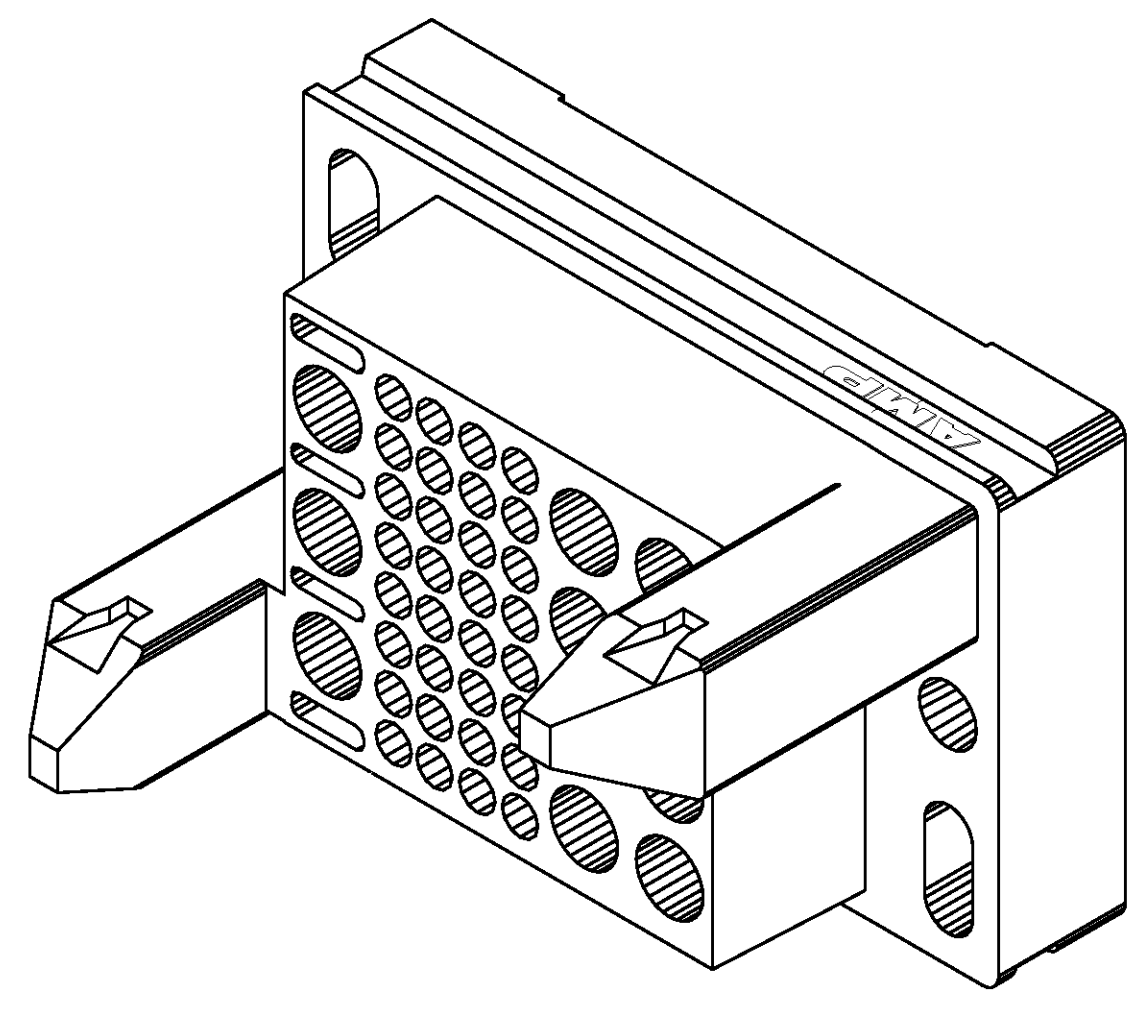
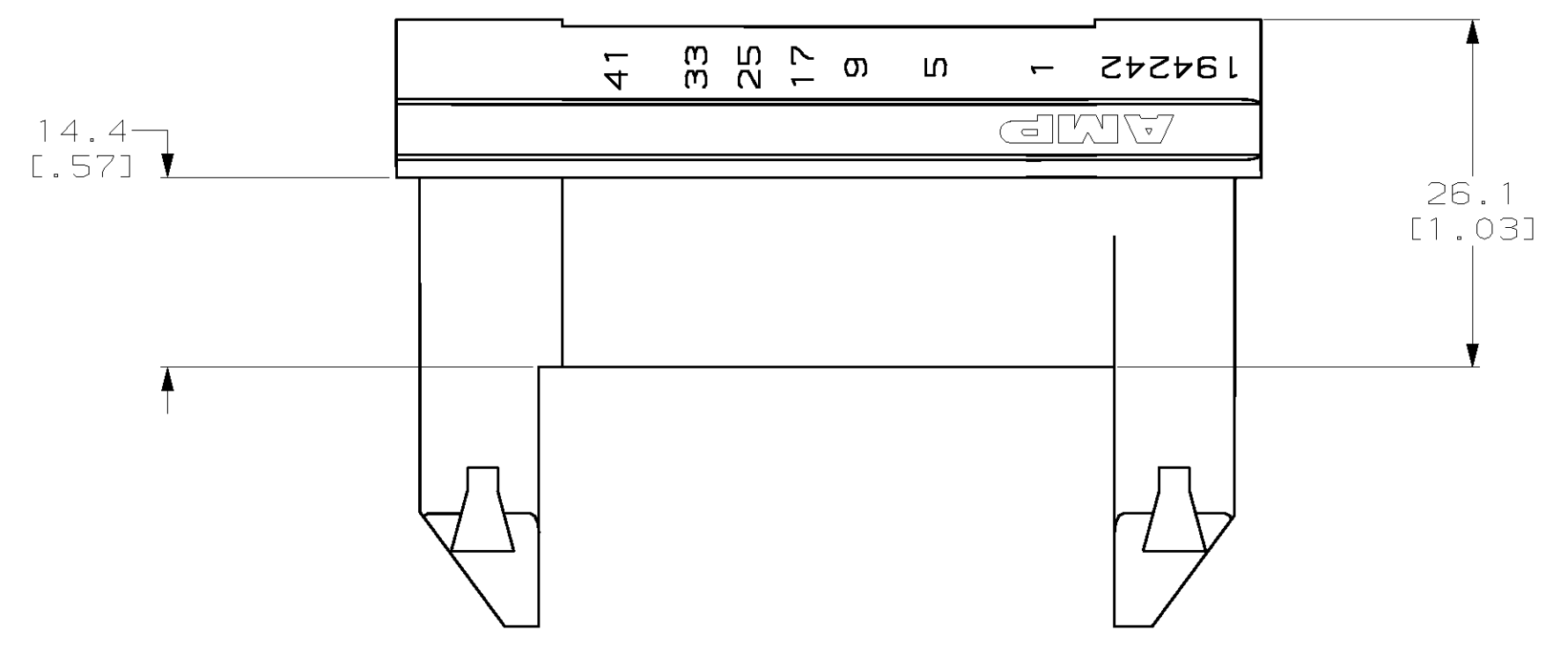


REVISONS		DATE	DWN	APVD
CH	11			
A	EC	0B20-0551-97	25/APR/97	RNP RAR
B	EC	0B20-0126-98	22/JAN/98	DAP RAR
C	EC	0B20-1216-98	09/SEP/98	RNP RAR

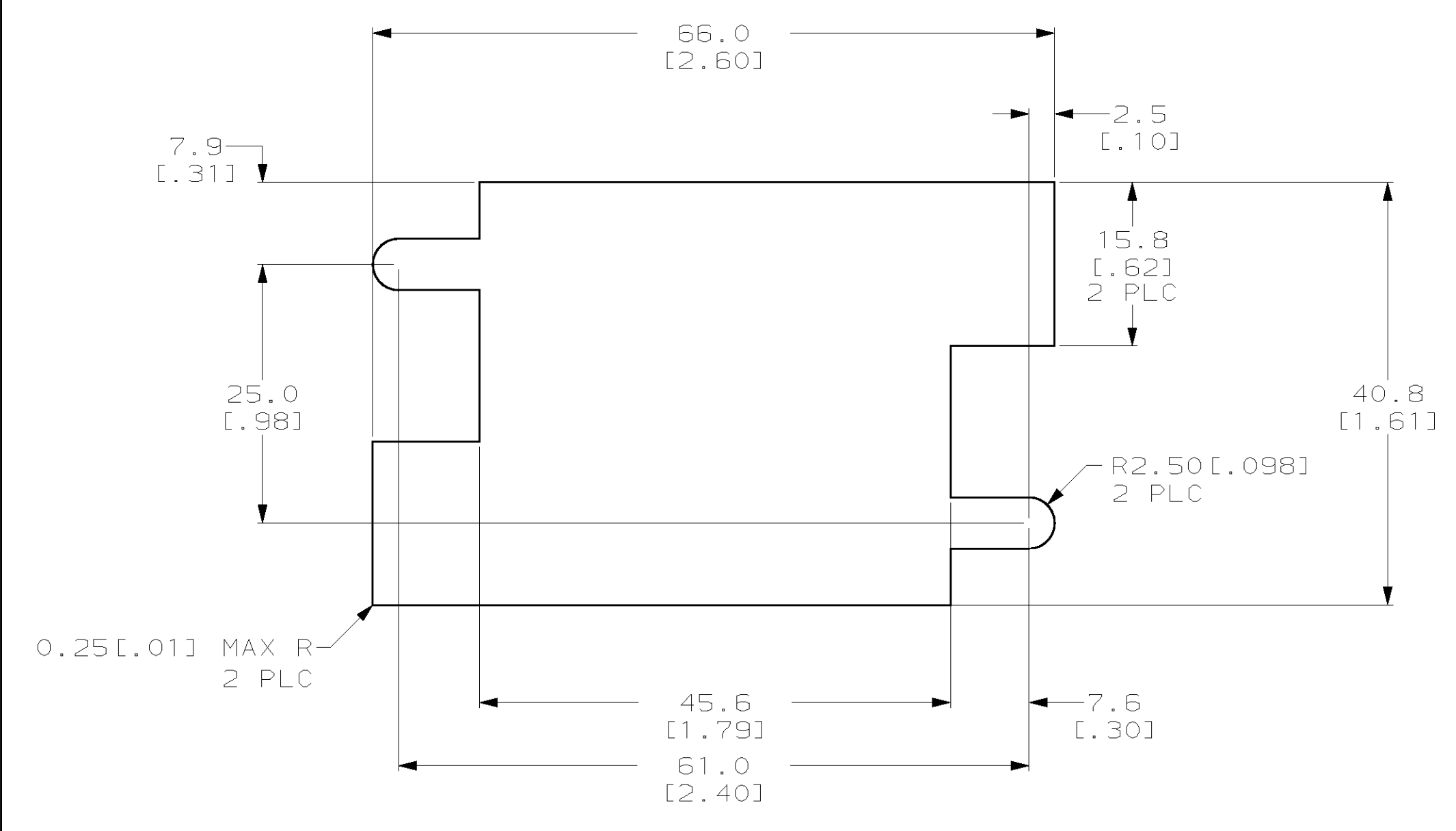
\* AMPPOWER is a trademark



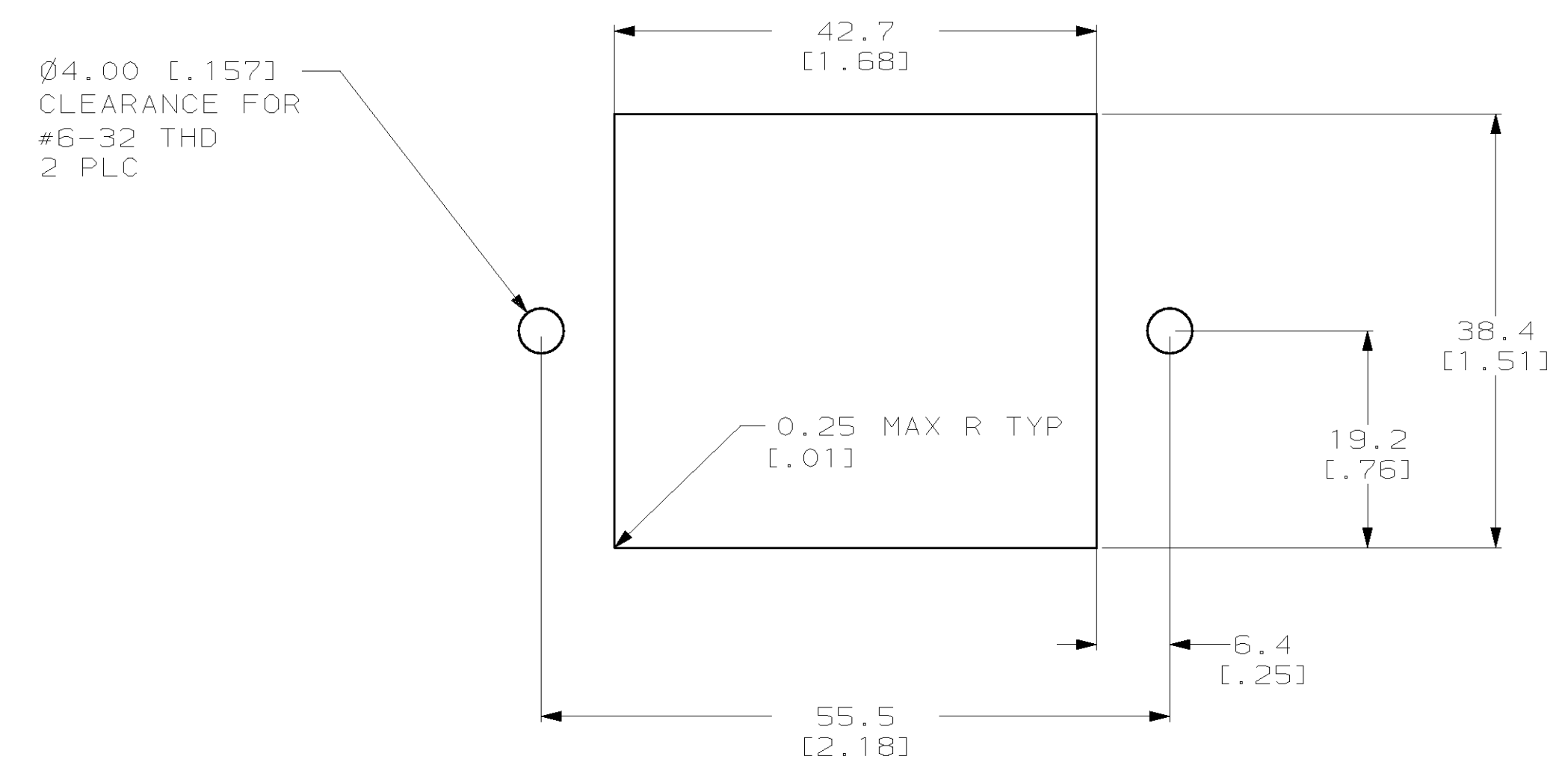
- POSITIONS 1-8 ARE FOR 3mm CONTACTS.
- POSITIONS 9-40 ARE FOR SIZE 16 CONTACTS.
- POSITIONS 41-43 ARE FOR 3mm CONTACTS.
- INSERTS ARE NOT REQUIRED WHEN FLOAT MOUNTING.
- ALL DIMENSIONS EXCEPT PANEL CUTOUTS ARE REFERENCE ONLY.

194242-1  
PART NO

<small>THIS DRAWING IS A CONTROLLED DOCUMENT AND IS UNPUBLISHED. IT IS SUBJECT TO CHANGE AND THE CONTROLLING ENGINEERING DEPARTMENT SHALL BE CONTACTED FOR THE LATEST REVISION.</small>		DWN: N POLK CHK: 25APR97 APVD: - PRODUCT SPEC: - APPLICATION SPEC: - HEIGHT: - CUSTOMER DRAWING: -	<b>AMP</b> AMP Incorporated Harrisburg, PA 17105-3608 <b>AMPPOWER* Multi Pin Plus HOUSING, PLUG 43 POSITION</b> SIZE: A1 CAGE CODE: 00779 DRAWING NO: 194242 SCALE: 2:1 SHEET 12 OF 1
DIMENSIONS: mm (in)	TOLERANCES UNLESS OTHERWISE SPECIFIED: Ø PLC ±.01 1 PLC ±.01 2 PLC ±.01 3 PLC ±.01 4 PLC ±.01 ANGLES ±.01 FINISH: -	DATE: - DRAWING NO: - SCALE: - SHEET: -	MATERIAL: POLYESTER PCT, BLACK



RECOMMENDED FLOAT MOUNT PANEL CUTOUT #7  
 EXTERNAL VIEW



RECOMMENDED STATIONARY MOUNT PANEL CUTOUT #6  
 EXTERNAL VIEW

THIS DRAWING IS A CONTROLLED DOCUMENT.		DWN	N POLK	25APR97
DIMENSIONS:		CHK	-	-
mm (in)		APVD	-	-
TOLERANCES UNLESS OTHERWISE SPECIFIED:		NAME	AMP Incorporated Harrisburg, PA 17105-3608	
0 PLC	±	PRODUCT SPEC	AMPOWER* Multi Pin Plus	
1 PLC	±0.2	APPLICATION SPEC	HOUSING, PLUG 43 POSITION	
2 PLC	±0.12(.01)	WEIGHT	SIZE	A1
3 PLC	±0.025(.005)	CAGE CODE	00779	C-194242
4 PLC	±	DRAWING NO	194242	
ANGLES	±	CUSTOMER DRAWING	SCALE	2/1
MATERIAL	FINISH	SHEET	2	2
		REV	C	