

TABLE 1			
AHSP P/N	LENGTH "A"	ACD P/N	DESCRIPTION
NDYYYYH-C102	2000±40MM	SF-NDYYYYH0002-002M	QSFP-DD 27AWG PASSIVE, 2M
NDYYYYH-C105	2500±50MM	SF-NDYYYYH0005-002.5M	QSFP-DD 27AWG PASSIVE, 2.5M

REVISIONS						
ZONE	REV.	ECN NUMBER	DESCRIPTION	BY	DATE	APPROVED
	B	MKHN-19060603	REVISED CABLE P/N.	HCL-SH	06/13/2019	M.HUSSAIN
	C	RGAO-20121604	ADDED ACD P/N COLUMN TO TABLE 1. ADDED CE STAMP TO SHEET 1.	N.ZENG	12/17/2020	A.LI
	D	RGAO-21020302	ADDED DESCRIPTION COLUMN TO TABLE 1.	N.ZENG	2/4/2021	A.LI

NOTE: ONLY THREE MOST RECENT RELEASED REVISIONS DISPLAYED

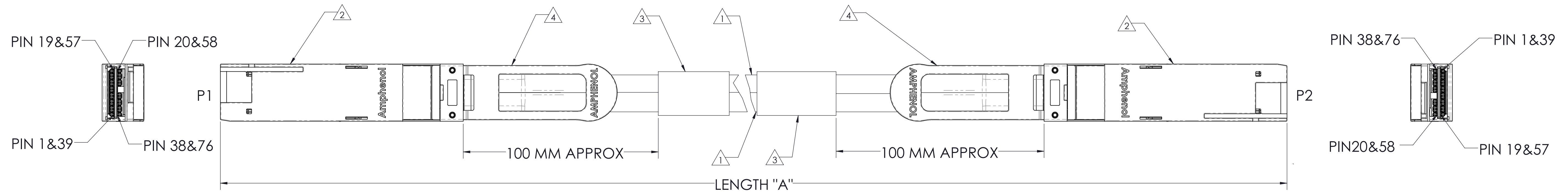
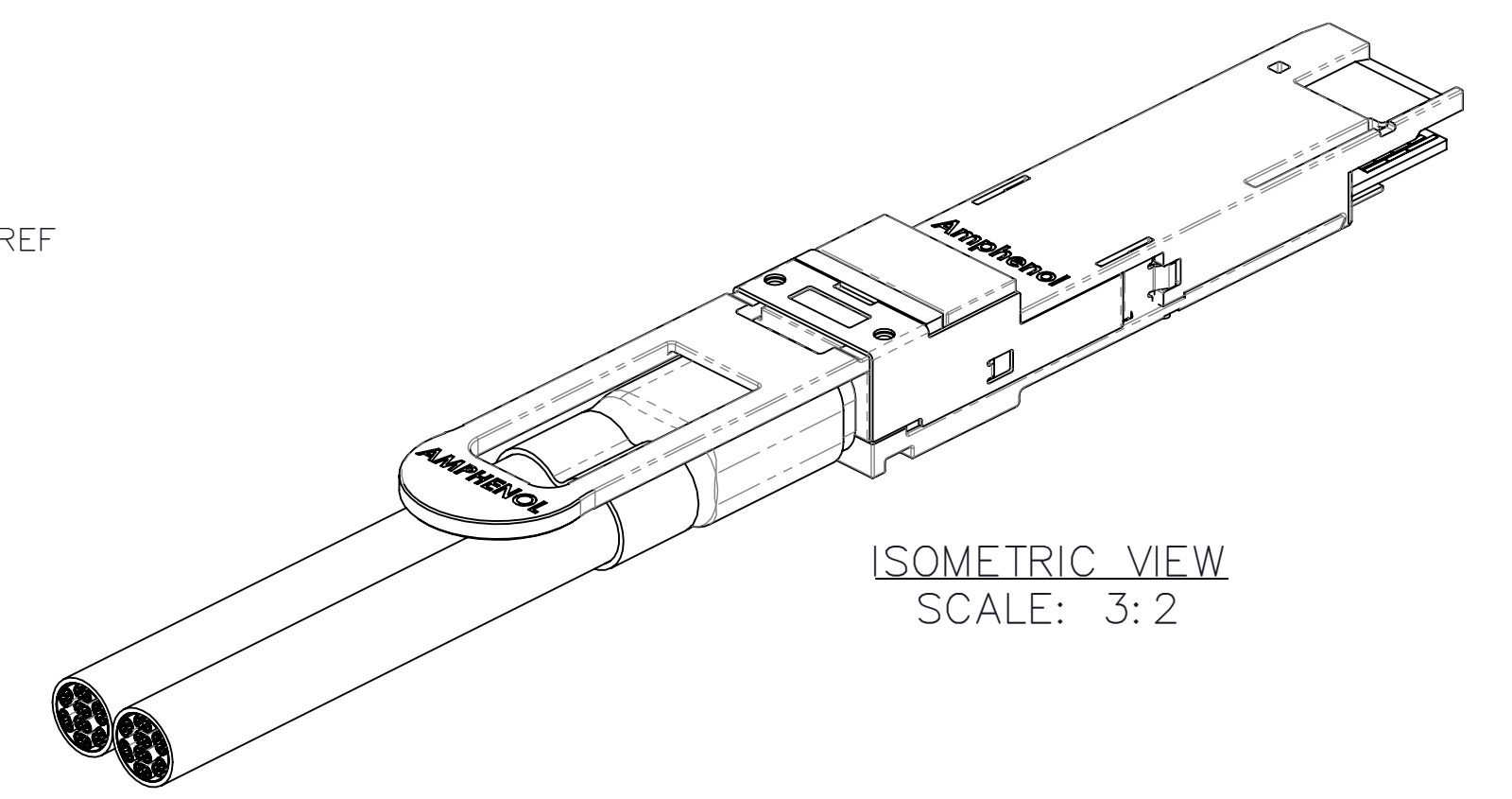
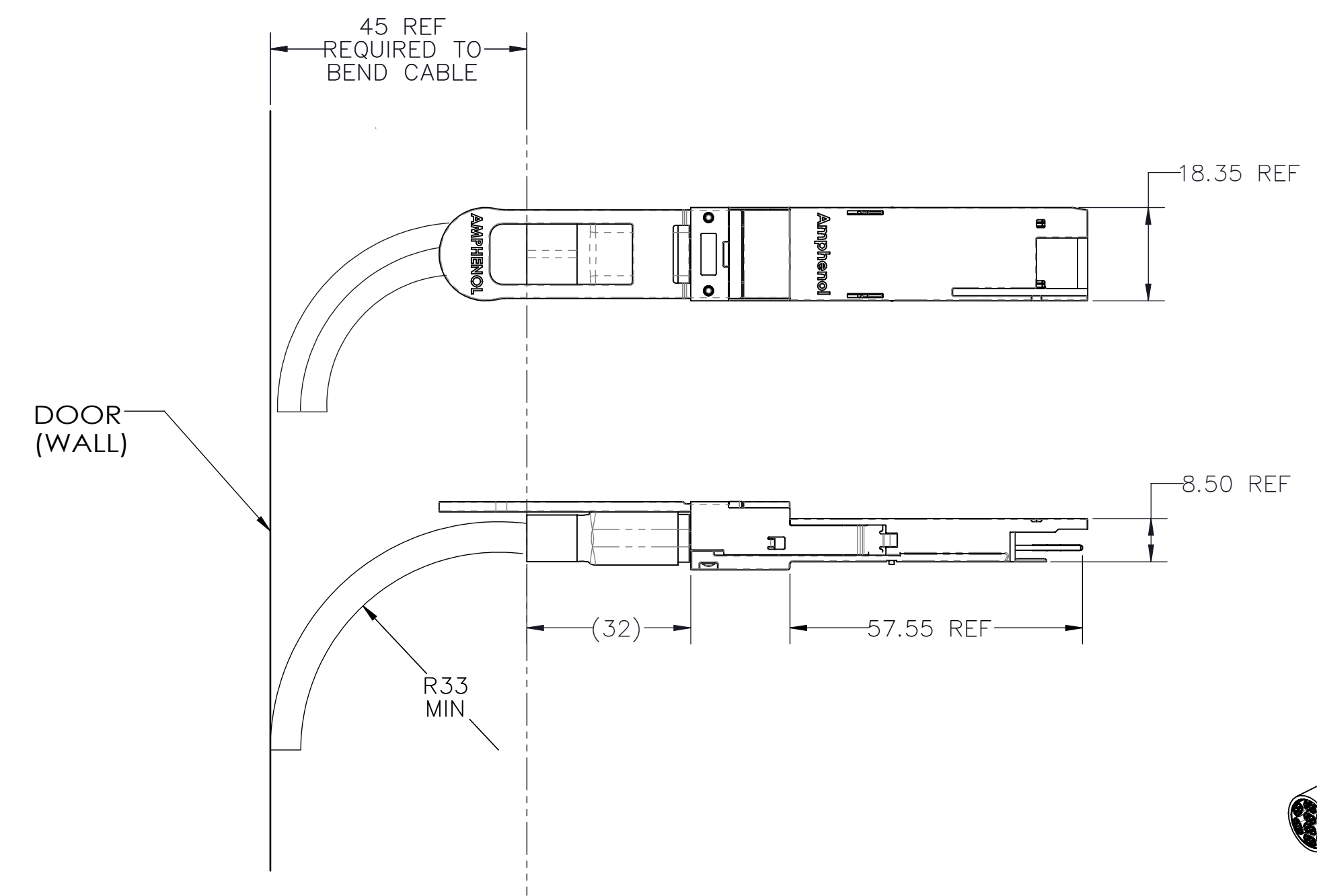
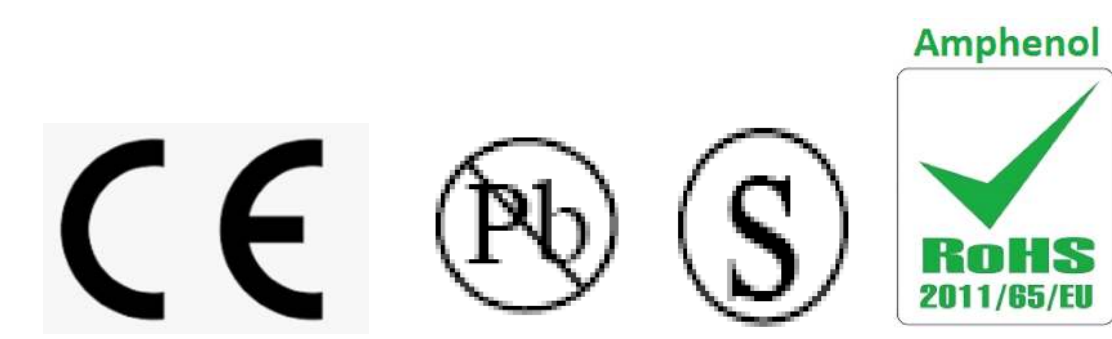


TABLE 2	
ITEM No.	DESCRIPTION
1	27 AWG, 8-PR, PVC JKT, AWM STYLE 20276 80°C
2	PLUG, QSFP-DD, REFERENCE "QSFP-DD MSA"
3	LABEL, WRAPPED - AHSP P/N, REV, DATE CODE, LENGTH, CoO, SERIAL NUMBER & WEEE LOGO AND CE LOGO
4	PULL TAB, BLUE 2718
5	EPROM - REFERENCE SFF-8636, PAGE A0 ONLY



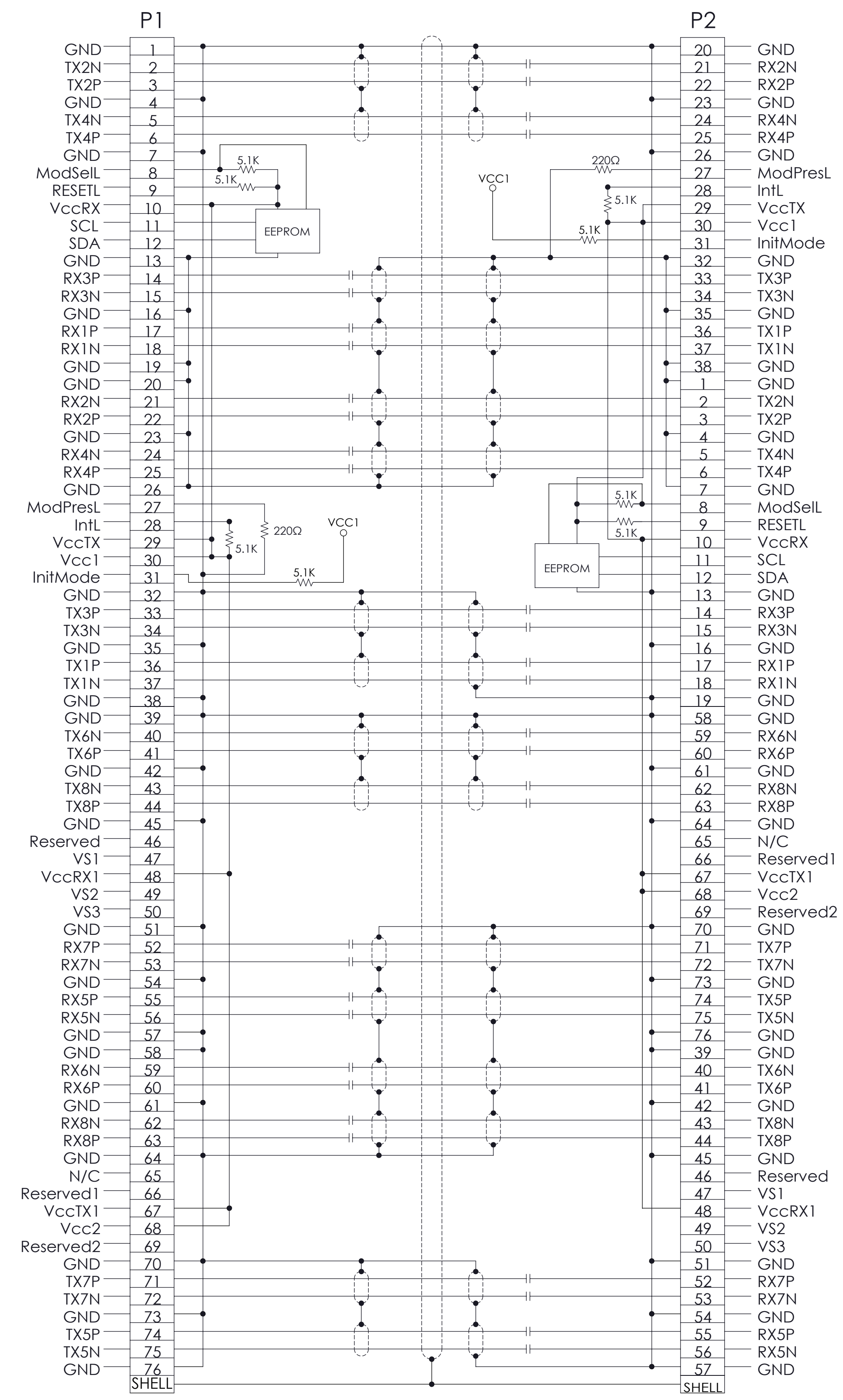
- NOTES:
- THIS DRAWING IS RESERVED FOR AMPHENOL CABLES ON DEMAND.
  - ASSEMBLIES SHALL BE COMPLIANT TO QSFP-DD MSA SPECIFICATION.
  - CABLE ASSEMBLIES, COMPONENTS AND SUB-COMPONENTS SHALL BE COMPLIANT TO EU DIRECTIVE 2011/65/EU-RoHS2.
  - CABLE ASSEMBLIES MUST MEET SHIELDING EFFECTIVENESS REQUIREMENTS OF 35DB MINIMUM FROM 1-10GHZ AND 30DB FROM 10-18 GHZ.
  - PACKAGE COMPLETED ASSY IN AN APPROPRIATELY SIZED ESD BAG.
  - UL LABEL MUST BE ON SHIPPING CARTON PER SUBJECT 764 OF THE UL COMPONENT WIRING HARNESS (ZPFW2) FILE #E86140. CSA LABEL MUST BE ON SHIPPING CARTON.

RADIUS FROM END OF DIECAST



TOLERANCES		DWG	12/14/2018	Amphenol AHSP	
0.0	± 0.1	CHK	M.HUSSAIN	A Division of Amphenol Corporation	
0.00	± 0.08		M.HUSSAIN	200 Innovative Way, Suite 201, Nashua, N.H. 03062 (603) 879-3000	
0.000	± -	APVD	M.HUSSAIN	TITLE	
ANGLES	± 1.0°		M.HUSSAIN	CABLE ASSY, QSFP-DD PASSIVE, 100Ω, DUAL-ENTRY 27 AWG	
UNLESS OTHERWISE SPECIFIED DIMENSIONS ARE IN MM				PART NO.	SEE TABLE 1
CUSTOMER USE DRAWING				REV	N/A
				DRAWING NO.	C-NDYYYYH-C199
SIZE	D	SCALE	2:1	SHEET	1 of 2

REVISIONS						
ZONE	REV.	ECN NUMBER	DESCRIPTION	BY	DATE	APPROVED
			SEE SHEET 1			



NOTE: DC BLOCKING CAP VALUE IS 100nF

TOLERANCES		DWN	12/14/2018	<b>Amphenol AHSP</b> A Division of Amphenol Corporation 200 Innovative Way, Suite 201, Nashua, N.H. 03062 (603) 879-3000
0.0	± 0.1	CHK	M.HUSSAIN	
0.00	± 0.08		M.HUSSAIN	
0.000	± -	APVD	M.HUSSAIN	
ANGLES	± 1.0°		M.HUSSAIN	
UNLESS OTHERWISE SPECIFIED DIMENSIONS ARE IN MM				TITLE <b>CABLE ASSY, QSFP-DD PASSIVE, 100Ω, DUAL-ENTRY 27 AWG</b>
INTERPRET PER ASME Y14.5		PART NO. SEE TABLE 1 REV N/A		
CODE IDENT 31413		DRAWING NO. C-NDYYYYH-C199 REV D		
SIZE D	SCALE 1:1	SHEET 2 of 2		