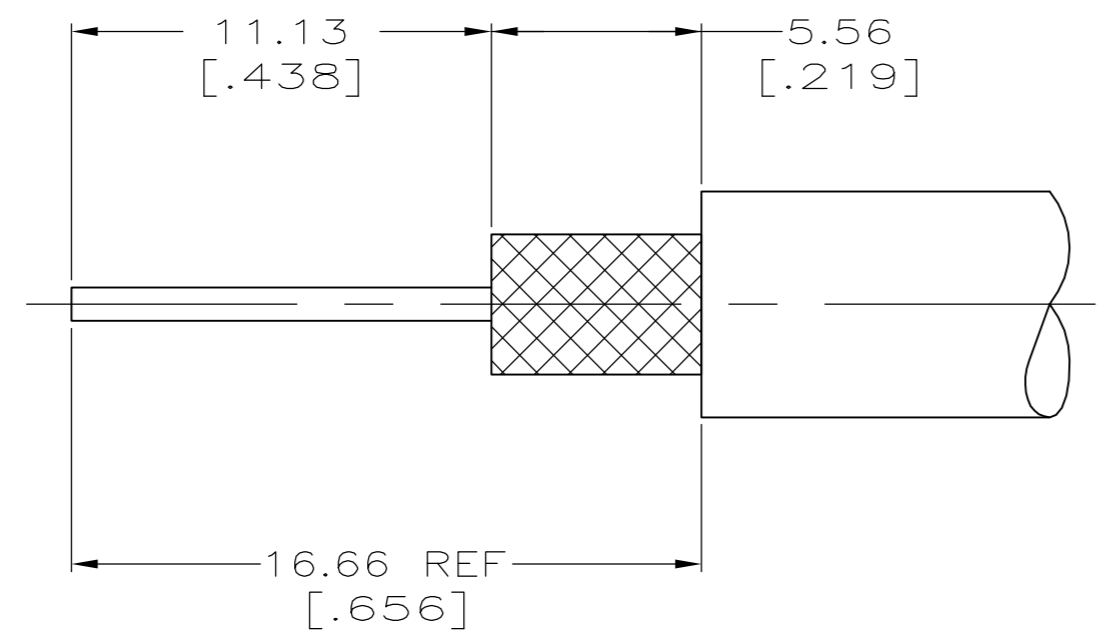


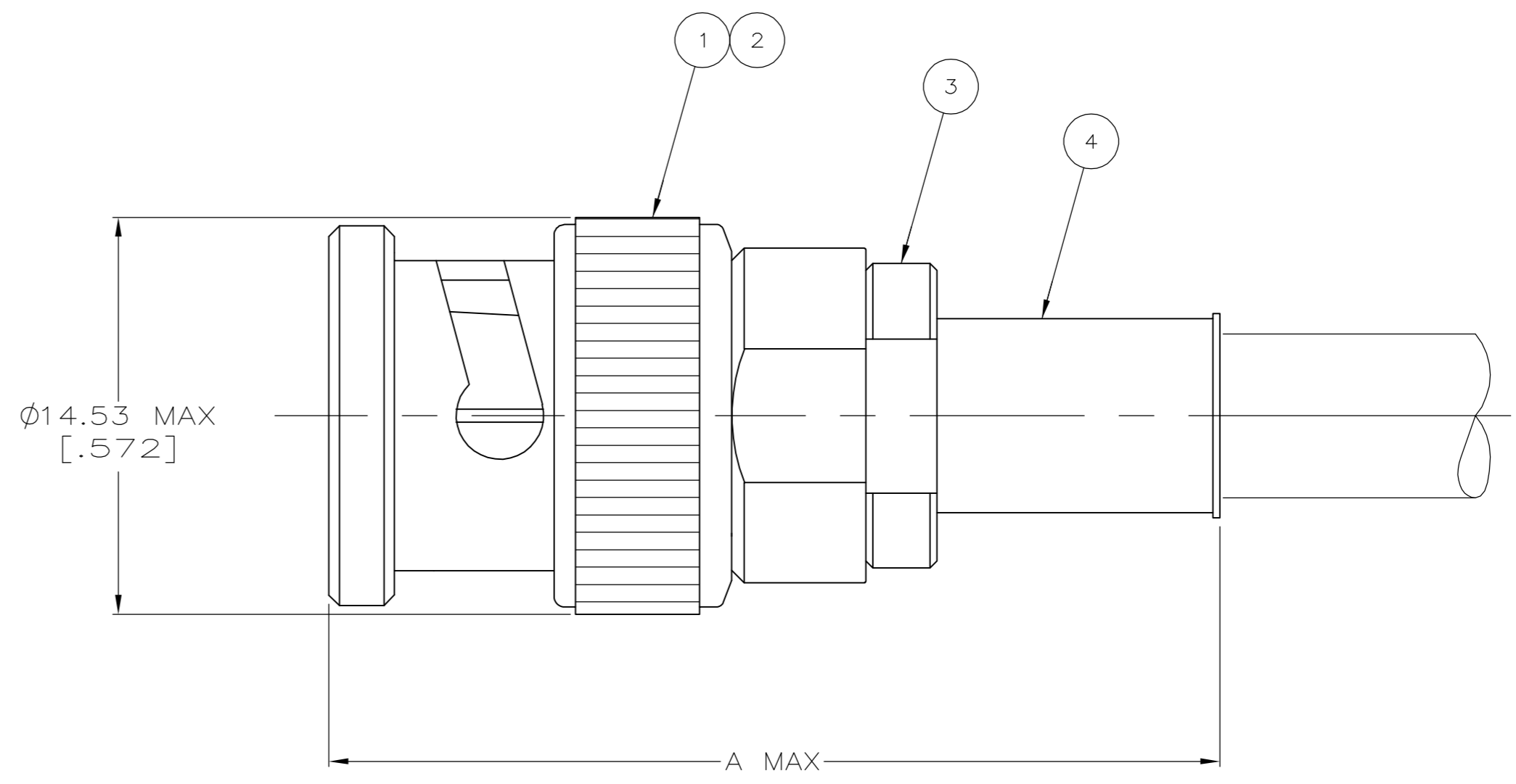
THIS DRAWING IS UNPUBLISHED. RELEASED FOR PUBLICATION
 © COPYRIGHT BY TYCO ELECTRONICS CORPORATION. ALL RIGHTS RESERVED.

Loc	DIST	REVISIONS			
P	LTR	DESCRIPTION	DATE	DWN	APVD
AJ	16	0	REV PER EC-0S14-0496-04	03FEB2005	AF JL

1. CRIMP TOOL: 69141-1
2. \triangle RG-59/U,59A/U,59B/U,62/U,62A/U,62B/U,124/U,140/U AND 210/U
3. SEE I.S. 1799-1



RECOMMENDED STRIP LENGTH



34.93 [1.375]	\triangle	.416 OZ	9-329041-0	9-50780-6	2-329106-1	9-329327-1	2-5329083-1
A	CABLE	WEIGHT	4 FERRULE QTY=1	3 CRIMP END ASSEMBLY QTY=1	2 GASKET QTY=1	1 PLUG ASSEMBLY QTY=1	PART NUMBER

THIS DRAWING IS A CONTROLLED DOCUMENT.

DWN	A. FERNANDEZ	03FEB2005	 Tyco Electronics Corporation Harrisburg, PA 17105-3608
CHK	J. HAVENER	03FEB2005	
APVD	J. LIPPERT	03FEB2005	
NAME			
DIMENSIONS:	TOLERANCES UNLESS OTHERWISE SPECIFIED:		PLUG, SERIES BNC
MM [INCHES]	0 PLC ± - 1 PLC ± - 2 PLC ± 0.41 [.016] 3 PLC ± - 4 PLC ± - ANGLES ± - FINISH -		
MATERIAL	FINISH		SIZE A2 CAGE CODE 00779 DRAWING NO C=5329083 RESTRICTED TO -
CUSTOMER DRAWING			SCALE 5:1 SHEET 1 OF 1 REV 0