

PRODUCT DESCRIPTION CODE :

10145204-1XXK LF

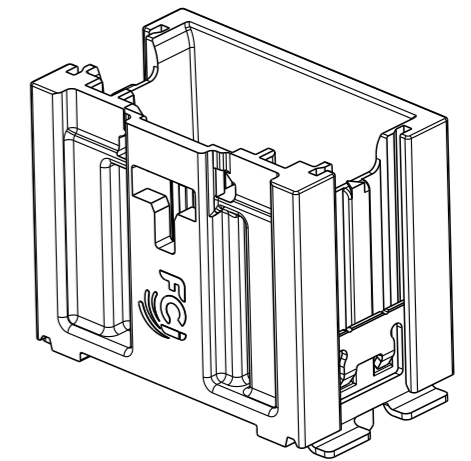
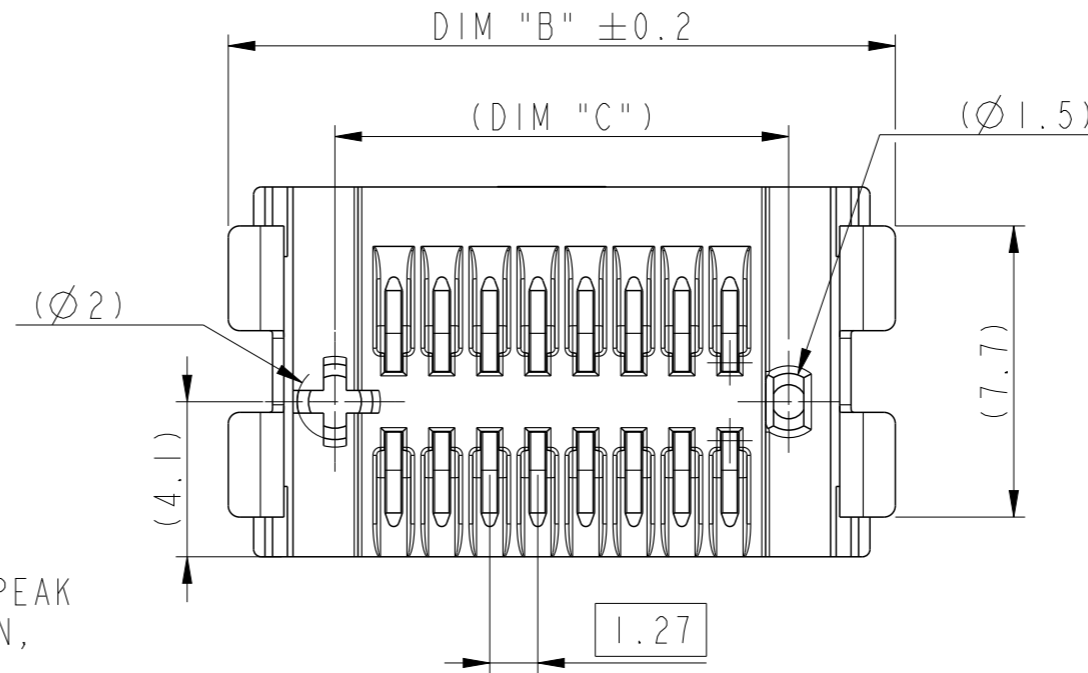
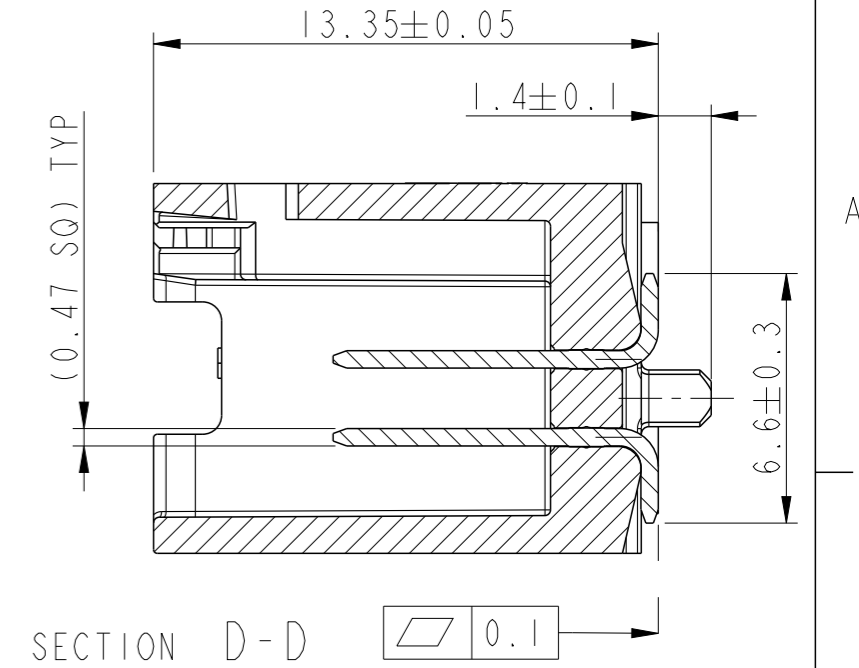
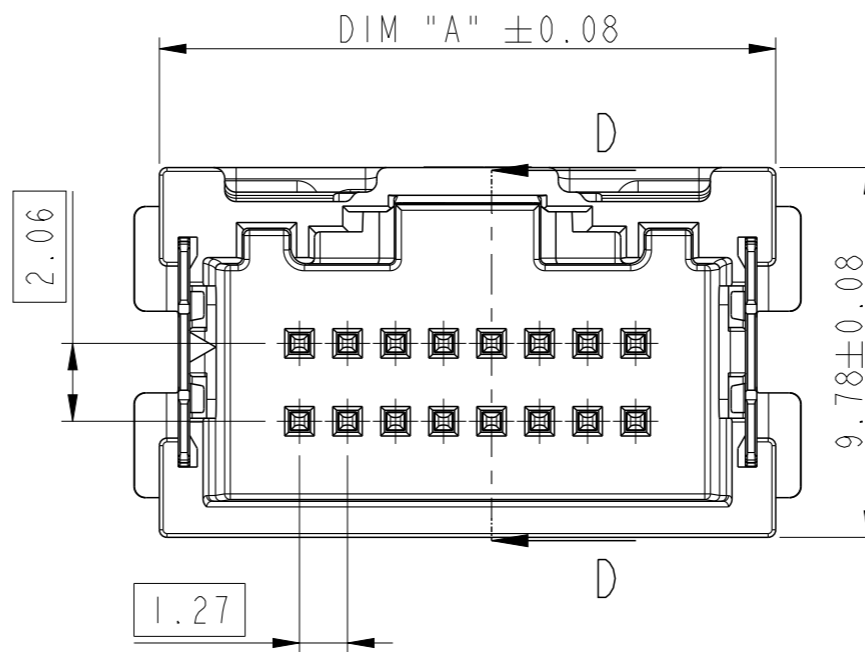
RoHS COMPATIBLE, SEE NOTE 3

FOR CUSTOMER CODE :  
BLANK = GENERAL USE

PACKAGING :  
K = TAPE & REEL

NUMBER OF POSITIONS : 14 TO 30

PLATING :  
1 = 3µm MIN MATTE TIN (PREPLATED)  
2 = 3µm MIN MATTE TIN (POST-PLATED)  
3 = 0.76µm MIN GOLD (CONTACT AREA)  
ALL OVER 1.27µm MIN NICKEL UNDERLAYER



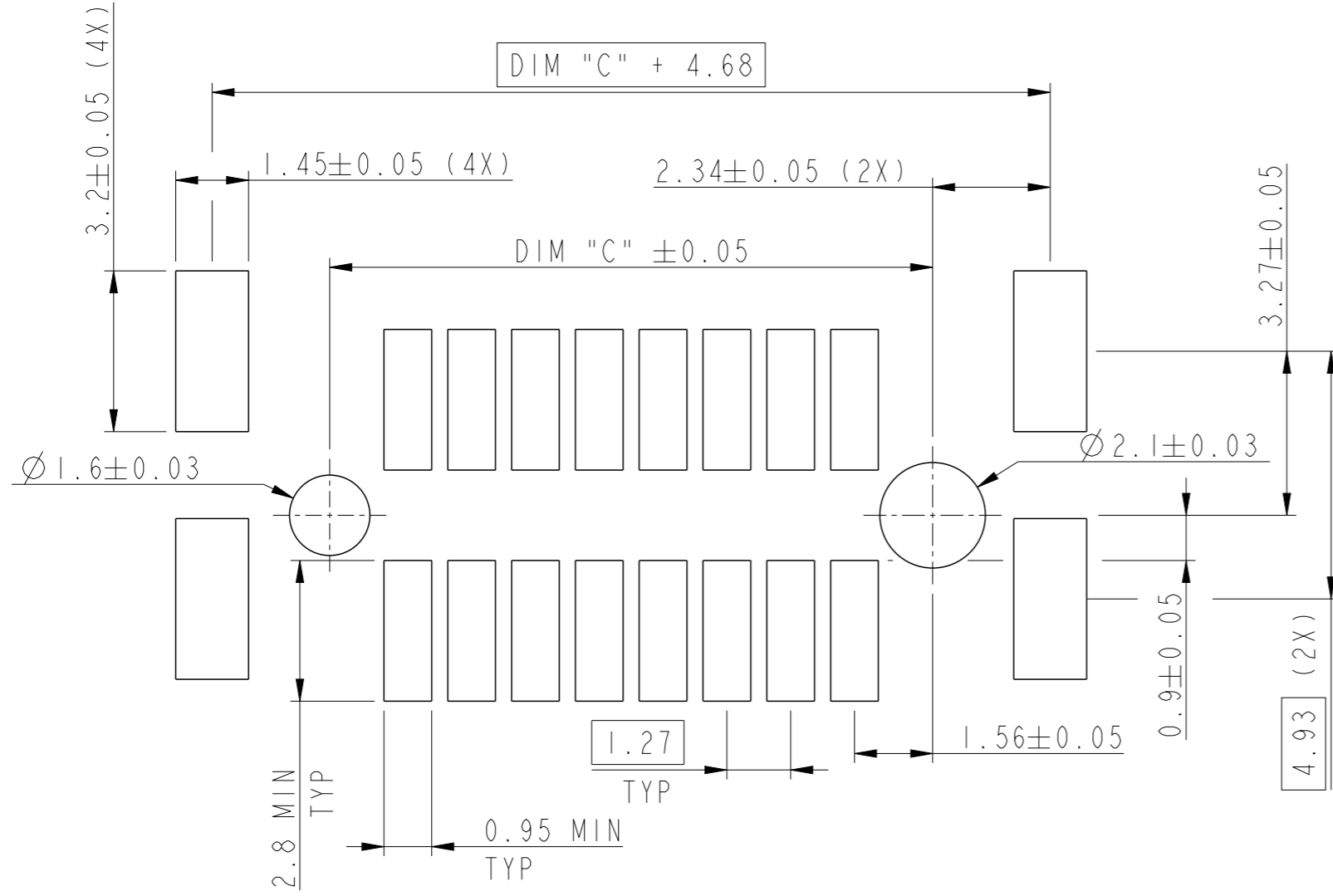
SCALE 3:1

NOTES:

- 1 - MATERIAL:  
HOUSING : HIGH TEMPERATURE THERMOPLASTIC  
COLOR BLACK UL94 V-0  
PIN : HIGH CURRENT COPPER ALLOY
- 2 - TO BE MATED WITH MINITEK µSPACE RECEPTACLE SERIES 10145028
- 3 - RoHS COMPATIBLE PRODUCT SPECIFICATIONS
  - a - PLATING:  
"LF" MEANS THE PRODUCT IS LEAD FREE,  
3µm MINIMUM MATTE TIN OVER 1.27µm MINIMUM NICKEL UNDERPLATE.
  - b - MANUFACTURING PROCESS COMPATIBILITY:  
THE HOUSING WILL WITHSTAND EXPOSURE TO 260°C PEAK TEMPERATURE FOR 30 SECONDS MAX IN A CONVECTION, INFRA-RED OR VAPOR PHASE OR REFLOW OVEN.
  - c - LABELLING :  
MEETS PACKAGING SPECS AS PER GS-14-920
  - d - LEGAL STATEMENT :  
SEE GS-47-0004.

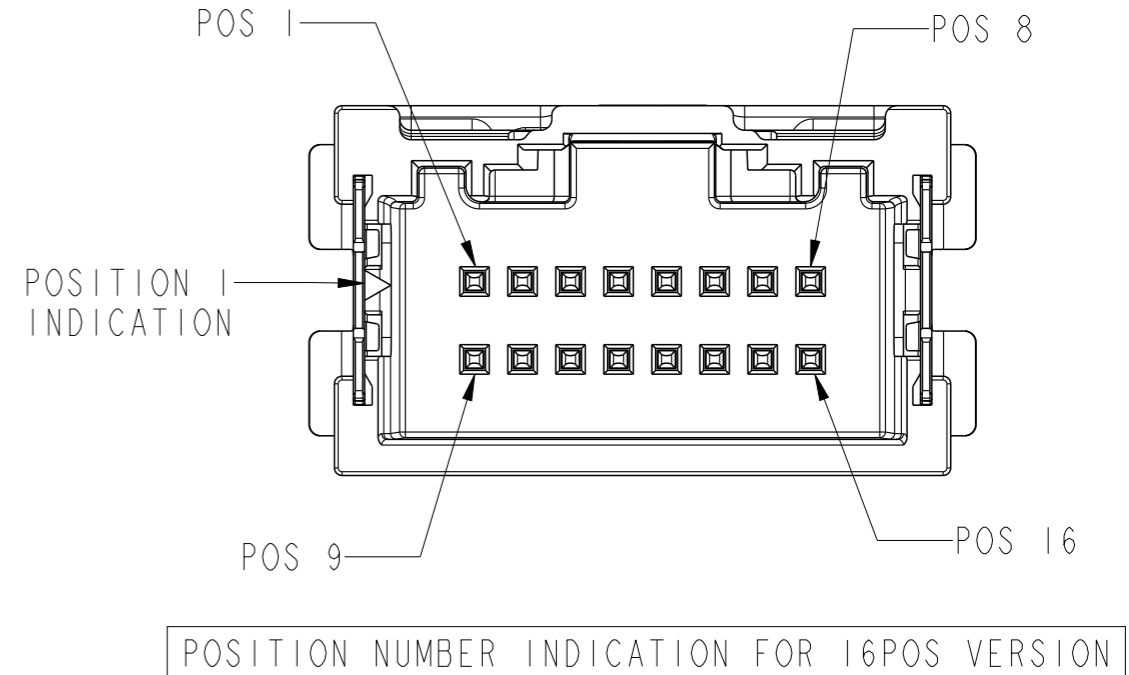
|                                       |                     |                     |                |  |                |          |           |                        |              |     |   |
|---------------------------------------|---------------------|---------------------|----------------|--|----------------|----------|-----------|------------------------|--------------|-----|---|
| spec ref                              | -                   | dr                  | Sawanth, Ambaa | 2018/10/31   | projection     | mm       | size      | A3                     | scale        | 5:1 |   |
| tolerance std                         | ISO 406<br>ISO 1101 | eng                 | Cyril Jeune    | 2019/07/23   |                |          | ecn no    | ELX-F-34300-1          |              |     |   |
| TOLERANCES UNLESS OTHERWISE SPECIFIED |                     | chr                 | Hyppias, Arnau | 2019/07/24   |                |          | rel level | Released               |              |     |   |
| surface                               | linear              | appr                | Beatrice Vial  | 2019/07/24   | product family | -        | dwg no    | 10145204               |              | rev | B |
| ISO 1302                              | angular             | <b>Amphenol FCI</b> |                | HEADER ASSEMBLY<br>MINITEK µSPACE VERT DR 1.27 TOP LATCH |                | cat. no. | -         | Product - Customer Drw | sheet 1 of 2 |     |   |

| PART NO.        | NO. OF POSN | DIM "A" | DIM "B" | DIM "C" |
|-----------------|-------------|---------|---------|---------|
| 10145204-114KLF | 14          | 15.03   | 16.37   | 10.73   |
| 10145204-116KLF | 16          | 16.30   | 17.64   | 12.00   |
| 10145204-118KLF | 18          | 17.57   | 18.91   | 13.27   |
| 10145204-120KLF | 20          | 18.84   | 20.18   | 14.54   |
| 10145204-122KLF | 22          | 20.11   | 21.45   | 15.81   |
| 10145204-124KLF | 24          | 21.38   | 22.72   | 17.08   |
| 10145204-126KLF | 26          | 22.65   | 23.99   | 18.35   |
| 10145204-128KLF | 28          | 23.92   | 25.26   | 19.62   |
| 10145204-130KLF | 30          | 25.19   | 26.53   | 20.89   |



RECOMMENDED PCB LAYOUT

SCALE 8:1



|                                       |                     |      |                |                         |                                       |    |                    |               |                        |              |
|---------------------------------------|---------------------|------|----------------|-------------------------|---------------------------------------|----|--------------------|---------------|------------------------|--------------|
| spec ref                              | -                   | dr   | Sawanth, Ambaa | 2018/10/31              | projection                            | mm | size               | A3            | scale                  | 5:1          |
| tolerance std                         | ISO 406<br>ISO 1101 | eng  | Cyril Jeune    | 2019/07/23              |                                       |    | ecn no             | ELX-F-34300-1 | rel level              | Released     |
| TOLERANCES UNLESS OTHERWISE SPECIFIED |                     | chr  | Hyppias, Arnau | 2019/07/24              |                                       |    |                    |               |                        |              |
| surface                               | linear              | 0.X  | ±0.3           | <b>Amphenol<br/>FCi</b> | TITLE<br>HEADER ASSEMBLY              |    | dwg no<br>10145204 | rev<br>B      |                        |              |
|                                       |                     | 0.XX | ±0.10          |                         | MINITEK μSPACE VERT DR 1.27 TOP LATCH |    |                    |               |                        |              |
|                                       | angular             | 0°   | ±2°            |                         | cat. no.                              | -  |                    |               | Product - Customer Drw | sheet 2 of 2 |