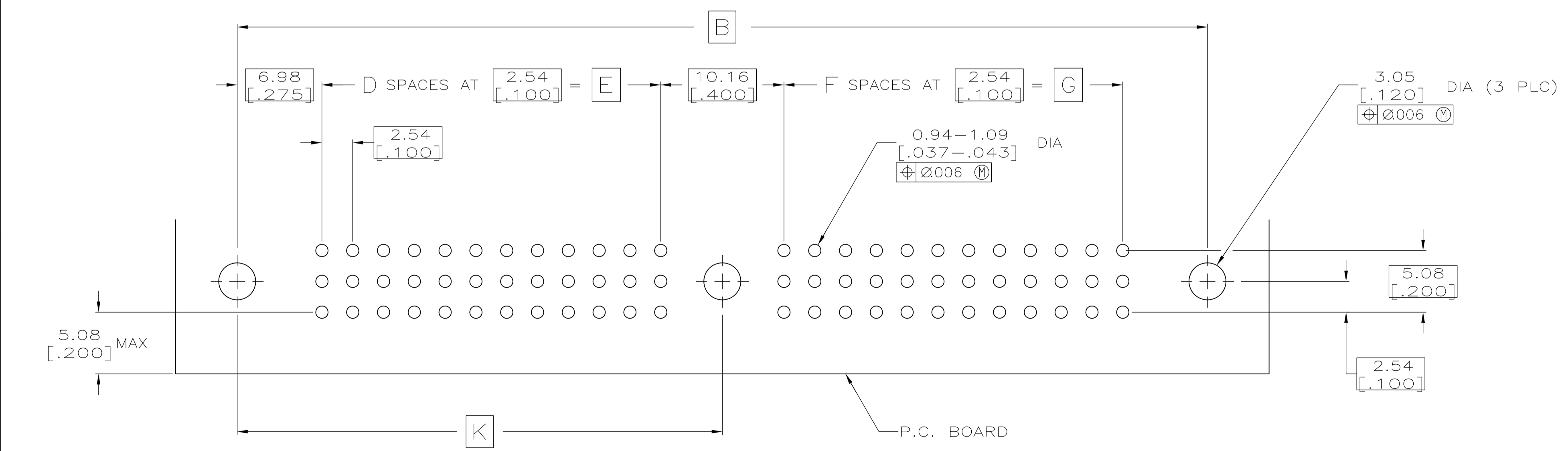
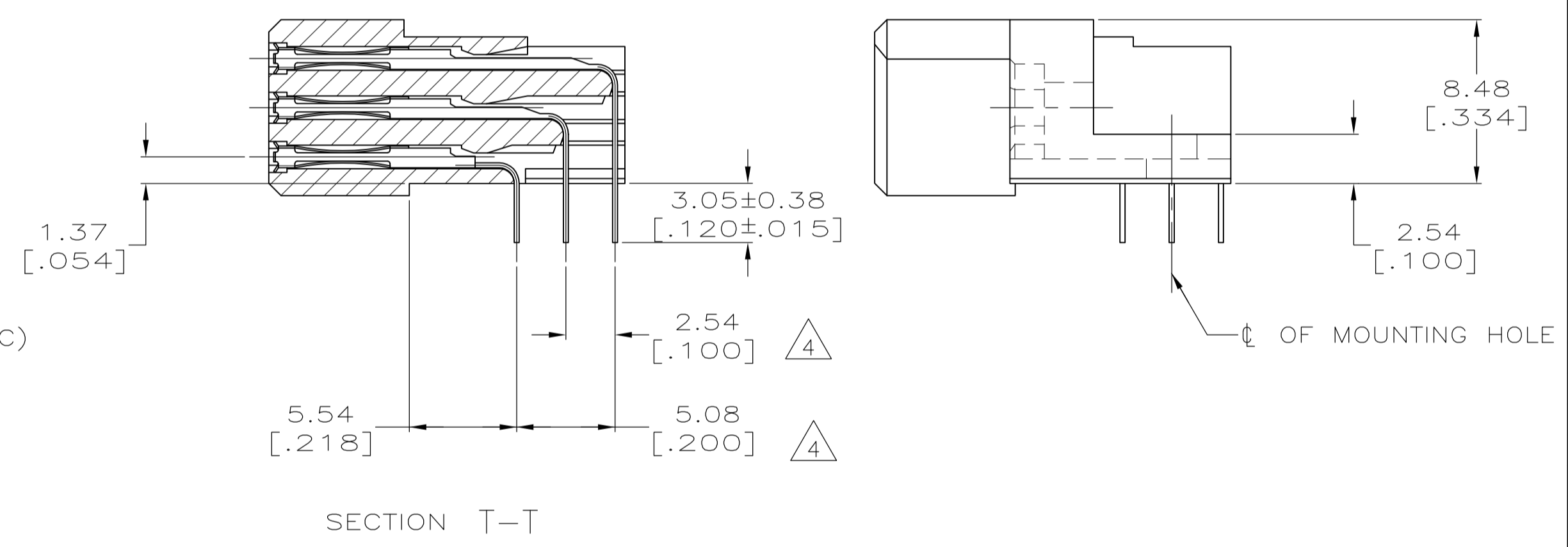
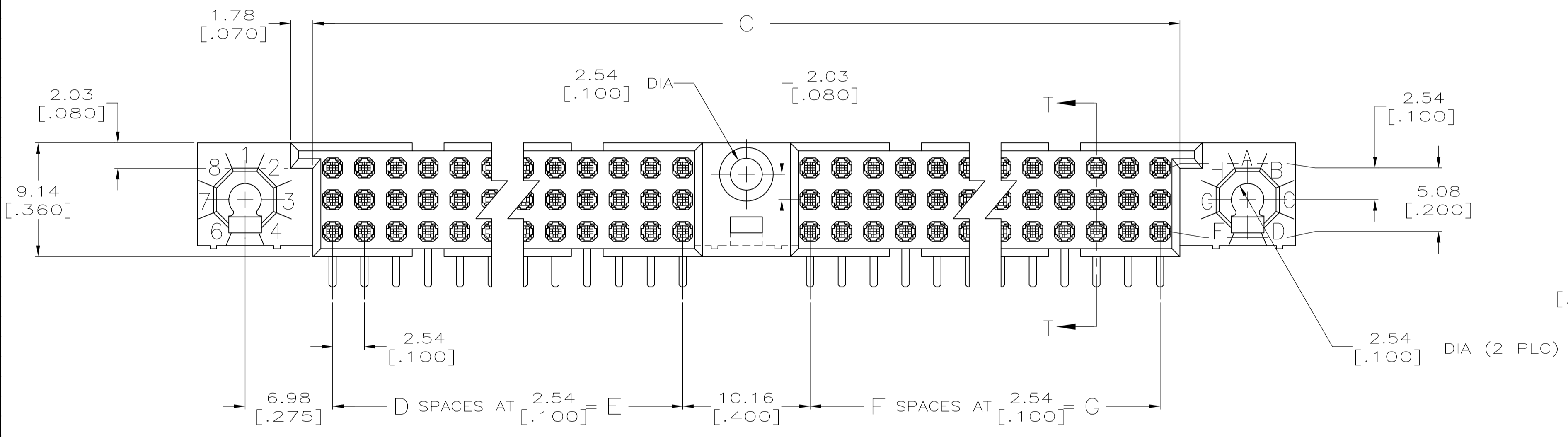
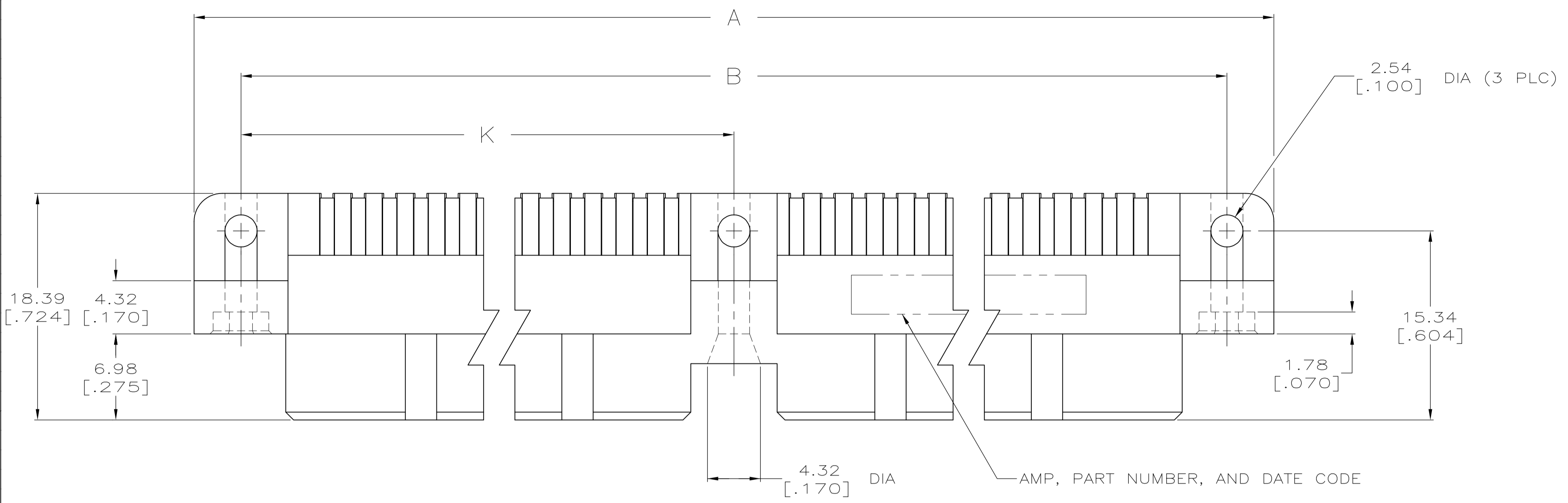


REVISIONS					
P	LTR	DESCRIPTION	DATE	DMN	APVD
G		REVISED PER ECO-15-015252	13NOV15	BJ	FY



RECOMMENDED P.C. BOARD LAYOUT

THIS DRAWING IS A CONTROLLED DOCUMENT.		DIN: R.K. SEIFRIED 06/20/90	TE Connectivity
		CHK: G. SKIPPER 06/20/90	
DIMENSIONS:	TOLERANCES UNLESS OTHERWISE SPECIFIED:	APVD: -	NAME: -
mm [INCHES]	0 PLC ± -	PRODUCT SPEC: -	PRODUCT SPEC: HDI, 3 ROW, RECEPTACLE ASSEMBLY, 1 GUIDE PIN, 3 MOUNTING HOLES, 3.05[.120] LONG SOLDER TAILS
	1 PLC ± -	APPLICATION SPEC: -	SIZE: A1
	2 PLC ± -	APPLICATION SPEC: -	CAGE CODE: 00779
	3 PLC ± 0.13 [0.005]	WEIGHT: -	DRAWING NO: 533514
	4 PLC ± -	RESTRICTED TO: -	SCALE: 4:1
MATERIAL:	FINISH:	CUSTOMER DRAWING	SHEET 1 OF 2

REVISIONS				
P	LTR	DESCRIPTION	DATE	APPV
-		SEE SHEET 1	-	-

- ① HOUSING MATERIAL: THERMOPLASTIC, COLOR-NATURAL.
- ② CONTACT MATERIAL: COPPER ALLOY.
- ③ FINISH:
MATING AREA: MEETS THE PERFORMANCE REQUIREMENTS OF PRODUCT SPECIFICATION 108-9063; BASED ON TELCORDIA DR-1217-CORE APPLICATIONS IN UNCONTROLLED ENVIRONMENTS.
SOLDER TAILS AREA: TIN-LEAD PLATED.
- ④ SOLDER TAILS MUST FIT HOLE PATTERN AS SHOWN ON THE RECOMMENDED P.C. BOARD LAYOUT.
- ⑤ PART NUMBER IS OBSOLETE.

⑤	113.66 [4.475]	101.60 [4.000]	-40-	101.60 [4.000]	-40-	216.51 [8.524]	227.33 [8.950]	234.95 [9.250]	246-	533514-9
⑤	-----	-----	---	-----	---	-----	-----	-----	---	533514-8
⑤	-----	-----	---	-----	---	-----	-----	-----	---	533514-7
	149.22 [5.875]	137.16 [5.400]	54	137.16 [5.400]	54	287.63 [11.324]	298.45 [11.750]	306.07 [12.050]	330	533514-6
⑤	141.60 [5.575]	129.54 [5.100]	-51-	129.54 [5.100]	-51-	272.39 [10.724]	283.21 [11.150]	290.83 [11.450]	312-	533514-5
⑤	133.98 [5.275]	121.92 [4.800]	-48-	121.92 [4.800]	-48-	257.15 [10.124]	267.97 [10.550]	275.59 [10.850]	294-	533514-4
	126.36 [4.975]	114.30 [4.500]	45	114.30 [4.500]	45	241.91 [9.524]	252.73 [9.950]	260.35 [10.250]	276	533514-3
⑤	-----	-----	---	-----	---	-----	-----	-----	---	533514-2
	111.12 [4.375]	99.06 [3.900]	39	99.06 [3.900]	39	211.43 [8.324]	222.25 [8.750]	229.87 [9.050]	240	533514-1
	K	G	F	E	D	C	B	A	POSN	PART NUMBER

THIS DRAWING IS A CONTROLLED DOCUMENT.

DIMENSIONS: mm [INCHES]	TOLERANCES UNLESS OTHERWISE SPECIFIED:	DIN R. K. SEIFRIED 06/20/90 CHK G. SKIPPER 06/20/90 APPV	NAME STE TE Connectivity
0 PLC ± - 1 PLC ± - 2 PLC ± - 3 PLC ± 0.13 [.005] 4 PLC ± - ANGLES ± -	FINISH ③	PRODUCT SPEC APPLICATION SPEC	RESTRICTED TO
MATERIAL ①②	WEIGHT -	SIZE A1	CAGE CODE 00779
CUSTOMER DRAWING		DRAWING NO. 533514	SCALE 4:1
		SHEET 2	OF 2
		REV G	