

MICRO SWITCH

FREERPORT ILLINOIS U S A
A DIVISION OF HONEYWELL

FED. MFG CODE 91929

MOUNTING BARRIERS

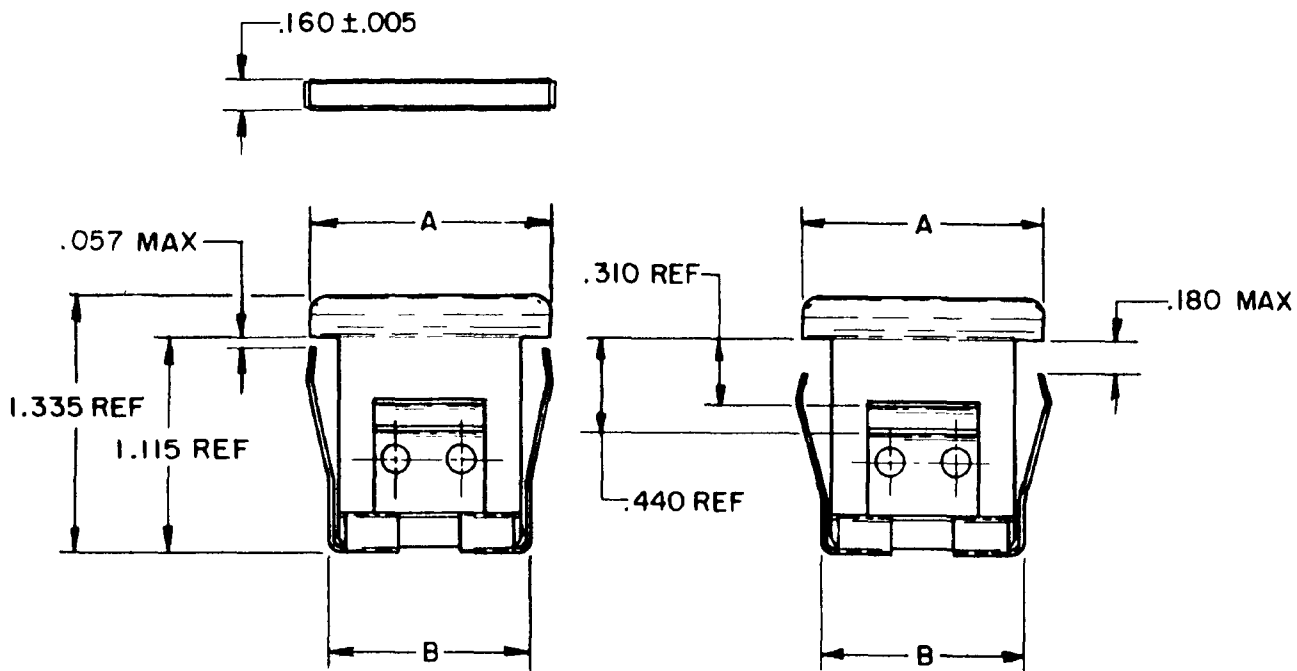
CATALOG LISTING

2B SERIES CHART 1

THIS DRAWING COVERS A PROPRIETARY ITEM AND IS THE PROPERTY OF MICRO SWITCH. A DIVISION OF HONEYWELL THIS DRAWING IS NOT TO BE COPIED OR USED WITHOUT THE APPROVAL OF MICRO SWITCH.

ISSUE 7

CATALOG LISTING
2B SERIES CHART 1
PAGE 1 OF 1
RELEASE NO. CO 13769 (PR)
REPLACES
DRAWING NUMBER
M
ISSUE
415
6118



TYPE 1

FOR PANEL .06-.19 THICKNESS

TYPE 2

FOR PANEL .19-.31 THICKNESS

REVISIONS

| | |
|---|--------------------------------|
| A | CO-82436 JALA 7 FEB 96 |
| B | CO-83029 CSL 29 AUG 96 |
| C | CO-93124 G J W 11 SEP 98 |
| D | CO-95794 CSL 28 JAN 00 |
| E | 201724 G J W 14 NOV 00 |

CATALOG LISTINGS

MOUNTING

COLOR

SHORT - BARRIER

A = 1.010 ± .030 B = .810 MAX

LONG - BARRIER

A = 1.250 ± .030 B = 1.050 MAX

| COLOR | SHORT - BARRIER | | LONG - BARRIER | |
|-----------------|-----------------|--------|----------------|--------|
| | TYPE 1 | TYPE 2 | TYPE 1 | TYPE 2 |
| GRAY | 2 B 1 | 2 B 5 | 2 B 2 | (D) |
| BLACK | 2 B 3 | 2 B 7 | 2 B 4 | 2 B 8 |
| WHITE | 2 B 10 | 2 B 12 | (E) | (B) |
| RED | 2 B 11 | (C) | (D) | (A) |
| BLUE | (A) | (A) | (A) | (A) |
| BROWN | | | (A) | (A) |
| LIGHT BEIGE | | (A) | | |
| GREEN | 2 B 48 | | (A) | |
| GRAY | | (A) | | |
| GREENISH - BLUE | (A) | | | |
| BLUE | (C) | | | |

RASTER

DRAWN

RE R 19 SEP 67 CHECK L S D 19 SEP 67 CHECK