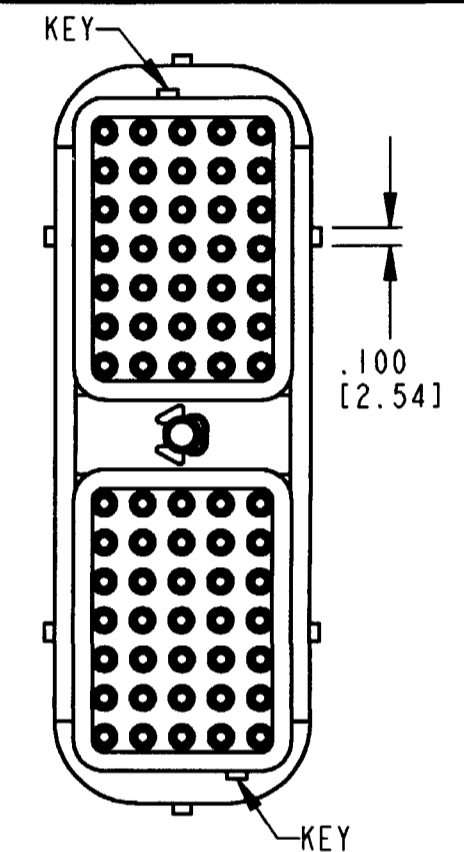
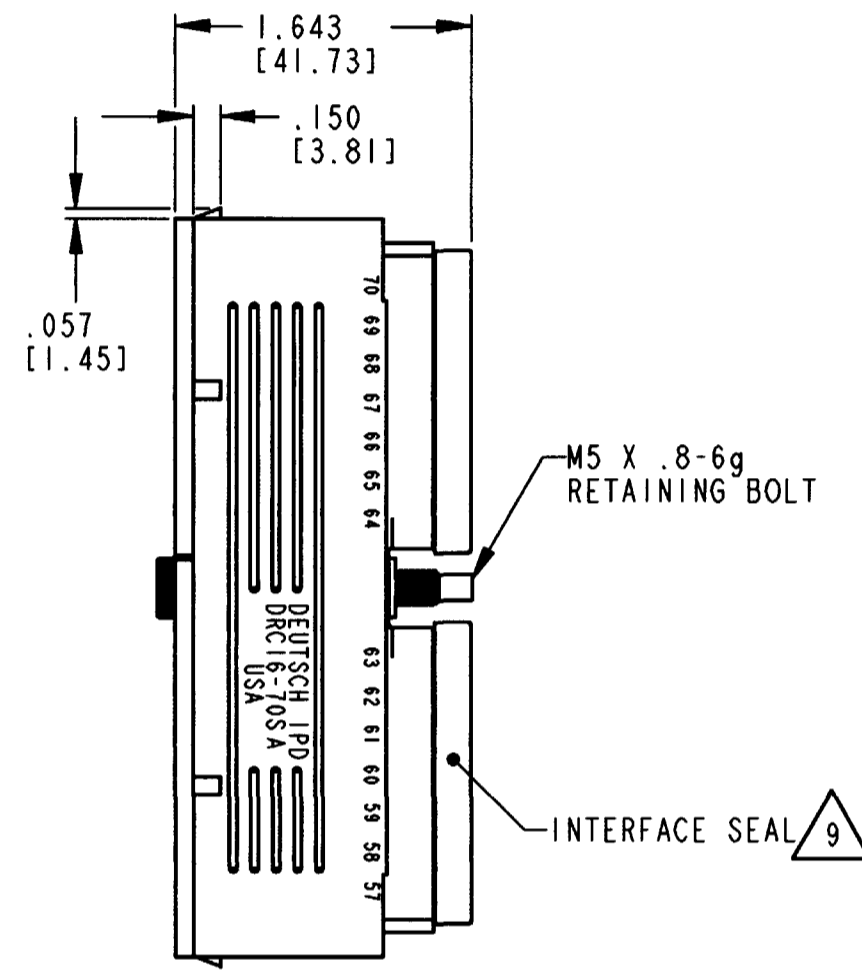
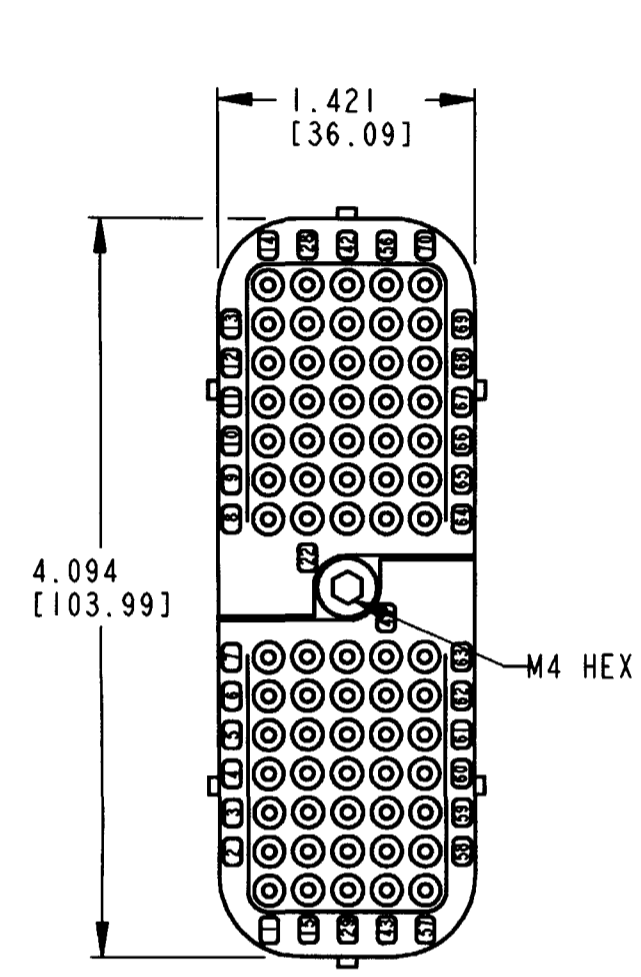


REV  
A  
DRC16-70S\*P013

REVISIONS			
SYM	DESCRIPTION	DATE	APPROVED
NC	NEW RELEASE PER E.O. P15136	11-15-96	RDR
A	REVISED PER E.O. P17733	4-16-02	RDR



- 8. MATING TORQUE REQUIREMENT: 25-28 IN-LB [2.82-3.13 Nm].
  - 7. SEE SHEET 2 FOR OTHER KEY ARRANGEMENTS.
  - 6. MATERIAL- PLUG: PLASTIC; SEAL/GROMMET: RUBBER; RETAINING BOLT: STEEL.
  - 5. THIS PLUG MATES WITH DRC12-70P\*-\*\*\*\*; DRC13-70P\*-\*\*\*\* AND DRC14-70P\*-\*\*\*\* RECEPTACLE. (\*=A,B,C,D KEYS; \*\*\*\*=ALL MODIFICATIONS). CONSULT FACTORY FOR MODS.
  - 4. FOR CONTACTS AND WIRE PERFORMANCE AND APPLICATION CHARACTERISTICS, SEE ENVELOPE DRAWING 0425-015-0000.
  - 3. PLUG SUPPLIED WITH DUST CAP. (NOT SHOWN).
  - 2. DIMENSION TOLERANCE: ±.025 [.64].
  - 1. DIMENSIONS ARE IN INCHES [mm].
- NOTES: UNLESS OTHERWISE SPECIFIED

MIN. INSUL. O.D.	MAX. INSUL. O.D.	WIRE RANGE [mm <sup>2</sup> ] REF ONLY
.100 [2.54]	.134 [3.40]	14-20 AWG [2.0-0.50]

9. PART MODIFICATION: INTERFACE SEALS ARE BONDED TO PLUG HOUSING.

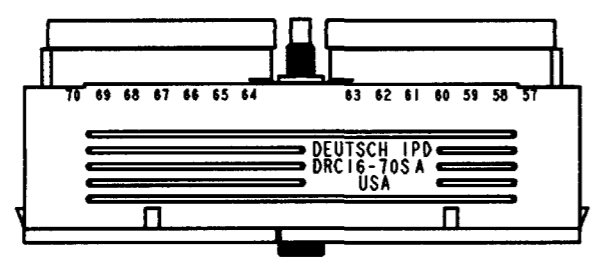
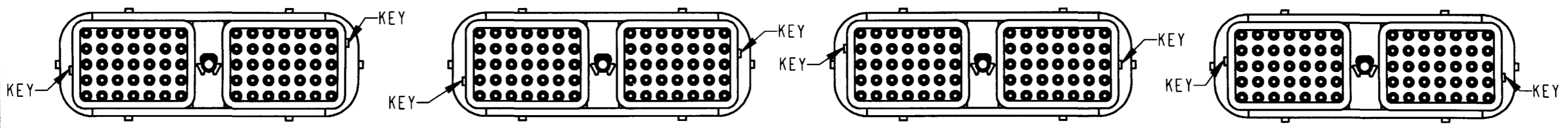
SIGNATURE & DATE	
DR	D. MEYER 04/15/02
CHK	[Signature] 4/15/02
PE	[Signature] 4/15/02
APPD	R. Reed 4-16-02
SCALE	NONE WT

PLUG  
70 SIZE 16  
KEYS: A,B,C,D  
COLOR: BLACK  
DRC SERIES  
ENVELOPE

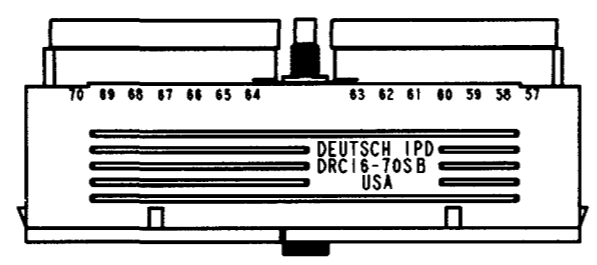
CP	MATL. CODE
<b>The Deutsch Company</b> DEUTSCH I.P.D. 3850 INDUSTRIAL AVE. HEMET, CALIF. 92545	
<b>B</b>	<b>DRC16-70S*P013</b>
DWG SIZE	CODE 11139 SHEET 1 OF 2

REV A DRC16-70S\*P013

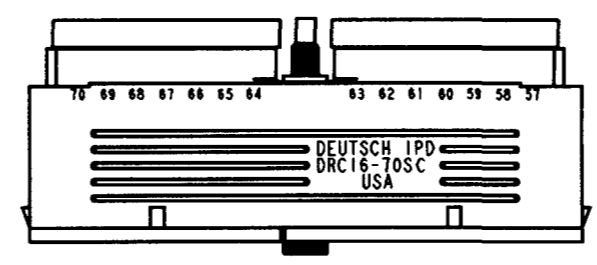
REVISIONS			
SYM	DESCRIPTION	DATE	APPROVED
	SEE SHEET 1	4-16-02	ROR



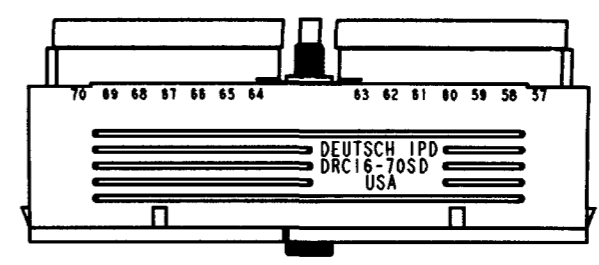
DRC16-70SA-P013  
KEY: -A-



DRC16-70SB-P013  
KEY: -B-



DRC16-70SC-P013  
KEY: -C-



DRC16-70SD-P013  
KEY: -D-

NOTES:

SIGNATURE & DATE		PLUG 70 SIZE 16 KEYS: A, B, C, D COLOR: BLACK DRC SERIES ENVELOPE	CP	MATL. CODE	
DR	D. MEYER 04/15/02		<b>The Deutsch Company</b> DEUTSCH I.P.D. 3850 INDUSTRIAL AVE. HEMET, CALIF. 92545		
CHK	<i>[Signature]</i>		<b>B</b> DRC16-70S*P013	DWG SIZE	SHEET 2 OF 2
PE	<i>[Signature]</i>			CODE	11139
APPD	<i>[Signature]</i> 4-16-02				
SCALE	NONE	WT			