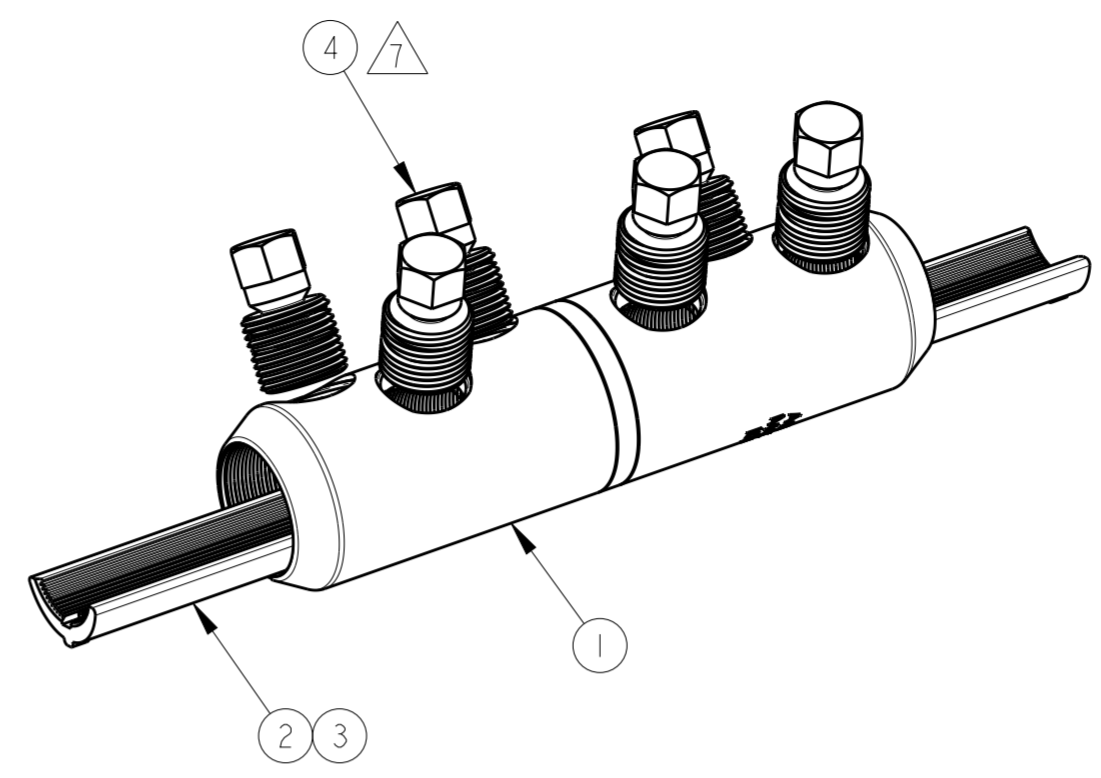
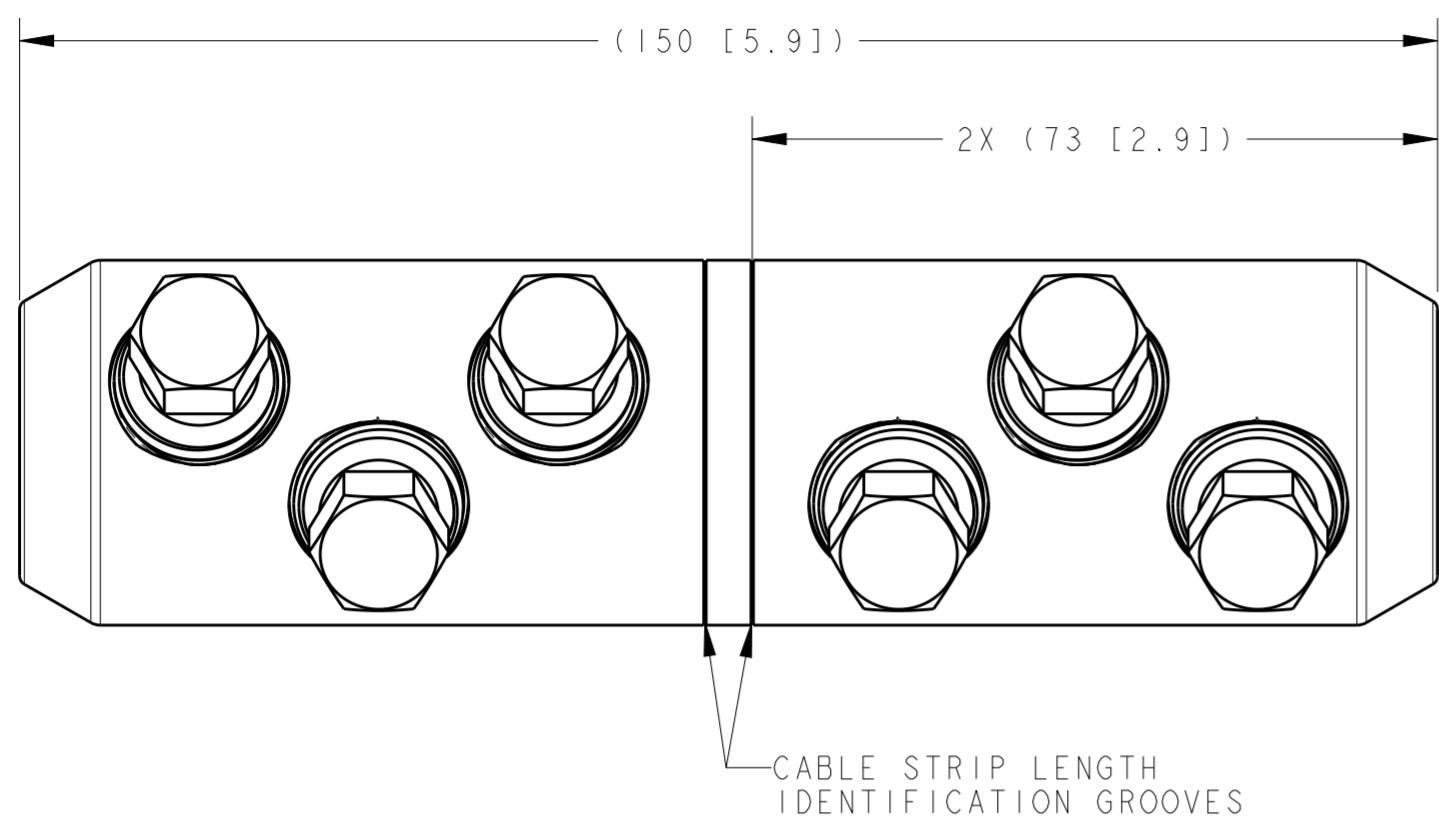
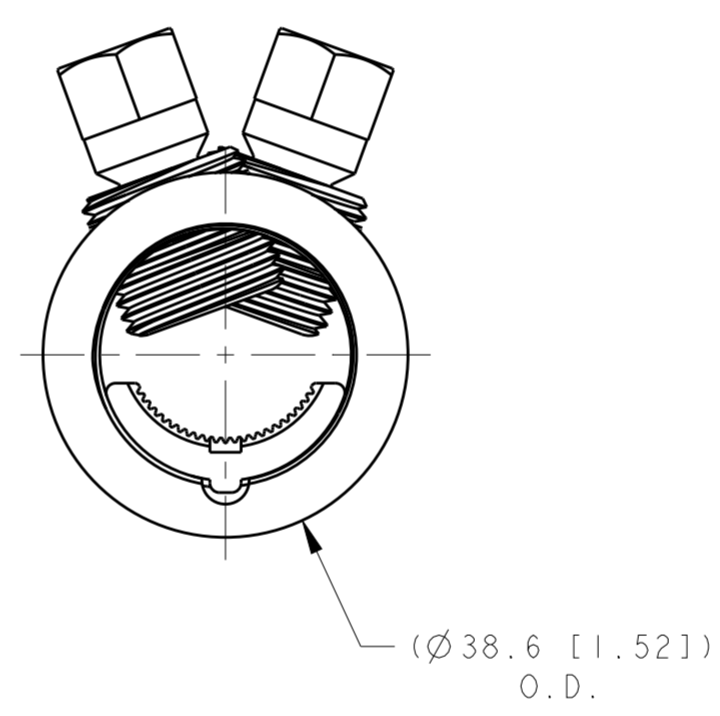
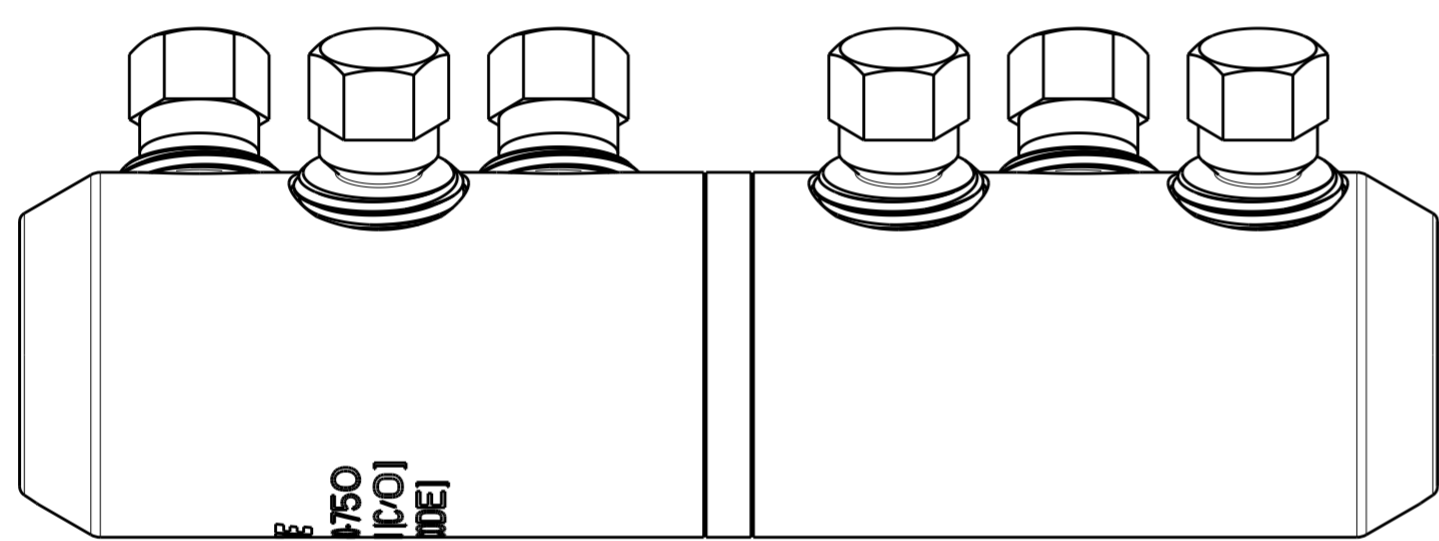


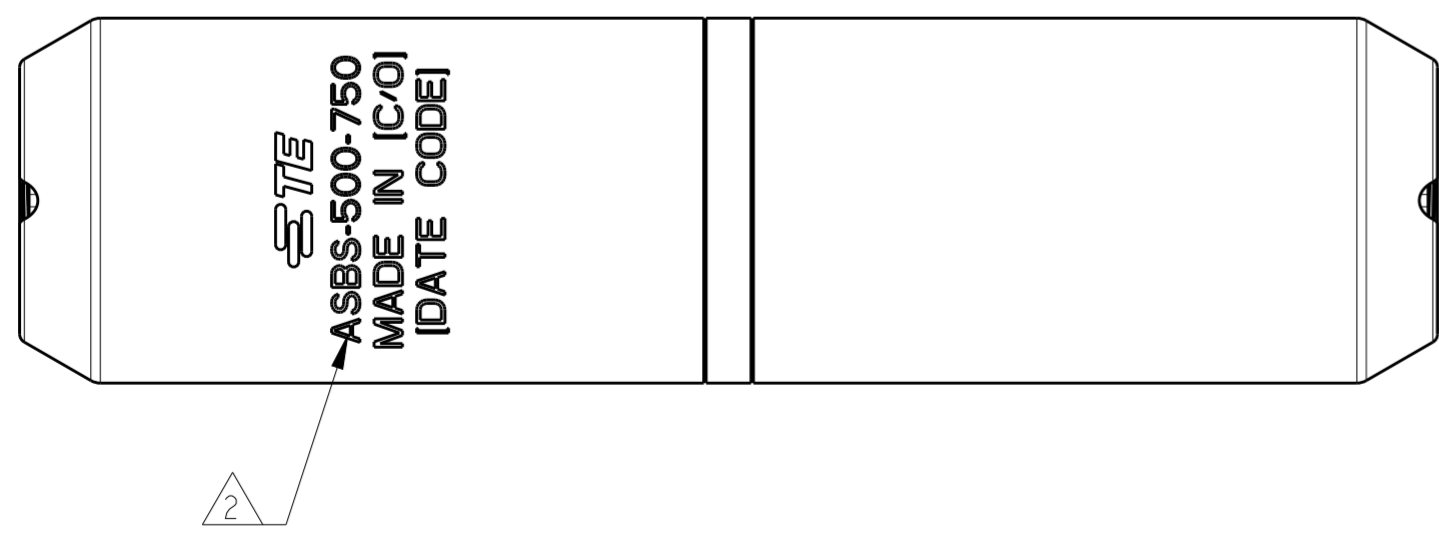
REVISIONS					
P	LTR	DESCRIPTION	DATE	DWN	APVD
	H	LC20-0090-20 / ECO-20-015479	30OCT2020	DM	BJ



- ACCOMMODATES:  
500 KCMIL TO 750 KCMIL ALUMINUM OR COPPER CONDUCTORS.
- MARKING:  
**STE**  
ASBS-500-750  
MADE IN [COUNTRY OF ORIGIN]  
[DATE CODE]
- ALL DIMENSIONS ARE FOR REFERENCE ONLY.
- INSERT SHALL BE REMOVED FOR CONDUCTOR SIZES GREATER THAN 600 KCMIL COMPACT STRANDED (.813 [20.6] CONDUCTOR DIAMETER)
- CONNECTOR CONTAINS FACTORY APPLIED ANTI-OXIDE INHIBITOR.
- FINISH:  
ELECTRO-TIN PLATED.
- INSTALL BOLTS WITH 13 mm [1/2 inch] HEX SOCKET.



ASBS-500-750	1099735-1
CATALOG NO	PART NO.



QTY	DESCRIPTION	ITEM NO
1	INSTALLATION INSTRUCTION SHEET, 408-8990	6
1	ABRASIVE TAPE, 1X24-120 G	5
6	BOLT, MULTI-SHEAR, M18 SIZE, ALUMINUM	4
A/R	INHIBITOR	3
2	INSERT, SHEARBOLT CONNECTOR, ALUM ALLOY, TIN PLATED	2
1	SHEARBOLT CONNECTOR BODY, ALUMALLOY, TIN PLATED	1
-1		
PARTS LIST		

THIS DRAWING IS A CONTROLLED DOCUMENT.

DIMENSIONS: mm [INCHES]	TOLERANCES UNLESS OTHERWISE SPECIFIED: 0 PLC ± 1 PLC ± 2 PLC ± 3 PLC ± 4 PLC ± ANGLES ± FINISH	DWN: D. ROBITALLE 10SEP2004 CHK: A. BULZA 14JAN2005 APVD: B. JOHNSON 18JAN2005	TE Connectivity	
MATERIAL: SEE BOM	FINISH: TIN PLATED	PRODUCT SPEC	NAME: SHEARBOLT CONNECTOR, ALUMINUM, SOLID OIL STOP, 500 CPT-750 STD KCMIL	
		APPLICATION SPEC	SIZE: A2	CAGE CODE: 00779
		WEIGHT: -	DRAWING NO: C-1099735	
		CUSTOMER DRAWING	SCALE: NTS	SHEET: OF