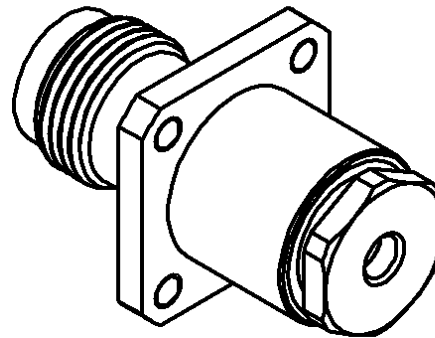
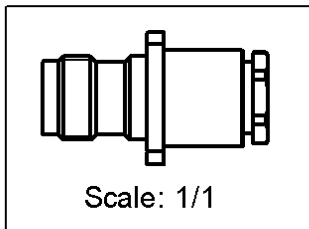
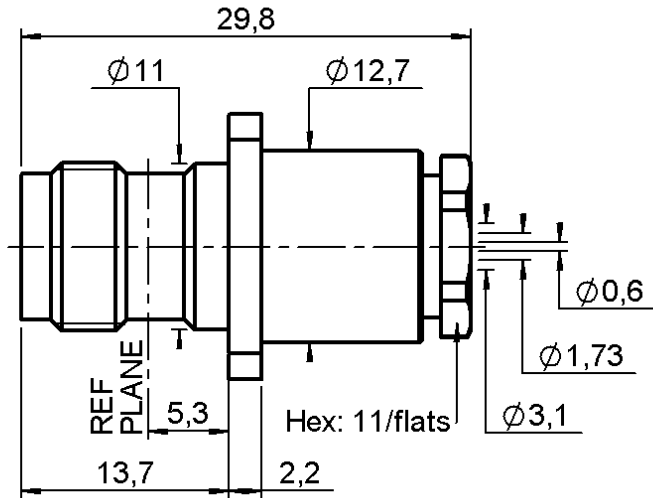
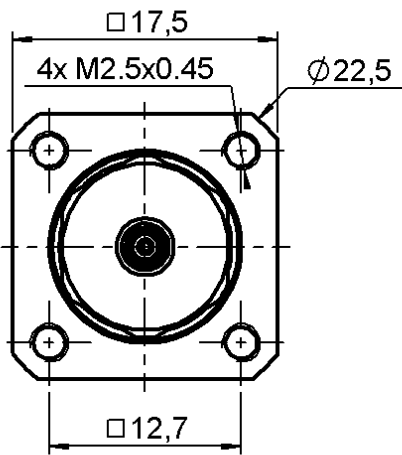


**STRAIGHT SQUARE FLANGE JACK**

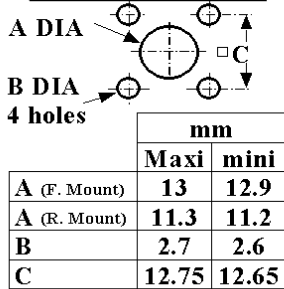
**R143.254.000**

**CLAMP TYPE - CABLE 2.6/50+75**

Series : TNC



**PANEL CUT OUT**



All dimensions are in mm.



COMPONENTS	MATERIALS	PLATINGS (µm)
BODY	BRASS	NICKEL 2
CENTER CONTACT	BERYLLIUM COPPER	GOLD 0.5 OVER NICKEL 2
OUTER CONTACT	-	-
INSULATOR	PTFE	-
GASKET	SILICONE RUBBER	-
OTHERS PARTS	BRASS	NICKEL 2
-	-	-
-	-	-

Issue : 0701 K

In the effort to improve our products, we reserve the right to make changes judged to be necessary.



**STRAIGHT SQUARE FLANGE JACK**

**R143.254.000**

**CLAMP TYPE - CABLE 2.6/50+75**

Series : TNC

**PACKAGING**

Standard	Unit	Other
<b>1</b>	-	<b>Contact us</b>

**SPECIFICATION**

**ELECTRICAL CHARACTERISTICS**

Impedance	<b>50</b>	$\Omega$
Frequency	<b>0-11</b>	GHz
VSWR	<b>1.40* + 0,0000</b>	x F(GHz) Maxi
Insertion loss	<b>0.06</b>	$\sqrt{F}$ (GHz) dB Maxi
RF leakage	- ( <b>57</b> )	- F(GHz)) dB Maxi
Voltage rating	<b>335</b>	Veff Maxi
Dielectric withstanding voltage	<b>1000</b>	Veff mini
Insulation resistance	<b>5000</b>	M $\Omega$ mini

**CABLE ASSEMBLY**

Stripping	a	b	c	d	e	f
mm	4,00	2,00	9,00	0,00	5,00	0,00

Assembly instruction : **Clamp 01**

Recommended cable(s)  
 RG 316  
 KX 22A  
 RG 188  
 RG 179  
 RG 187

Cable retention  
 - pull off **110\*\*** N mini  
 - torque **NA** N.cm

**MECHANICAL CHARACTERISTICS**

Center contact retention		
Axial force – Mating end	<b>27</b>	N mini
Axial force – Opposite end	<b>27</b>	N mini
Torque	<b>NA</b>	N.cm mini

**TOOLING**

Part Number	Description	Hexagon
.	.	.

Recommended torque		
Mating	<b>NA</b>	N.cm
Panel nut	<b>NA</b>	N.cm
Clamp nut	<b>450</b>	N.cm
A/F clamp nut	<b>11,0000</b>	mm

**OTHERS CHARACTERISTICS**

\*1.40 from 0 to 3.8Ghz and 2 at 11Ghz  
 \*\* typical value

Mating life	<b>500</b>	Cycles mini
Weight	<b>21,6980</b>	g

**ENVIRONMENTAL**

Operating temperature	<b>-65/+165</b>	$^{\circ}$ C
Hermetic seal	<b>NA</b>	Atm.cm3/s
Panel leakage	<b>NA</b>	

Issue : 0701 K

In the effort to improve our products, we reserve the right to make changes judged to be necessary.

