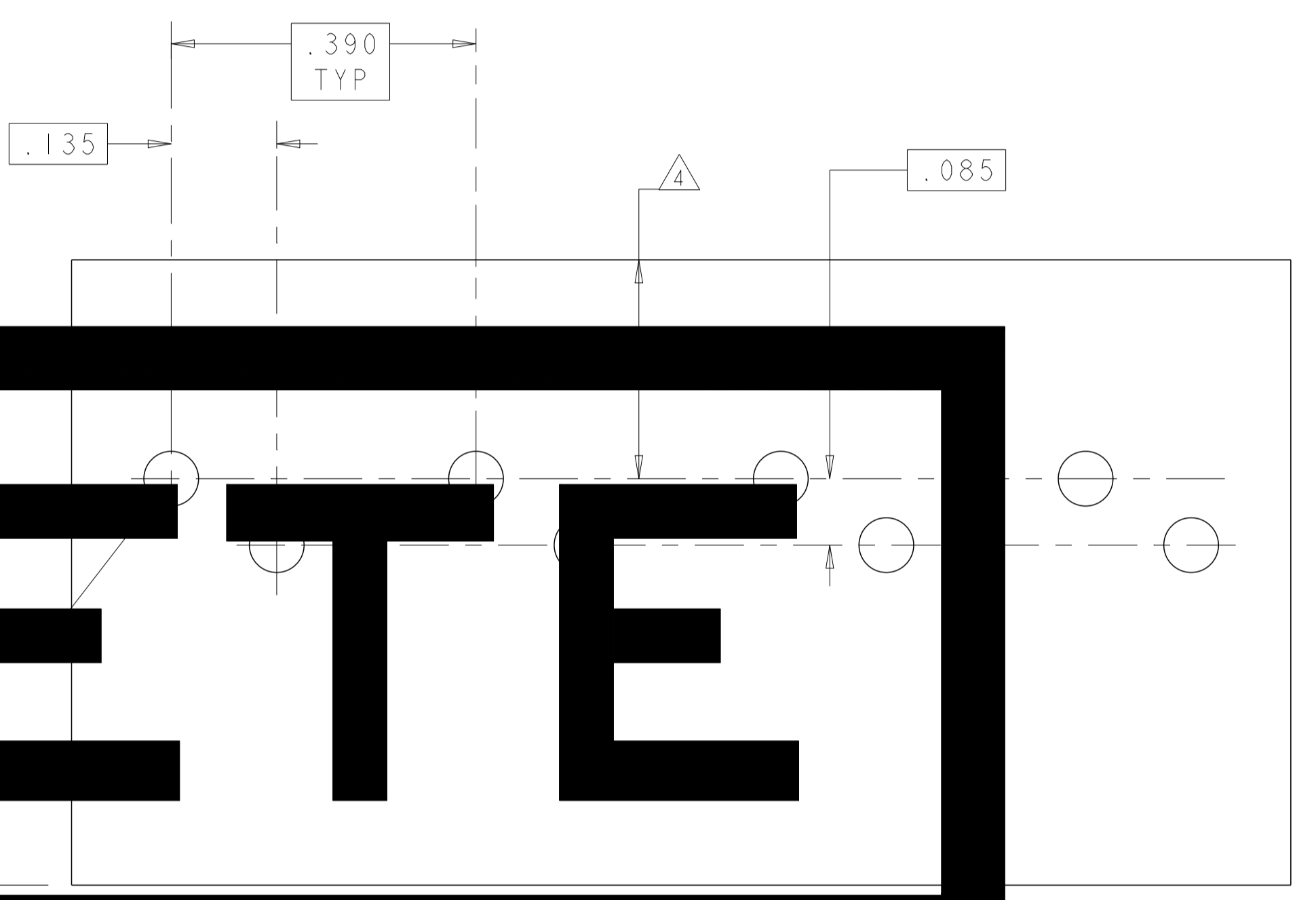
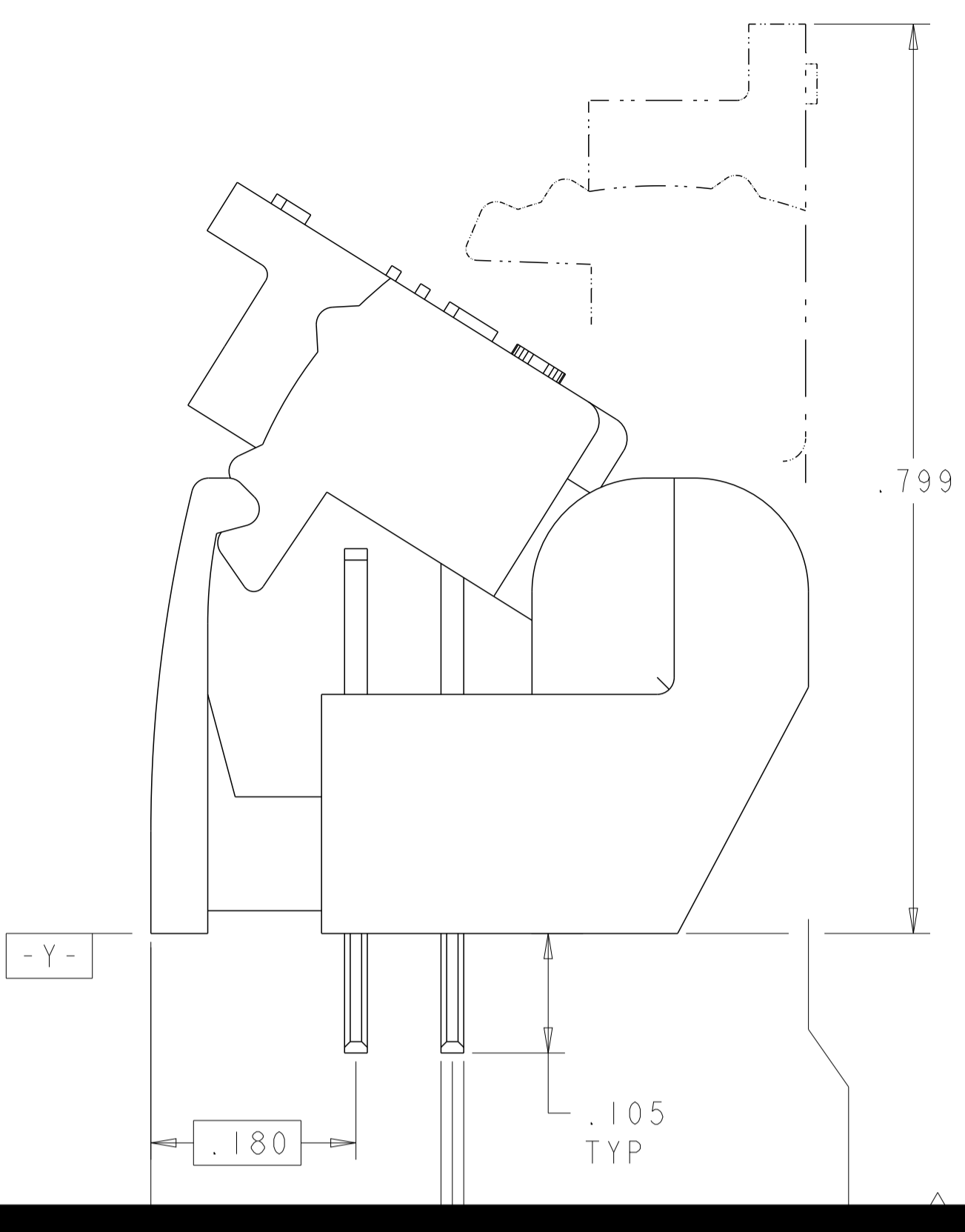
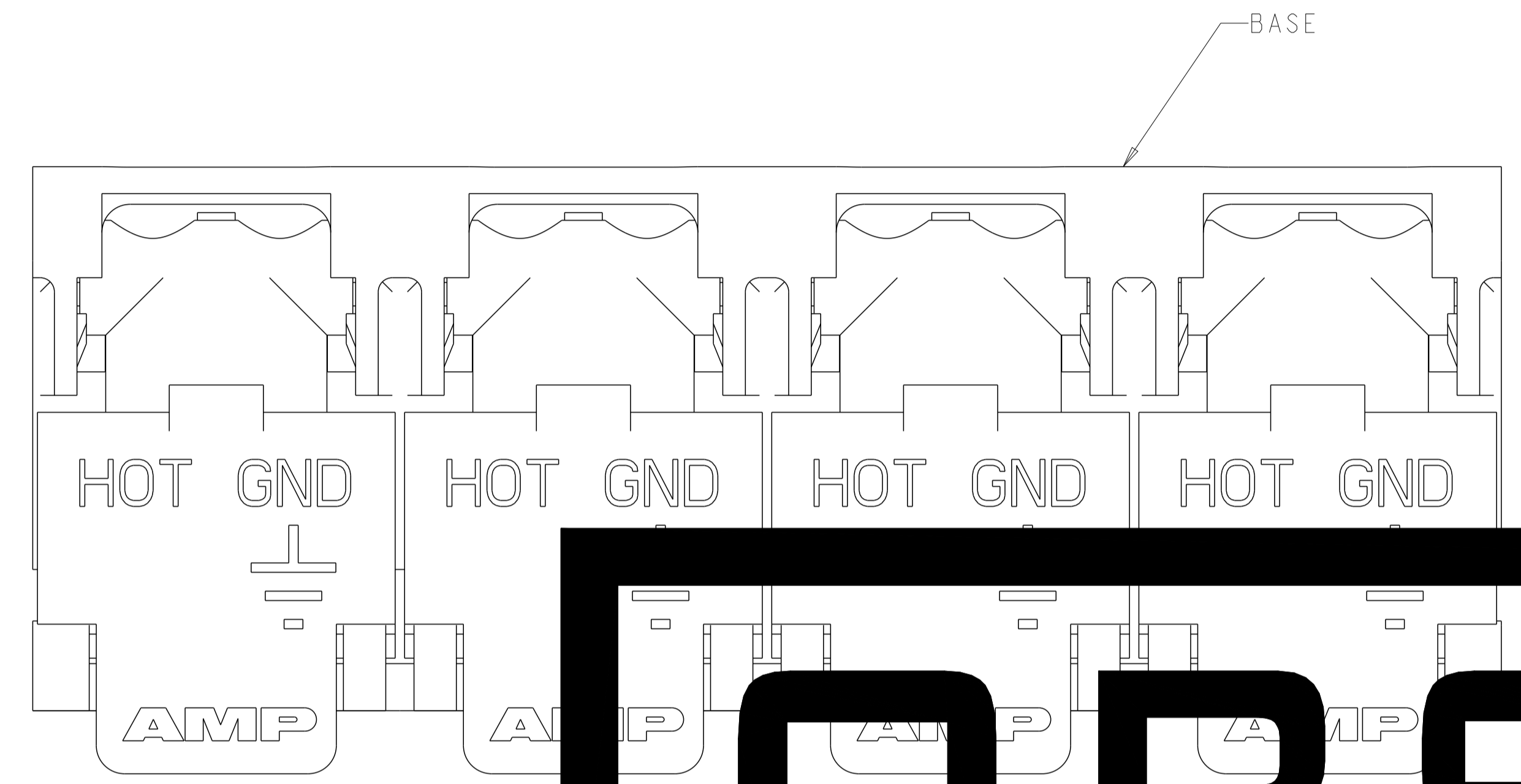


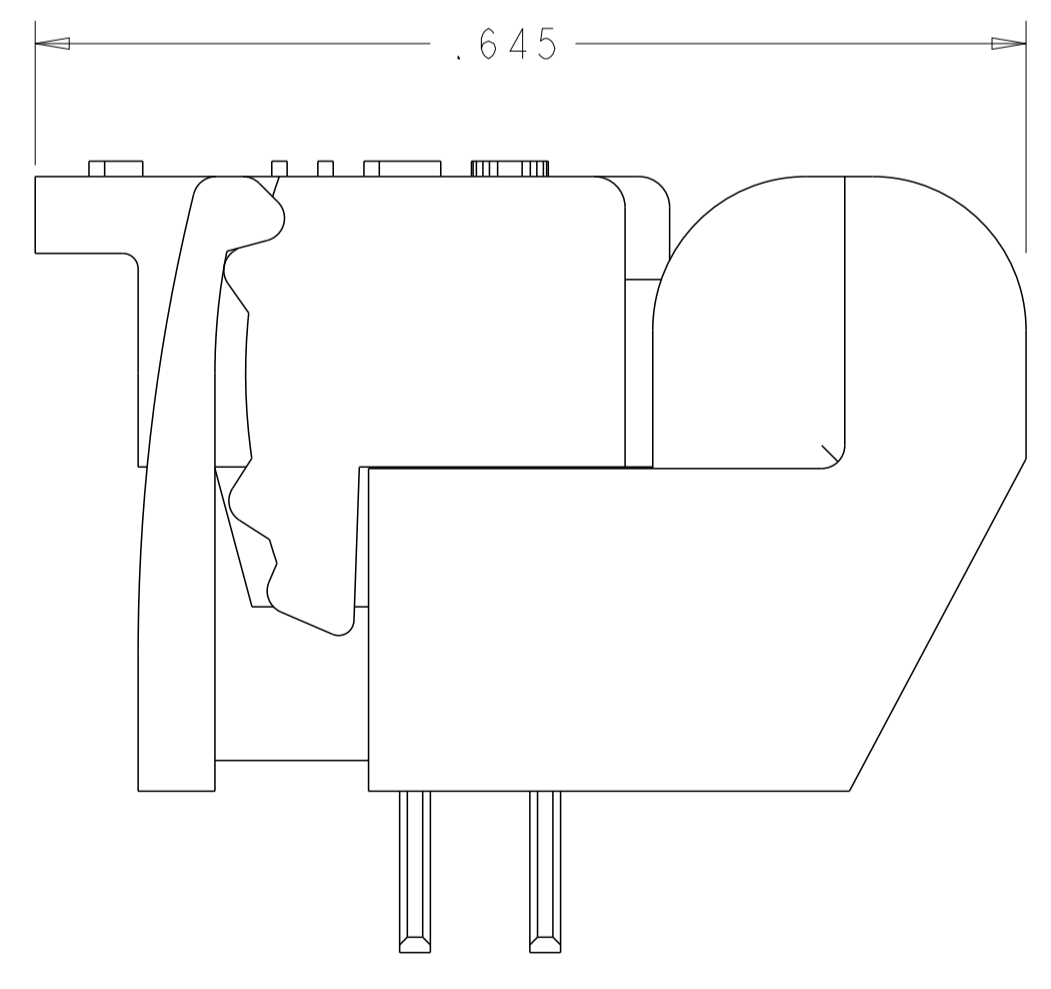
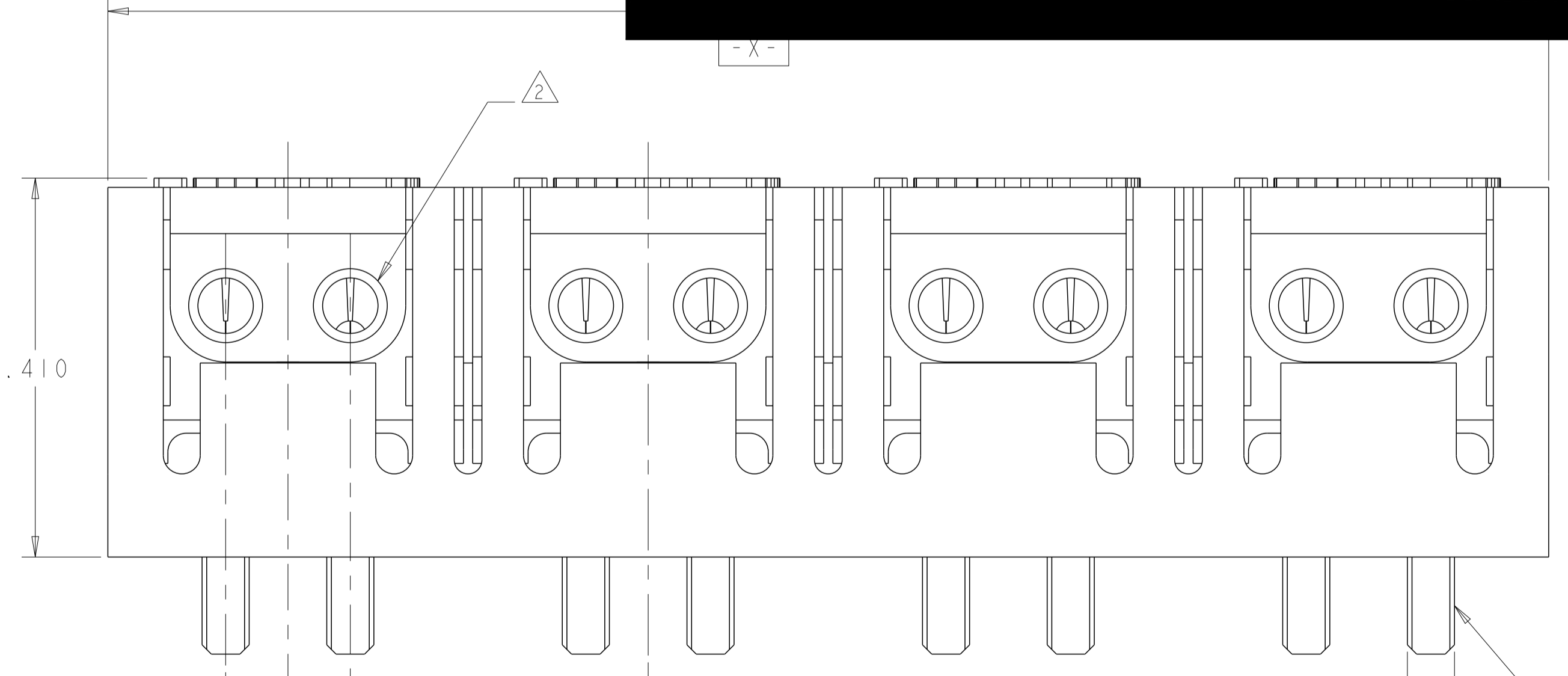
REVISIONS				
P.	LTN	DESCRIPTION	DATE	APVD
D2		REVISED ECR-19-019743	02JUN2020	J. J. W. H.

- ⚠ MATERIAL: BASE - POLYESTER MOLDING COMPOUND, BLACK.
WIRE STUFFER: - POLYESTER MOLDING COMPOUND, BLACK.
TERMINAL - COPPER ALLOY, PLATED WITH 3.81μm MINIMUM THICK TIN OVER 1.27μm MINIMUM THICK NICKEL UNDERPLATE.
- ⚠ EACH WIRE ENTRY HOLE ACCEPTS ONE UNSTRIPPED SOLID COPPER 22-26 AWG WIRE WITH WIRE INSULATION DIAMETER RANGE FROM .060 THROUGH .040. OTHER WIRE SIZES AND TYPES SHALL BE SUBMITTED TO AMP ENGINEERS FOR APPLICATION APPROVAL.
- 3. SOLDER TABS PROVIDED FOR PERMANENT BOARD MOUNTING.
- ⚠ LOCATION OF HOLE PATTERN DETERMINED BASED ON CUSTOMER REQUIREMENTS.



OBSOLETE

SUGGESTED PRINTED CIRCUIT BOARD MOUNTING DIMENSIONS VIEWED FROM SOLDER SIDE



1339312-1
PART NUMBER

THIS DRAWING IS A CONTROLLED DOCUMENT.		DWN: K. ZARBOCK 28APR00	
DIMENSIONS: INCHES		CHK: M. DERSTINE 28APR00	
TOLERANCES UNLESS OTHERWISE SPECIFIED:		APVD: M. DERSTINE 28APR00	NAME: ASSEMBLY, FOUR PAIR, DOUBLE ENTRY, PIVOT II CONNECTOR
0 PLC ±	1 PLC ±.01	PRODUCT SPEC	APPLICATION SPEC
2 PLC ±.005	3 PLC ±.005	SIZE	SCALE
4 PLC ±	ANGLES ±2°	WEIGHT	RESTRICTED TO
MATERIAL	FINISH	CAGE CODE	DRAWING NO.
		A 100779	C=1339312
CUSTOMER DRAWING		SCALE: 8:1	SHEET 1 OF 1 REV D2