

6

5

4

3

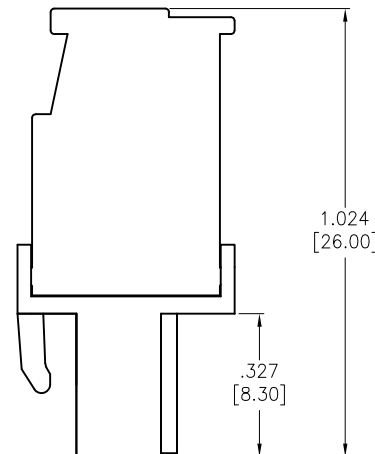
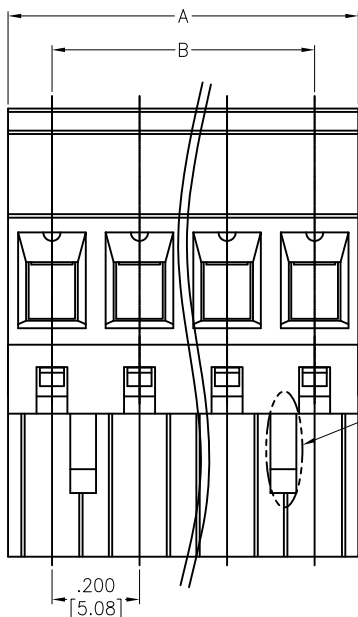
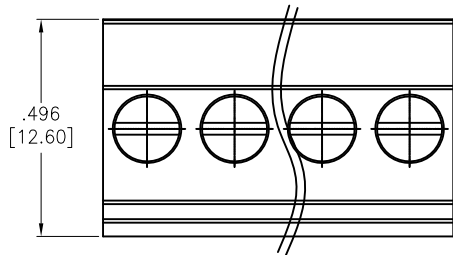
2

1

APPROVED: _____

DATE: _____ TITLE: _____

Rev	AWO #	Description	Date	Appr
-		RELEASED	5/2/14	
A		UPDATE DRAWING	10/20/20	LH/EY



SPECIFICATIONS:

Material:
 Insulator: PA66, rated UL 94V-0
 Insulator color: Green
 Wire guard: M3,
 Contact: Copper Alloy, Nickel Plated
 Electrical:
 Voltage rated: 300 V
 Current rating: 15 Amp
 Dielectric withstanding voltage: 1,600 V for 1 minute
 Wire range: 28-12 AWG
 Torque: 0.2 N-m
 Wire strip length: 7-8mm
 Temperature Rating:
 Operating temperature: -40°C to +105°C
 Environmental:
 Lead free, RoHS compliant.



Positions: 2 thru 24
 A = .200 [5.08] x No. of Positions
 B = .200 [5.08] x No. of Spaces

UNLESS OTHERWISE SPECIFIED ALL DIMENSIONS ARE INCHES [MM] TOLERANCES: EXCEPT AS NOTED		
INCHES HOLES		
.X ± .10	Ø.X ± .10	
.XX ± .020	Ø.XX ± .015	
.XXX ± .015	Ø.XXX ± .010	
APPROVALS		DATE
DRAWN	HR	5/2/14
CHECKED	SY	5/2/14
APPROVED		

ADAM TECH 909 Rahway Avenue,
 Union, NJ 07083
 Phone: 908-687-5000
 Fax: 908-687-5710

TITLE EURO BLOCK, .200 [5.08] PITCH			
SIZE X	PART NO. EB9A-XX-D	REV. A	
REF: S00067C	SCALE: NTS	SHEET 1 OF 1	

6

5

4

3

2

1