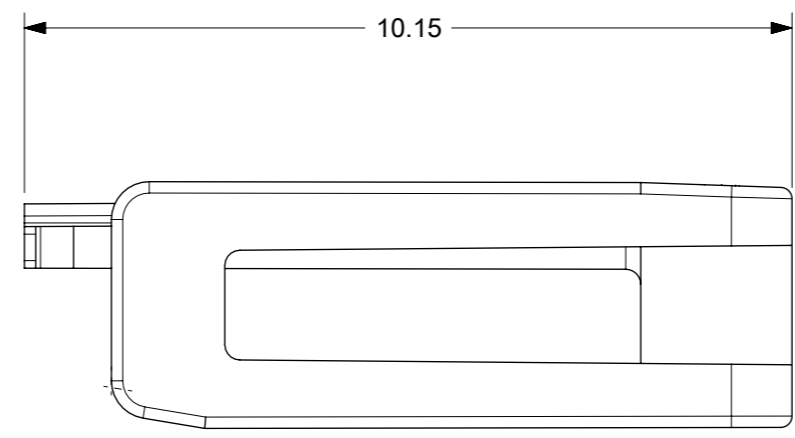
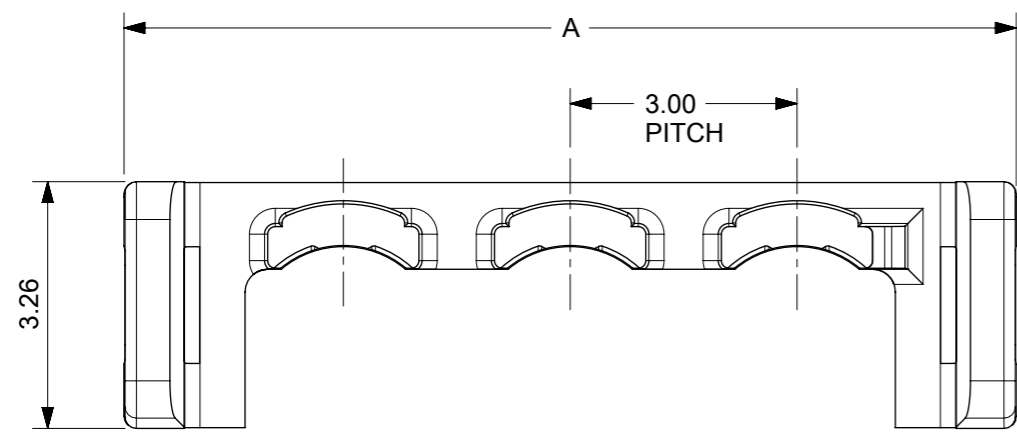
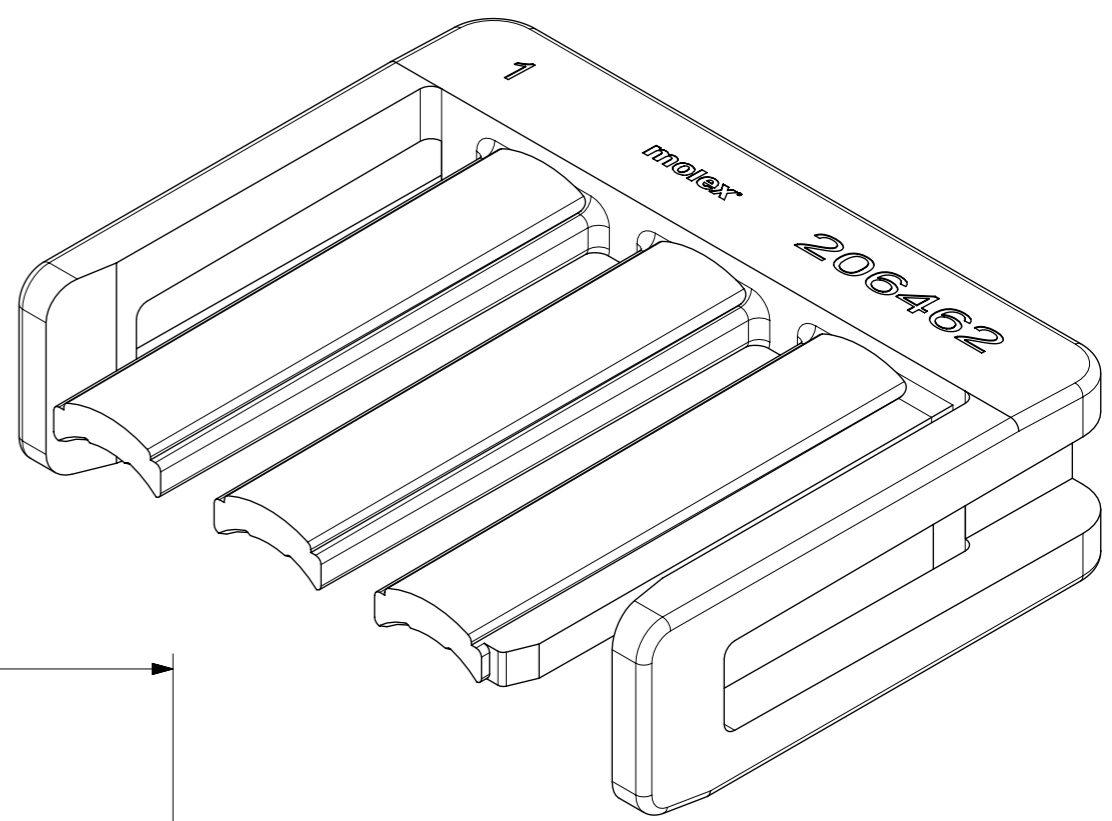


10 9 8 7 6 5 4 3 2 1

F  
E  
D  
C  
B  
A



PART NO.		CKT	A	NOTE
MATERIAL "0"	MATERIAL "1"			
2064620100	2064620110	1	5.80	*DESIGNATES PART NOT RELEASED
2064620200	2064620210	2	8.80	
2064620300	2064620310	3	11.80	
2064620400	2064620410	4	14.80	
2064620500	2064620510*	5	17.80	
2064620600	2064620610*	6	20.80	
2064620700	2064620710*	7	23.80	
2064620800	2064620810*	8	26.80	
2064620900	2064620910*	9	29.80	
2064621000	2064621010*	10	32.80	
2064621100	2064621110*	11	35.80	
2064621200	2064621210*	12	38.80	

**NOTES:**

- MATERIAL:**  
 "0": NYLON, UL 94V-0, GLOW-WIRE CAPABLE, COLOR: NATURAL  
 "1": NYLON, UL 94V-0, LOW HALOGEN, COLOR: NATURAL
- THESE PARTS ARE USED WITH 206461 HOUSING SERIES
- SHALL CONFIRM TO PRODUCT SPECIFICATION : 2064600000-PS
- COMPLY WITH PACKAGING SPECIFICATION : 2064620000-PK
- COSMETIC SPECIFICATION: PS-45499-002 CLASS B.

THIS DRAWING CONTAINS INFORMATION THAT IS PROPRIETARY TO MOLEX ELECTRONIC TECHNOLOGIES, LLC AND SHOULD NOT BE USED WITHOUT WRITTEN PERMISSION									
DIMENSION UNITS <b>mm</b>		SCALE <b>NTS</b>		CURRENT REV DESC:				<b>molex</b>	
GENERAL TOLERANCES (UNLESS SPECIFIED)				EC NO: 722782					
ANGULAR TOL ± 0.5 °				DRWN: ZIXUAQ 2022/07/08				TPA MICRO-FIT + SOLUTION	
4 PLACES ±		3 PLACES ±		CHK'D: XQZHANG 2022/09/28					
2 PLACES ± 0.25		1 PLACE ± 0.35		APPR: XQZHANG 2022/09/28				PRODUCT CUSTOMER DRAWING	
0 PLACES ±		INITIAL REVISION:		DRWN: SMAHAJANSHET 2018/05/08					
DRAFT WHERE APPLICABLE MUST REMAIN WITHIN DIMENSIONS				THIRD ANGLE PROJECTION		DRAWING <b>A3-SIZE</b>		SERIES <b>206462</b>	
DOCUMENT NUMBER <b>2064620000-SD</b>		DOC TYPE <b>PSD</b>		DOC PART <b>000</b>		REVISION <b>B</b>		SHEET NUMBER <b>1 OF 1</b>	
MATERIAL NUMBER SEE TABLE		CUSTOMER GENERAL MARKET							

DOCUMENT STATUS	P1	RELEASE DATE	2022/09/28	08:58:18
-----------------	----	--------------	------------	----------

9 8 7 6 5 4 3 2 1